

# XF3H

For FPC

## Rotary Frontlock Connector (0.3-mm Pitch, Lower Contact)

### High-reliability rotary-front-lock with 0.3-mm pitch and low profile

- Ultra-slim connector with a depth of 3.5 mm.
- Wide molding wall on the rear bottom of the connector allows greater freedom in board design.
- Slider open locking mechanism makes work efficient.
- Gold plated with an applicable FPC thickness of 0.2 mm.
- Halogen Free (\*)

\* OMRON uses the following standard to determine halogen-free construction: 900 ppm max. for Br, 900 ppm max. for Cl, and 1,500 ppm max. for Br+Cl.

RoHS compliant

#### ■ Ratings and Specifications

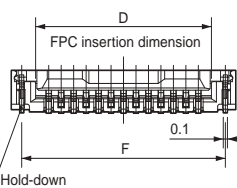
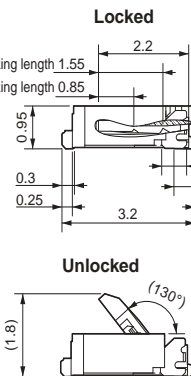
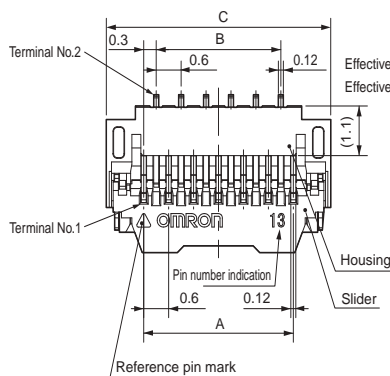
|                               |  |
|-------------------------------|--|
| Rated current                 | 0.2 A AC/DC                                      |
| Rated voltage                 | 50 V AC/DC                                       |
| Contact resistance            | 80 mΩ max. (at 20 mV DC max., 100 mA max.)       |
| Insulation resistance         | 100 MΩ min. (at 250 V DC)                        |
| Dielectric strength           | 250 V AC for 1 min. (leakage current: 1 mA max.) |
| Insertion durability          | 20 times   |
| Ambient operating temperature | -30 to 85 °C (With no icing or condensation)     |

#### ■ Materials and Finish

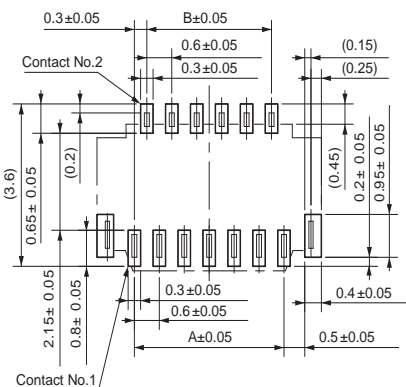
|           |   |
|-----------|---|
| Housing   | LCP resin (UL94 V-0)/natural  |
| Slider    | LCP resin (UL94 V-0)/black  |
| Contacts  | Spring copper alloy/nickel substrate (2 μm)<br>Gold-plated contacts (0.15 μm) |
| Hold-down | Copper alloy/tin plating (2 μm)   |

#### ■ Dimensions

XF3H-□□55-31AR



#### PCB Dimensions (TOP VIEW)



#### Recommended FPC Dimensions

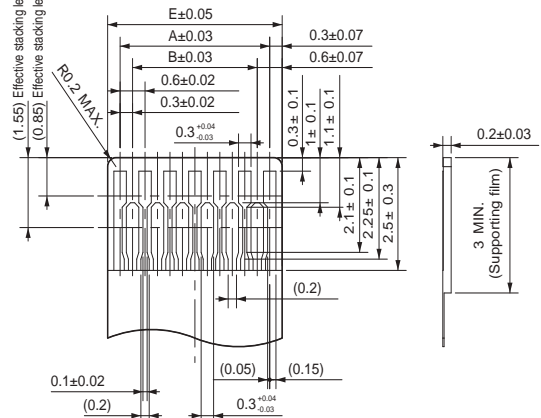


Table of Dimensions

| Pins*1 | Model          | A    | B    | C    | D     | E    | F    |
|--------|----------------|------|------|------|-------|------|------|
| 13     | XF3H-1355-31AR | 3.6  | 3.0  | 5.4  | 4.23  | 4.2  | 4.9  |
| 25     | XF3H-2555-31AR | 7.2  | 6.6  | 9.0  | 7.83  | 7.8  | 8.5  |
| 35     | XF3H-3555-31AR | 10.2 | 9.6  | 12.0 | 10.83 | 10.8 | 11.5 |
| 39     | XF3H-3955-31AR | 11.4 | 10.8 | 13.2 | 12.03 | 12.0 | 12.7 |
| 45     | XF3H-4555-31AR | 13.2 | 12.6 | 15.0 | 13.83 | 13.8 | 14.5 |
| 51     | XF3H-5155-31AR | 15.0 | 14.4 | 16.8 | 15.63 | 15.6 | 16.3 |

#### ■ Ordering Information

| Pins*1 | Model          | Quantity per reel (unit)*2 |
|--------|----------------|----------------------------|
| 13     | XF3H-1355-31AR | 3,000                      |
| 25     | XF3H-2555-31AR |                            |
| 35     | XF3H-3555-31AR |                            |
| 39     | XF3H-3955-31AR |                            |
| 45     | XF3H-4555-31AR |                            |
| 51     | XF3H-5155-31AR |                            |

- \*1. Please consult your OMRON representative for available pin count.
- \*2. Please order by integer multiple of the quantity per reel.

XF3H

# Mouser Electronics

Authorized Distributor

Click to View Pricing, Inventory, Delivery & Lifecycle Information:

Omron:

[XF3H-3555-31AR](#) [XF3H-5155-31AR](#) [XF3H-3955-31AR](#) [XF3H-1355-31AR](#) [XF3H-4555-31AR](#) [XF3H-2555-31AR](#)