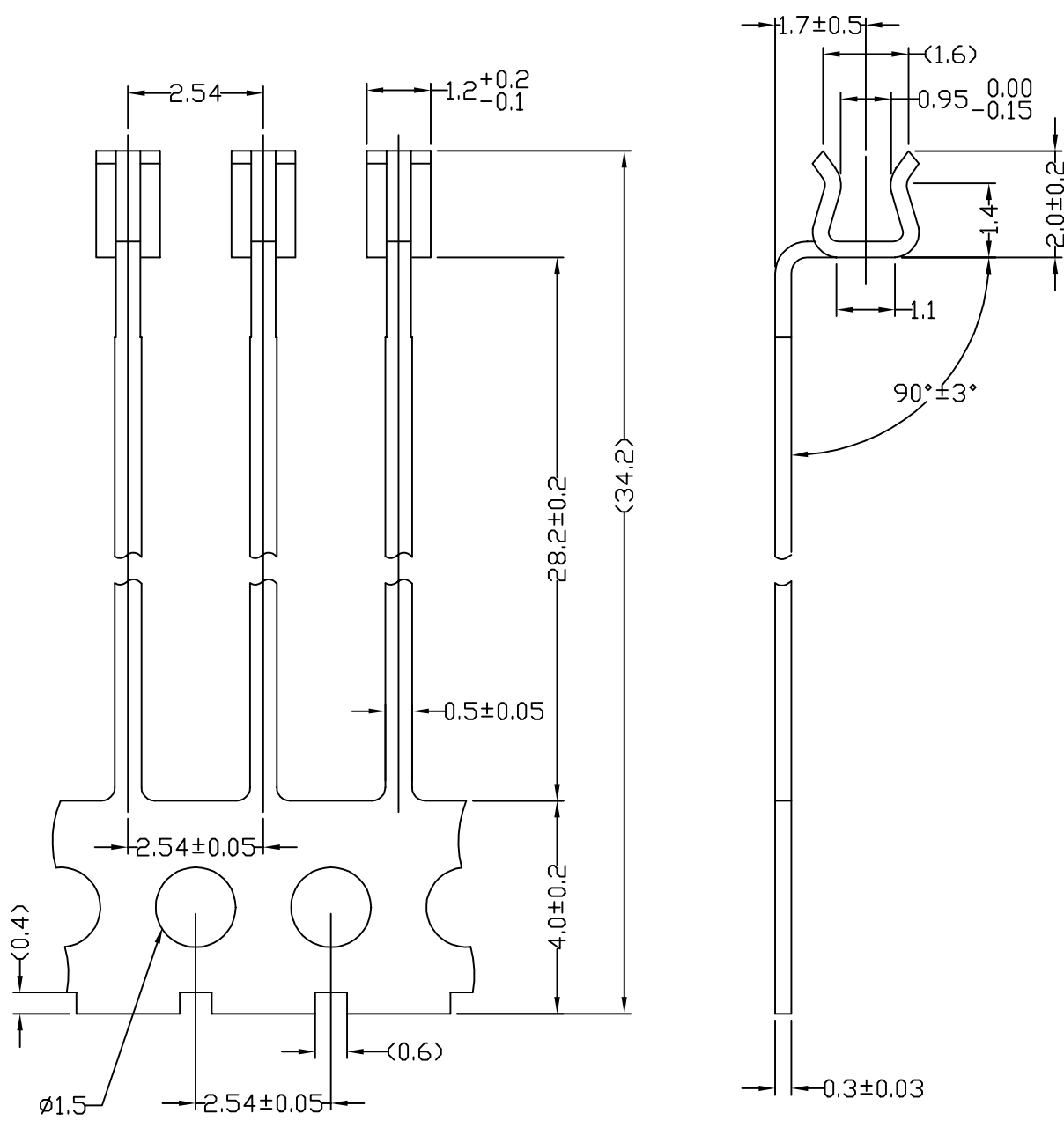


4 | 3 | 2 | 1

E
D
C
B
A

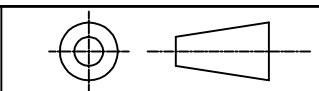
E
D
C
B
A



ALLOWANCE	F	G	H	J	K	L	M	N
UNDER 8	±0.05	±0.1	±0.1	±0.2	±0.2	±0.4	±0.4	±1.0
8 TO 25	0.08	0.15	0.15	0.3	0.3	0.6	0.6	1.5
25 TO 80	0.12	0.2	0.25	0.4	0.5	0.8	1.0	2.0
80 TO 250	0.25	0.3	0.4	0.6	0.8	1.2	1.5	3.0
250 TO 800	0.5	0.6	0.8	1.0	1.5	2.0	3.0	6.0
800 TO 2500	1.0	1.0	1.5	1.7	3.0	4.0	6.0	12.0
OVER 2500	2.0	2.0	3.0	3.0	6.0	8.0	12.0	24.0

REV	ZONE - CHANGES	ER*	DATE
			99/11/2

NEXT ISSUED :
 UNLESS OTHERWISE STATED:
 1/ WALL THICKNESS;
 2/ ALL DIM. IN MM
 3/ TOLERANCE:
 X.X+/-
 XX.X+/-
 XXX.X+/-
 4/ TEXTURE;
 5/ COATING;
 6/ DRAFT ANGLE;
 7/ UNSPECIFIED CORNER;



FINISH	
DRAWN	WU
CHECK	
APPROVAL	



TITLE Pin-381-1.0	
MODEL	DWG NO.
SCALE: 8:1	REV. A PAGE 1 OF 1
MAT'L & COLOR	

4 | 3 | 2 | 1

A

A