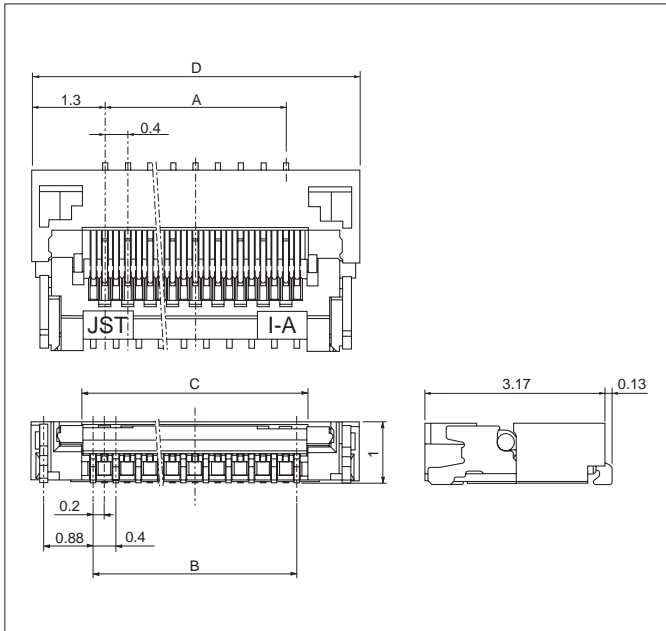


FVX CONNECTOR

Connector



Circuits	Model No.	A	B	C	D	Q'ty / reel
21	21FVX-RSM1-GAN-ETF(S)	3.6	4.0	4.4	6.2	5,000
25	25FVX-RSM1-GAN-ETF(S)	4.4	4.8	5.2	7.0	5,000
29	29FVX-RSM1-GAN-ETF(S)	5.2	5.6	6.0	7.8	5,000
35	35FVX-RSM1-GAN-ETF(S)	6.4	6.8	7.2	9.0	5,000
41	41FVX-RSM1-GAN-ETF(S)	7.6	8.0	8.4	10.2	5,000
51	51FVX-RSM1-GAN-ETF(S)	9.6	10.0	10.4	12.2	5,000
55	55FVX-RSM1-GAN-ETF(S)	10.4	10.8	11.2	13.0	5,000
59	59FVX-RSM1-GAN-ETF(S)	11.2	11.6	12.0	13.8	5,000
63	63FVX-RSM1-GAN-ETF(S)	12.0	12.4	12.8	14.6	5,000
71	71FVX-RSM1-GAN-ETF(S)	13.6	14.0	14.4	16.2	5,000
77	77FVX-RSM1-GAN-ETF(S)	14.8	15.2	15.6	17.4	5,000

Material and Finish

Socket housing: Heat resisting resin, UL94V-0

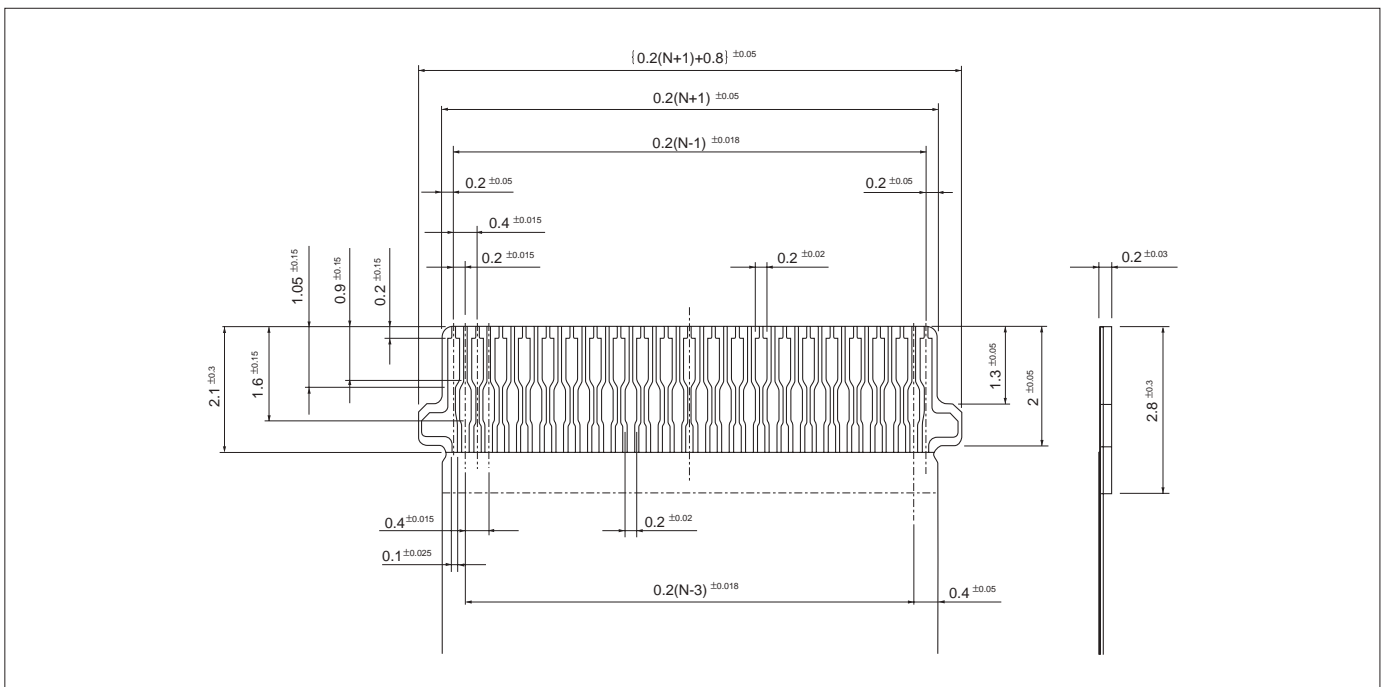
Cover housing: Heat resisting resin, UL94V-0

Contact: Copper alloy, nickel-undercoated, gold-plated (nickel-stripe)

Solder tab: Copper alloy, copper-undercoated, tin-plated (reflow treatment)

RoHS compliance This product displays (LF)(SN)(S) on a label.

Lead section dimensions of FPC



Note: N --- Number of circuits