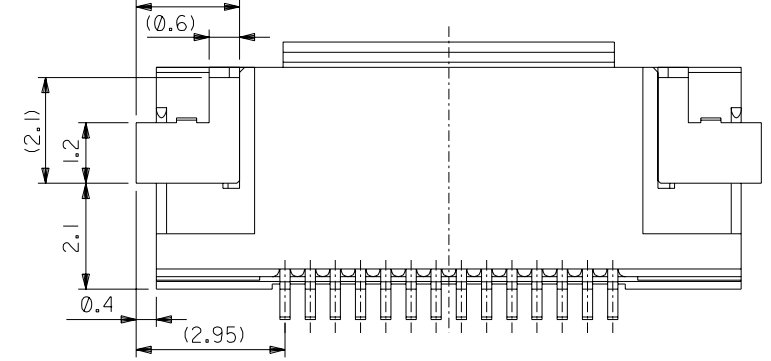
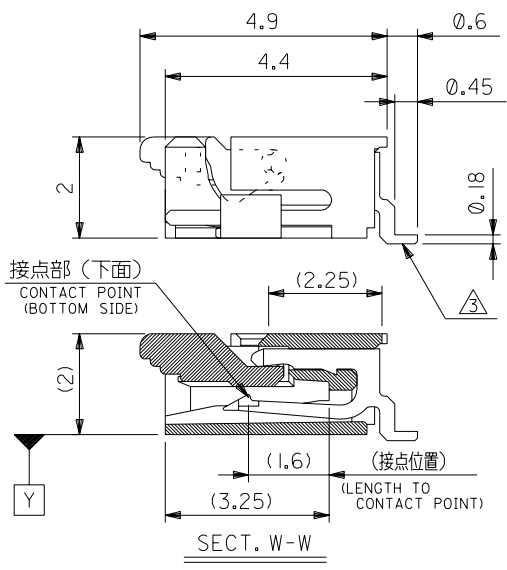
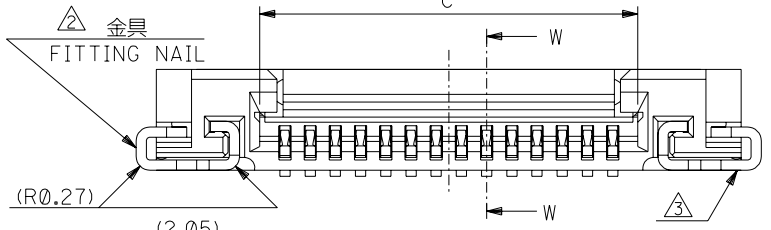
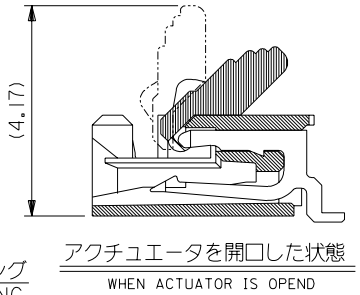
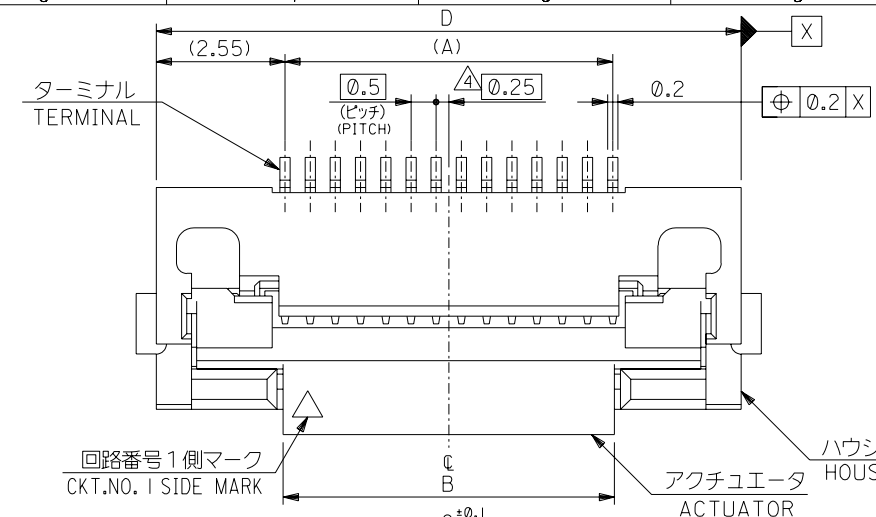


注記 NOTES

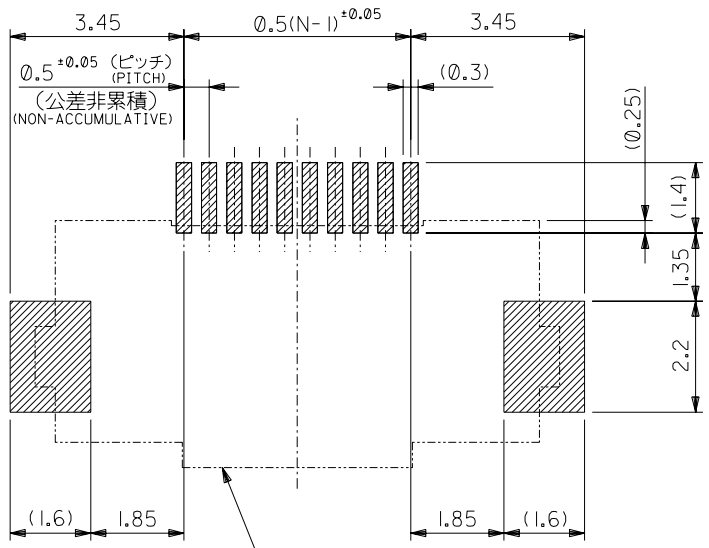
1. 使用材料 MATERIAL  
 ハウジング : 46ナイロン, UL94V-0  
 HOUSING : 46NYLON  
 アクチュエータ : PPS, UL94V-0  
 ACTUATOR  
 ターミナル : リン青銅 (t=0.2), ニッケル下地鍍ビスマスマック  
 TERMINAL : PHOS-BRO,TIN-BISMUTH OVER NICKEL PLATED  
 金具 : リン青銅 (t=0.2), ニッケル下地鍍メッキ  
 FITTING NAIL : PHOS-BRO,TIN OVER NICKEL PLATED
- △ パターンはくり止め用金具  
 FITTING NAIL FOR PREVENTION OF PEELING OF P.C.B. PATTERN.
- △ ソルダー半田付け面のズレ量、及び金具半田付け面のズレ量は、基準面 Y に対し上方向 0.05 MAX.、下方向 0.2 MAX. とする。  
 MISALIGNMENT OF SOLDER TAILS AND FITTING NAILS FROM UPPER DIRECTION: 0.05 MAX. . LOWER DIRECTION: 0.2 MAX.
- △ 偶数極に適用。  
 APPLY FOR EVEN CIRCUIT.
5. 本製品は52892-\*\*\*17の鉛フリー品である。  
 THIS PRODUCT IS LEAD FREE OF 52892-\*\*\*17



19.6	15.5	14.57	14.5	52892-3019	30
18.6	14.5	13.57	13.5	-2819	28
17.6	13.5	12.57	12.5	-2619	26
16.6	12.5	11.57	11.5	-2419	24
15.6	11.5	10.57	10.5	-2219	22
14.6	10.5	9.57	9.5	-2019	20
14.1	10.0	9.07	9.0	-1919	19
13.6	9.5	8.57	8.5	-1819	18
13.1	9.0	8.07	8.0	-1719	17
12.6	8.5	7.57	7.5	-1619	16
12.1	8.0	7.07	7.0	-1519	15
11.6	7.5	6.57	6.5	-1419	14
11.1	7.0	6.07	6.0	-1319	13
10.6	6.5	5.57	5.5	-1219	12
10.1	6.0	5.07	5.0	-1119	11
9.6	5.5	4.57	4.5	52892-1019	10
D	C	B	(A)	MATERIAL NO.	極数 CIRCUIT

DO NOT SCALE DRAWING

EC NO. DRWN: CHK: APPR:	EC NO. DRWN: CHK: APPR:	EC NO. DRWN: CHK: APPR:	EC NO. DRWN: CHK: APPR:	RELEASED EC NO. J2004-1855 DRWN: M.NABEI CHK: M.SASAO APPR: M.SASAO	MATERIAL 材料 注記参照 SEE NOTES	GENERAL TOLERANCES: (UNLESS SPECIFIED) 一般公差	SCALE DESIGN UNITS THIRD ANGLE PROJECTION	TITLE: 0.5 FPC CONN ASSY ZIF SMT RA (BTM CONT) E/O TYPE -LEAD FREE-	DIMENSIONS: mm INCH mm ONLY	SHT REVISE ON CAD ONLY	REV
FINISH 仕上げ 注記参照 SEE NOTES	WIRE RANGE 適用電線規格	ANGLE 角度	DRAWN BY & DATE M.NABEI '04/01/09	CHECKED BY & DATE M.SASAO '04/01/09	APPROVED BY & DATE M.SASAO '04/01/09	CAD FILENAME SD-52892-040.S01	MATERIAL NO. 52892-***19	DRAWING NO. SD-52892-040	SHEET NO. 1 OF 3	SIZE B	

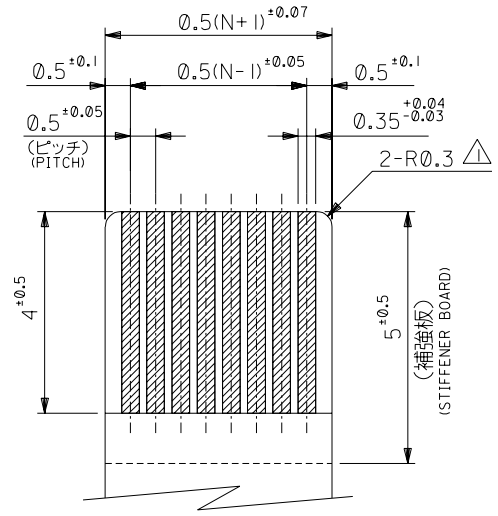


コネクタ位置  
CONNECTOR POSITION

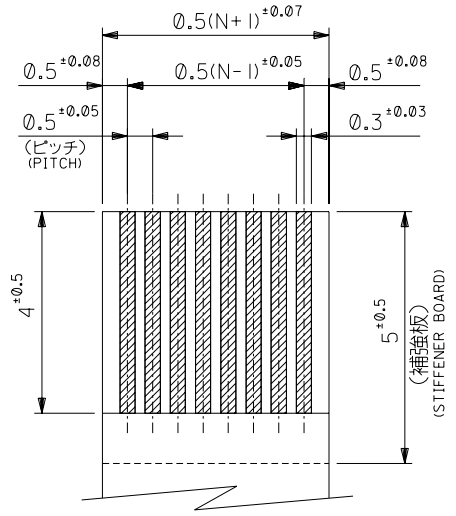
参考基板レイアウト  
RECOMMENDED P.C.BOARD  
PATTERN DIMENSION (REF.)  
(マウント面)  
(MOUNTING SIDE)

注記 NOTES

△ R0.3は、FPCの導体部にかからないこと。  
R0.3 MUST NOT BE OVERLAPPED TO PATTERN OF FPC.



適合FPC推奨寸法  
APPLICABLE FPC  
RECOMMENDED DIMENSION  
(仕上がり厚さ: 0.3 ± 0.03)  
(THICKNESS: 0.3 ± 0.03)



適合FFC推奨寸法  
APPLICABLE FFC  
RECOMMENDED DIMENSION  
(仕上がり厚さ: 0.3 ± 0.03)  
(THICKNESS: 0.3 ± 0.03)

2. FPCについて:

打抜き方向は導体側から補強板側を推奨致します。  
補強フィルム材質はポリイミドを推奨致します。  
接着剤は熱硬化接着剤を推奨致します。

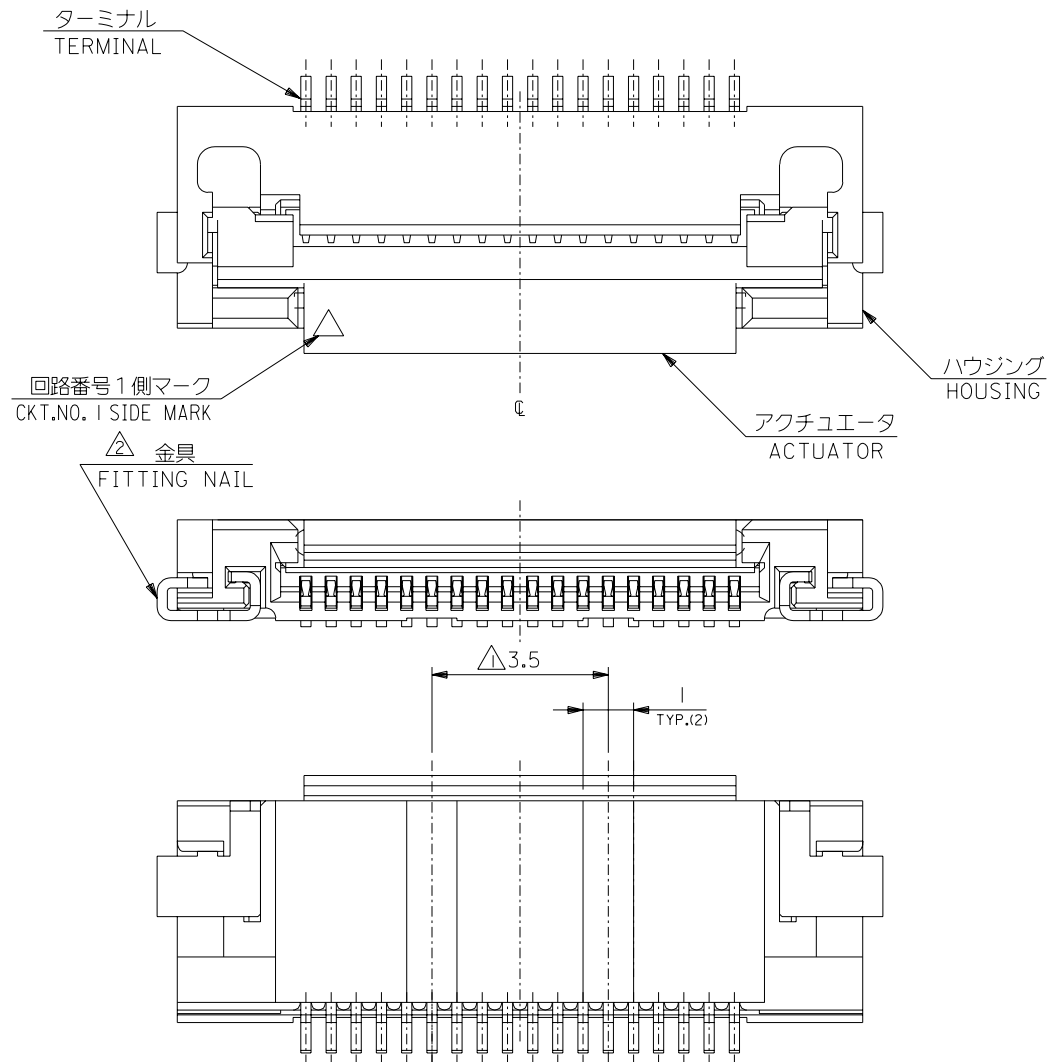
ABOUT FPC:

RECOMMENDED PUNCHER DIRECTION : FROM CONDUCTOR SIDE TO STIFFENER BOARD SIDE.  
RECOMMENDED MATERIAL:  
STIFFENER FILM : POLYIMIDE  
BONDING AGENT : THERMOSETTING BONDING AGENT

EC NO. DRWN: CHK: APPR:	EC NO. DRWN: CHK: APPR:	EC NO. DRWN: CHK: APPR:	EC NO. DRWN: CHK: APPR:	RELEASED EC NO. J2004-1855 DRWN: M.NABEI CHK: M.SASAO APPR: M.SASAO	MATERIAL 材料	GENERAL TOLERANCES: (UNLESS SPECIFIED) 一般公差	SCALE	DESIGN UNITS mm □ INCH	THIRD ANGLE PROJECTION	DIMENSIONS: mm □ INCH □ mm ONLY	SHT	REV
					FINISH 仕上げ	10 UNDER 未満	0.2	DRAWN BY & DATE M.NABEI 04/01/09	TITLE: 0.5 FPC CONN ASSY ZIF SMT RA (BTM CONT) E/O TYPE -LEAD FREE-			
					WIRE RANGE 適用電線範囲	10 OVER 以上	0.25	CHECKED BY & DATE M.SASAO 04/01/09	MATERIAL NO. SD-52892-***19	DRAWING NO. SD-52892-040	SHEET NO. 2 OF 3	
					INS. RANGE 被覆外径	30 UNDER 未満	0.25	APPROVED BY & DATE M.SASAO 04/01/09	CAD FILENAME SD-52892-040.S02		SIZE B	
					ANGLE 角度	0.3						

DWG. NO.  
SD-52892-040

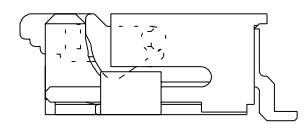
8 7 6 5 4 3 2 1



金型変更に伴う形状変更品形状図  
APPLY CHANGED FORM AT CHANGED DIE

注記 NOTES

△ 18極以上は2ヶ所、10~16極はハウジングセンター上に1ヶ所とする。  
18 CKTS & MORE THAN 18 CKTS PLACED 2 POINT.  
10~16 CKTS PLACED 1 POINT ON HOUSING CENTER.



DO NOT SCALE DRAWING

EC NO. DRWN: CH'K: APPR:		EC NO. DRWN: CH'K: APPR:		EC NO. DRWN: CH'K: APPR:		EC NO. DRWN: CH'K: APPR:		RELEASED EC NO. J2004-1855 DRWN: M.NABEI CH'K: M.SASAO APPR: M.SASAO		MATERIAL 材料 //		GENERAL TOLERANCES: (UNLESS SPECIFIED) 一般公差		SCALE //		DESIGN UNITS <input checked="" type="checkbox"/> mm <input type="checkbox"/> INCH		THIRD ANGLE PROJECTION		DIMENSIONS: <input type="checkbox"/> mm <input type="checkbox"/> INCH <input checked="" type="checkbox"/> mm ONLY		SHT REV	
								DESCRIPTION FINISH 仕上げ //		WIRE RANGE 適用電線範囲 //		10 UNDER 未満 ±0.2		DRAWN BY & DATE M.NABEI '04/01/09		TITLE: 0.5 FPC CONN ASSY ZIF SMT RA (BTM CONT) E/O TYPE -LEAD FREE-		MOLEX INCORPORATED		MATERIAL NO. 52892-**19 DRAWING NO. SD-52892-040		SHEET NO. 3 OF 3	
						INS. RANGE 被覆外径 //		10 OVER 30 UNDER 以上 未満 ±0.25		CHECKED BY & DATE M.SASAO '04/01/09		APPROVED BY & DATE M.SASAO '04/01/09		CAD FILENAME SD-52892-040.S03									
												30 OVER 以上 ±0.3		ANGLE 角度 ±3°								EN-02J(097) MXJ-54	

8 7 6 5 4 3 2 1

F

E

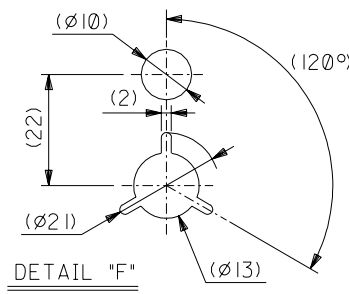
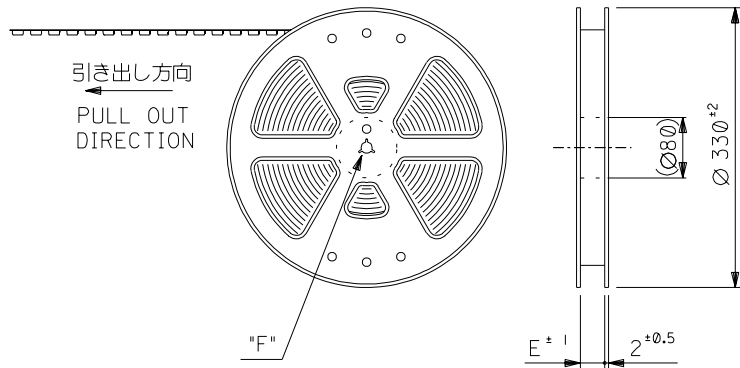
D

C

B

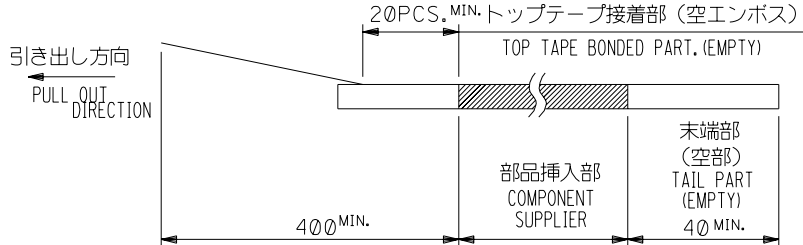
SD-52892-040.S03

DWG. NO. SD-52892-041

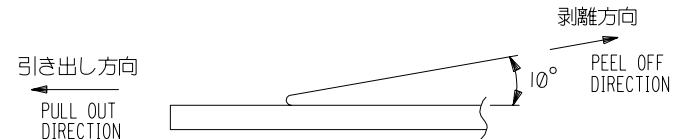


注記 NOTES

- 製品詳細寸法については図面 SD-52892-040 を参照下さい。  
RE DETAILED DIMENSION, SEE SD-52892-040
- 梱包数量：1000個/リール  
NUMBER OF CONNECTORS : 1000PCS/REEL
- リードテープ長さ LEAD TAPE LENGTH



- トップテープの剥離強度： 0.1N ~ 1.3N(10 ~ 130gf)  
(剥離方向は下図参照)  
尚、本規格値は出荷時に適用。(但し、輸送時に剥離が発生しないこと。)  
PEELING OFF FORCE OF TOP TAPE : 0.1N ~ 1.3N(10 ~ 130gf)  
(PEELING DIRECTION AS SHOWN IN FOLLOWING FIG.)  
THIS REQUIREMENT SHOULD BE APPLIED AT SHIPMENT.  
PEEL OFF SHOULD NOT BE ALLOWED , DURING TRANSPORTATION.



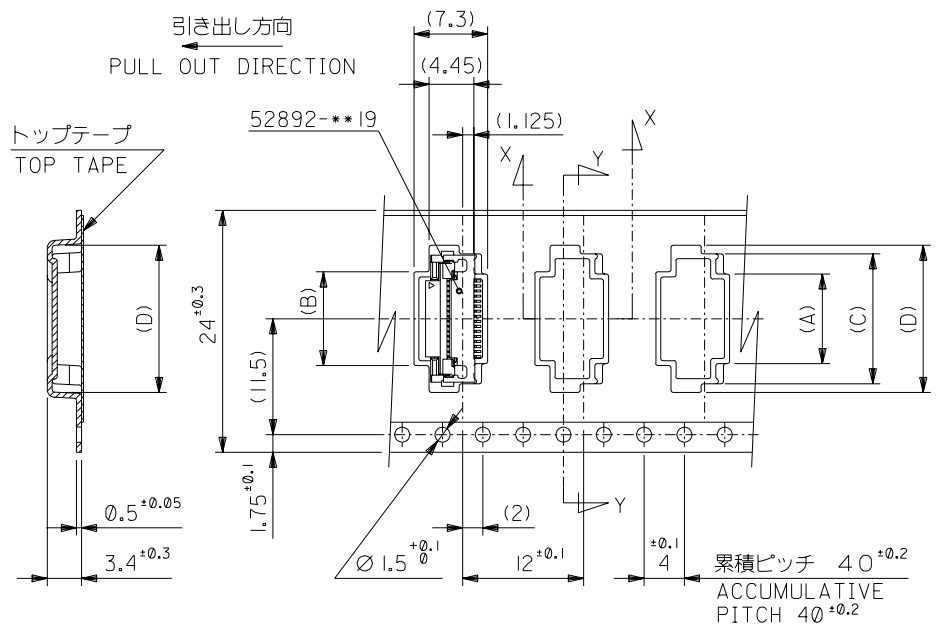
- 材料(MATERIAL)  
キャリアテープ(CARRIER TAPE) : ポリプロピレン(POLYPROPYLENE)  
トップテープ(TOPTAPE) : PET, PE, PEF  
リール(REEL) : 紙製(CARD BOARD)
- 本製品は52892-\*\*-90の鉛フリー品である。  
THIS PRODUCT IS LEAD FREE OF 52892-\*\*-90

DO NOT SCALE DRAWING

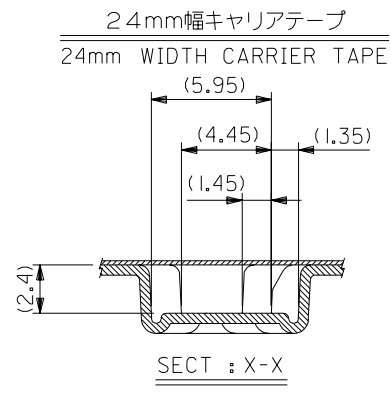
EC NO. DRWN: CH'K: APPR:		EC NO. DRWN: CH'K: APPR:		EC NO. DRWN: CH'K: APPR:		EC NO. DRWN: CH'K: APPR:		RELEASED EC NO. J2004-1855 DRWN: M.NABEI CH'K: M.SASAO APPR: M.SASAO		MATERIAL 材料 注記参照 SEE NOTES		GENERAL TOLERANCES: (UNLESS SPECIFIED) 一般公差		SCALE //		DESIGN UNITS <input checked="" type="checkbox"/> mm <input type="checkbox"/> INCH		THIRD ANGLE PROJECTION		DIMENSIONS: <input type="checkbox"/> mm <input type="checkbox"/> INCH <input checked="" type="checkbox"/> mm ONLY		SHT REV			
												10 UNDER 未満		±0.2		DRAWN BY & DATE M.NABEI '04/01/09		TITLE: EMBOSSSED TAPE PACKAGE FOR 0.5 FPC CONN. ASS'Y ZIF SMT R/A (BTM CONT) E/O TYPE -LEAD FREE-							
												10 OVER 以上		30 UNDER 未満		±0.25		CHECKED BY & DATE M.SASAO '04/01/09							
												30 OVER 以上				±0.3		APPROVED BY & DATE M.SASAO '04/01/09		MOLEX INCORPORATED					
												WIRE RANGE 適用電線範囲						CAD FILENAME SD-52892-041.S01		MATERIAL NO. 52892-**-95		DRAWING NO. SD-52892-041		SHEET NO. 1 OF 2	
												INS. RANGE 被覆外径												SIZE B	

SD-52892-041.S01

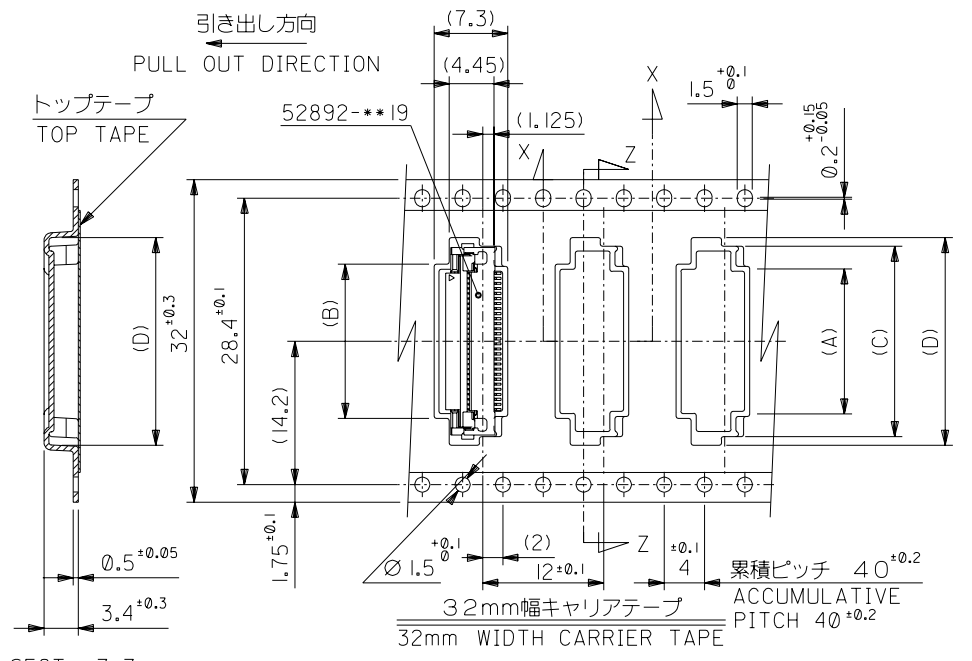
DWG. NO. SD-52892-041



SECT: Y-Y



SECT: X-X



SECT: Z-Z

32	33.5	21.6	19.9	16.1	15.9	52892-3095	30
		20.6	18.9	15.1	14.9	-2895	28
24	25.5	19.6	17.9	14.1	13.9	-2695	26
		18.6	16.9	13.1	12.9	-2495	24
		17.6	15.9	12.1	11.9	-2295	22
		16.6	14.9	11.1	10.9	-2095	20
		16.1	14.4	10.6	10.4	-1995	19
		15.6	13.9	10.1	9.9	-1895	18
		15.1	13.4	9.6	9.4	-1795	17
		14.6	12.9	9.1	8.9	-1695	16
		14.1	12.4	8.6	8.4	-1595	15
		13.6	11.9	8.1	7.9	-1495	14
13.1	11.4	7.6	7.4	-1395	13		
12.6	10.9	7.1	6.9	-1295	12		
12.1	10.4	6.6	6.4	-1195	11		
11.6	9.9	6.1	5.9	52892-1095	10		
キャリアテープ幅 CARRIER TAPE WIDTH	E	(D)	(C)	(B)	(A)	MATERIAL NO.	極数 CIRCUIT

DO NOT SCALE DRAWING

EC NO. DRWN: CH'K: APPR:	EC NO. DRWN: CH'K: APPR:	EC NO. DRWN: CH'K: APPR:	EC NO. DRWN: CH'K: APPR:	EC NO. DRWN: CH'K: APPR:	REV
					0
RELEASED EC NO. J2004-1855 DRWN: M.NABEI CH'K: M.SASAO APPR: M.SASAO					MATERIAL 材料 SHEET 1 OF 2 参照 SEE SHEET 1 OF 2
FINISH 仕上げ //					WIRE RANGE 適用電線範囲 //
INS. RANGE 被覆外径 //					GENERAL TOLERANCES: (UNLESS SPECIFIED) 一般公差 10 UNDER 未満 ±0.2 10 OVER 以上 30 UNDER 未満 ±0.25 30 OVER 以上 ±0.3 ANGLE 角度 ±3°

SCALE	DESIGN UNITS	THIRD ANGLE PROJECTION	DIMENSIONS: mm INCH mm ONLY	SHT	REV
1/1	mm □ INCH	☉	<input type="checkbox"/> mm <input type="checkbox"/> INCH <input checked="" type="checkbox"/> mm ONLY		
DRAWN BY & DATE M.NABEI 04/01/09		TITLE: EMBOSSED TAPE PACKAGE FOR 0.5 FPC CONN. ASS'Y ZIF SMT R/A (BTM CONT) E/O TYPE -LEAD FREE-			
CHECKED BY & DATE M.SASAO 04/01/09		MOLEX INCORPORATED			
APPROVED BY & DATE M.SASAO 04/01/09		CAD FILENAME	MATERIAL NO.	DRAWING NO.	SHEET NO.
		SD-52892-041.S02	52892-***95	SD-52892-041	2 OF 2
THIS DRAWING CONTAINS INFORMATION THAT IS PROPRIETARY TO MOLEX INCORPORATED AND SHOULD NOT BE USED WITHOUT WRITTEN PERMISSION.					SIZE B