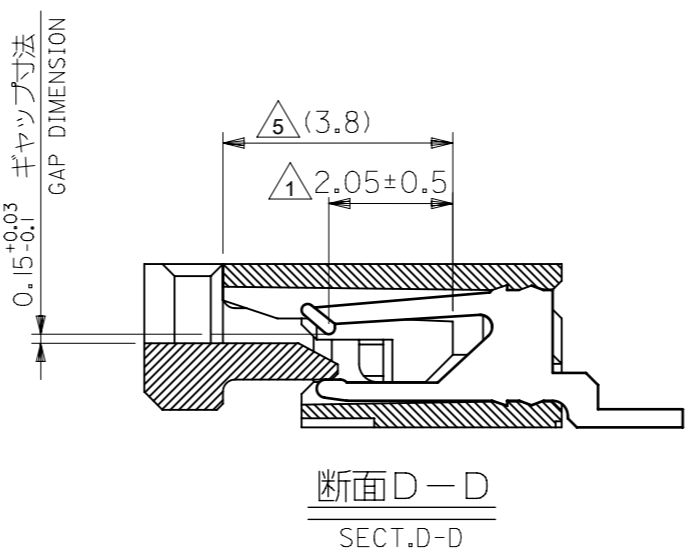
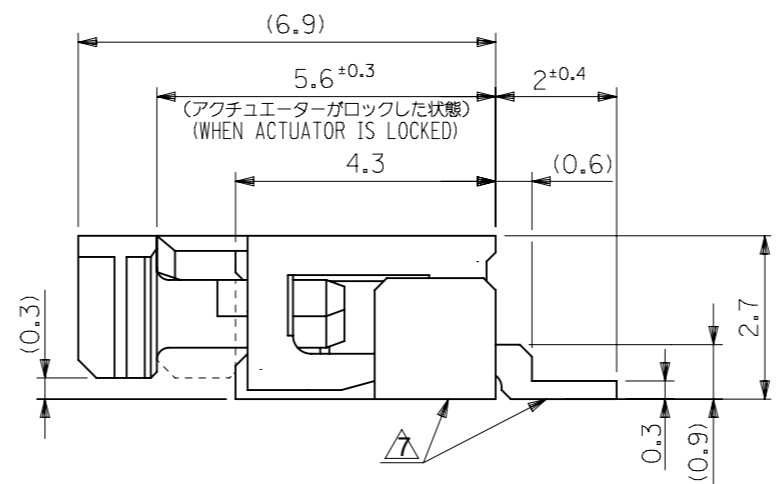


注記: NOTES

1. 接点部までの嵌合長さ。  
MATING LENGTH TO CONTACT POINT.
2. 使用材料 MATERIAL
  - ハウジング : 46ナイロン(耐熱性) , UL94V-0
  - HOUSING : HEAT-RESISTANT NYLON46, UL94V-0
  - アクチュエータ : PPS , UL94V-0
  - ACTUATOR : PPS, UL94V-0
  - ターミナル : リン青銅(t=0.32)
  - メッキ
  - 接点部 : 金メッキ 0.1マイクロメートル以上
  - 半田付け部 : 錫メッキ 1.0マイクロメートル以上
  - 下地メッキ : NICKEL 1.0マイクロメートル以上
  - ターミナル : PHOS-BRO(t = 0.32)
  - PLATED
  - CONTACT AREA : GOLD PLATED 0.1 MICROMETER MIN.
  - TAIL AREA : TIN PLATED 1.0 MICROMETER MIN.
  - OVER PLATED : NICKEL PLATED 1.0 MICROMETER MIN.
- 金具 : 銅合金(t=0.25)
- メッキ : 錫メッキ 1.0マイクロメートル以上
- 下地メッキ : ニッケル 1.0マイクロメートル以上
- FITTING NAIL : PHOS-BRO(t = 0.25)
- PLATED : TIN 1.0 MICROMETER MIN.
- OVER PLATED : NICKEL PLATED 1.0 MICROMETER MIN.

3. パターンはくり止め用金具  
FITTING NAIL FOR PREVENTION OF FOOT PRINT PEELING.
4. エンボステープ梱包時はアクチュエータがロックした状態とする。  
ACTUATOR TO BE LOCKED IN EMBOSSED TAPE PACKAGE.
5. FPC挿入深さ。  
INSERTION DEPTH OF FPC.
6. パターン書き込み禁止エリア。  
NO FOOT PRINT AREA.
7. テール及び金具の平坦度は、0.15以下とする。  
COPLANARITY OUT OF SPECIFICATION.  
TAIL: 0.15 MAX  
NAIL: 0.15 MAX
8. 本製品は52207-\*\*19の鉛フリー品である。  
THIS PRODUCT IS GOLD PLATING OF 52207-\*\*19.

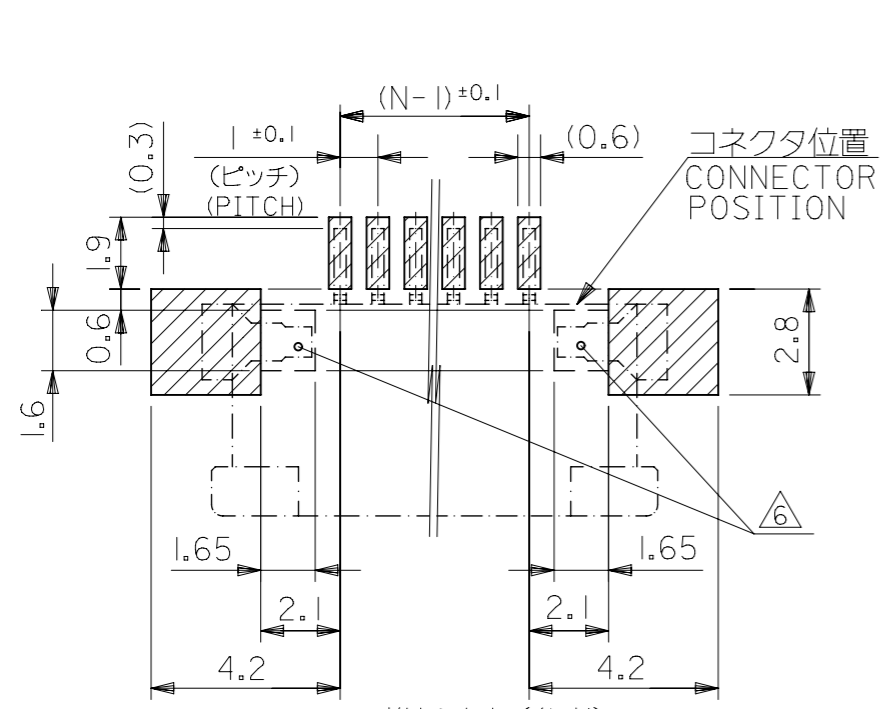


34.7	31.2	29	52207-3067	30
33.7	30.2	28	52207-2967	29
32.7	29.2	27	52207-2867	28
31.7	28.2	26	52207-2767	27
30.7	27.2	25	52207-2667	26
29.7	26.2	24	52207-2567	25
28.7	25.2	23	52207-2467	24
27.7	24.2	22	52207-2367	23
26.7	23.2	21	52207-2267	22
25.7	22.2	20	52207-2167	21
24.7	21.2	19	52207-2067	20
23.7	20.2	18	52207-1967	19
22.7	19.2	17	52207-1867	18
21.7	18.2	16	52207-1767	17
20.7	17.2	15	52207-1667	16
19.7	16.2	14	52207-1567	15
18.7	15.2	13	52207-1467	14
17.7	14.2	12	52207-1367	13
16.7	13.2	11	52207-1267	12
15.7	12.2	10	52207-1167	11
14.7	11.2	9	52207-1067	10
13.7	10.2	8	52207-0967	9
12.7	9.2	7	52207-0867	8
11.7	8.2	6	52207-0767	7
10.7	7.2	5	52207-0667	6
9.7	6.2	4	52207-0567	5
8.7	5.2	3	52207-0467	4
7.7	4.2	2	52207-0367	3
C	B	A	MATERIAL NO.	極数
			MODEL NO. 52207-**67	CIRCUITS

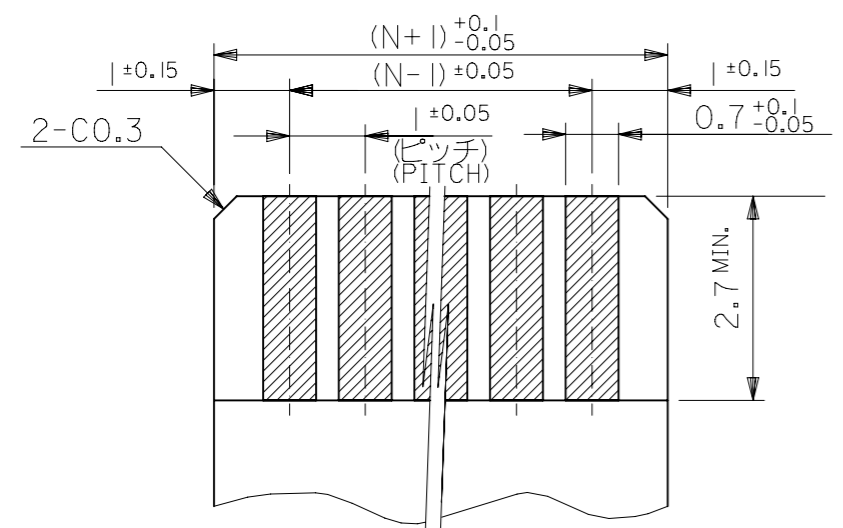
GENERAL TOLERANCES (UNLESS SPECIFIED)	
10 UNDER	± 0.2
10 OVER 30 UNDER	± 0.25
30 OVER	± 0.3
ANGULAR ± 3 °	
DRAFT WHERE APPLICABLE MUST REMAIN WITHIN DIMENSIONS	

THIS DRAWING CONTAINS INFORMATION THAT IS PROPRIETARY TO MOLEX ELECTRONIC TECHNOLOGIES, LLC AND SHOULD NOT BE USED WITHOUT WRITTEN PERMISSION

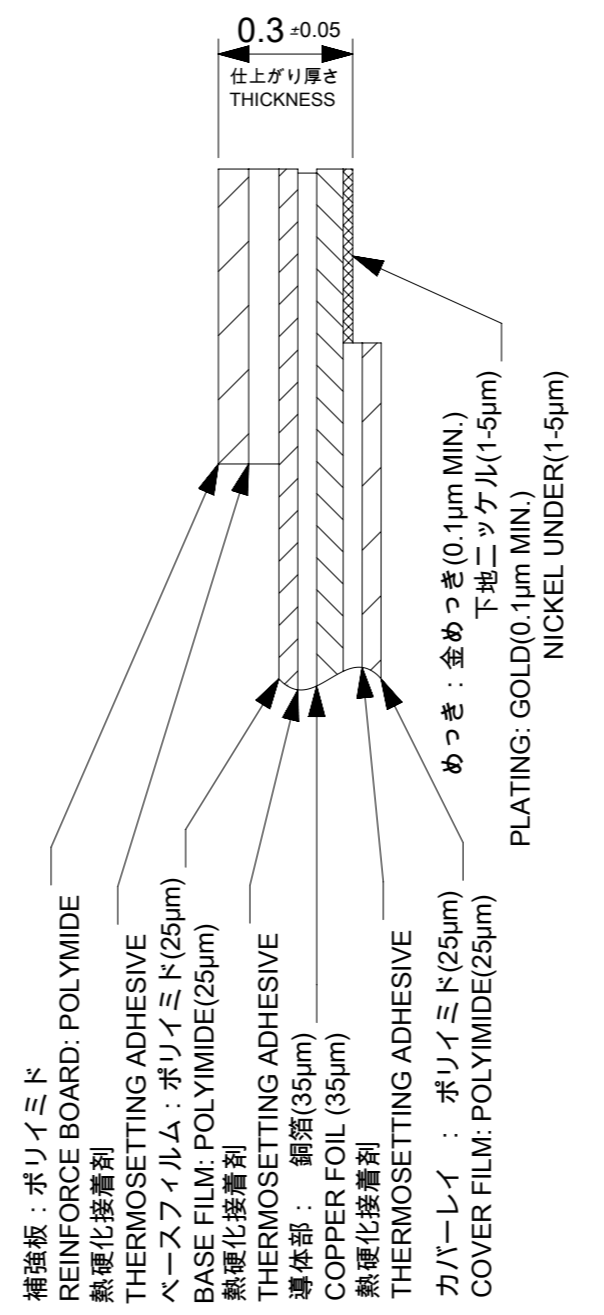
DIMENSION UNITS	SCALE	CURRENT REV DESC:	
mm	8:1	EC NO: 601573	
GENERAL TOLERANCES (UNLESS SPECIFIED)		DRWN: AISHII	2018/07/18
ANGULAR TOL	± 10 °	CHK'D: TRSUZUKI	2018/08/10
4 PLACES	± 0.2	APPR: RTAKEUCHI	2018/08/13
3 PLACES	± 0.25	INITIAL REVISION:	
2 PLACES	± 0.3	DRWN: MUMEDA	2005/03/29
1 PLACE	± 0.1	APPR: NUKITA	2005/04/06
0 PLACES	±	THIRD ANGLE PROJECTION	
DRAFT WHERE APPLICABLE MUST REMAIN WITHIN DIMENSIONS		DRAWING	SERIES
		A3-SIZE	52207
		MATERIAL NUMBER	CUSTOMER
		SEE TABLE	GENERAL MARKET
		DOCUMENT NUMBER	DOC TYPE DOC PART REVISION
		SD-52207-064	PSD 001 H
		SHEET NUMBER	
		1 OF 2	



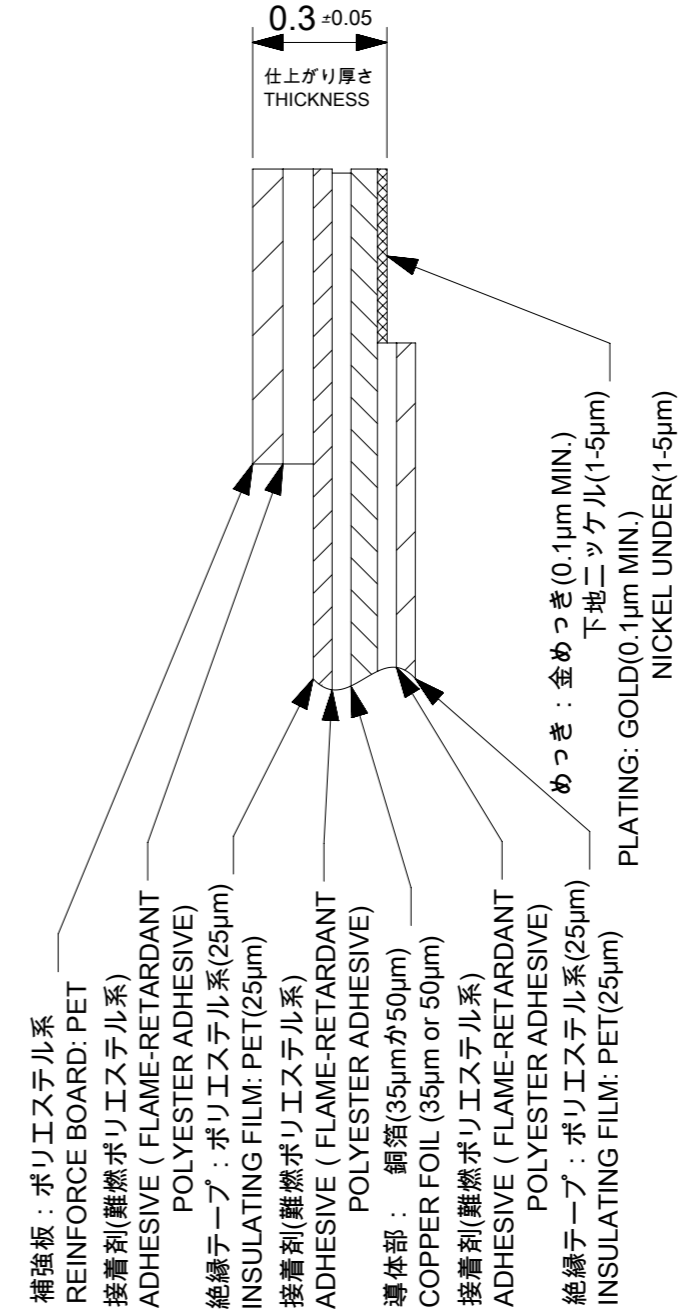
パターン推奨寸法 (参考)  
RECOMMENDED PATTERN DIM.(REF.)  
SCALE 5:1



(仕上り厚さ: 0.3±0.05)(メッキ厚: 0.1µm MIN.)  
(THICKNESS: 0.3±0.05)(PLATING THICKNESS: 0.1µm MIN.)  
適合FPC/FFC推奨寸法  
RECOMMENDED APPLICABLE  
FPC/FFC LAYOUT



FPC構成推奨仕様  
STRUCTURE OF FPC



FFC構成推奨仕様  
STRUCTURE OF FFC

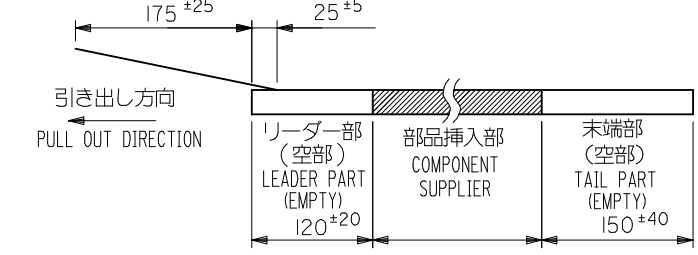
FPCについて:  
打抜き方向は、導体側から補強板側を推奨いたします。  
補強フィルム材質は、ポリイミドを推奨いたします。  
接着剤は、熱硬化接着剤を推奨いたします。

ABOUT FPC:  
RECOMMENDED PUNCHER DIRECTION: FROM CONDUCTOR SIDE TO STIFFENER BOARD SIDE.  
RECOMMENDED MATERIAL:  
STIFFENER FILM: POLYIMIDE  
BONDING AGENT: THERMOSETTING BONDING AGENT

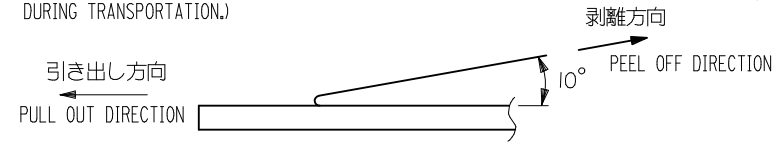
<b>GENERAL TOLERANCES (UNLESS SPECIFIED)</b> 10 UNDER ± 0.2 10 OVER 30 UNDER ± 0.25 30 OVER ± 0.3 ANGULAR ± 3 ° DRAFT WHERE APPLICABLE MUST REMAIN WITHIN DIMENSIONS		DIMENSION UNITS: mm SCALE: 10:1 CURRENT REV DESC: EC NO: 601573 DRWN: AISHII 2018/07/18 CHK'D: TRSUZUKI 2018/08/10 APPR: RTAKEUCHI 2018/08/13 INITIAL REVISION: DRWN: MUMEDA 2005/03/29 APPR: NUKITA 2005/04/06 THIRD ANGLE PROJECTION DRAWING: A3-SIZE SERIES: 52207	 1.0 FPC CONN. ZIF SMT HSG ASSY -LEAD FREE- PRODUCT CUSTOMER DRAWING DOCUMENT NUMBER: SD-52207-064 DOC TYPE: PSD DOC PART: 001 REVISION: H MATERIAL NUMBER: SEE TABLE CUSTOMER: GENERAL MARKET SHEET NUMBER: 2 OF 2
--	--	---	---

注記

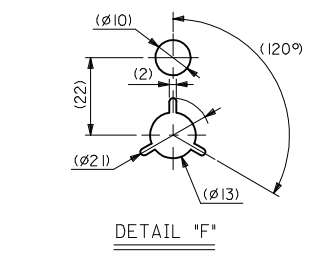
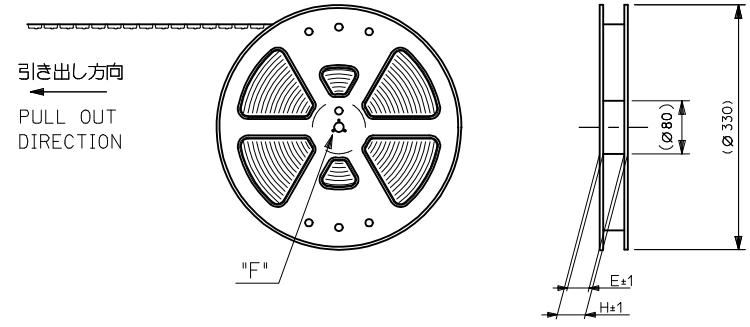
- 製品番号 52207-\*\*67 の梱包状態はアクチュエータがロックした状態とする。  
 詳細寸法については図面 SD-52207-064 を参照下さい。  
 IN THE PACKAGE, ACTUATOR OF PART NO. 52207-\*\*67 SHOULD BE LOCKED  
 RE DETAILED DIMENSIONS, SEE SD-52207-064
- 梱包数量：1000個/リール  
 NUMBER OF CONNECTORS: 1000PCS/REEL
- リードテープ長さ(LEAD TAPE LENGTH)



- トップテープの剥離強度：0.1~1.3N (10gf~130gf) (剥離方向は下図参照)  
 尚、本規格値は、出荷時に適用。(但し、輸送時に剥離が発生しない事。)  
 PEELING OFF FORCE OF TOP TAPE: 0.1~1.3N (10gf~130gf)  
 (PEELING DIRECTION AS SHOWN IN FOLLOWING FIG.)  
 THIS REQUIREMENT SHOULD BE APPLIED AT SHIPMENT. (PEEL OFF SHOULD NOT BE ALLOWED, DURING TRANSPORTATION.)

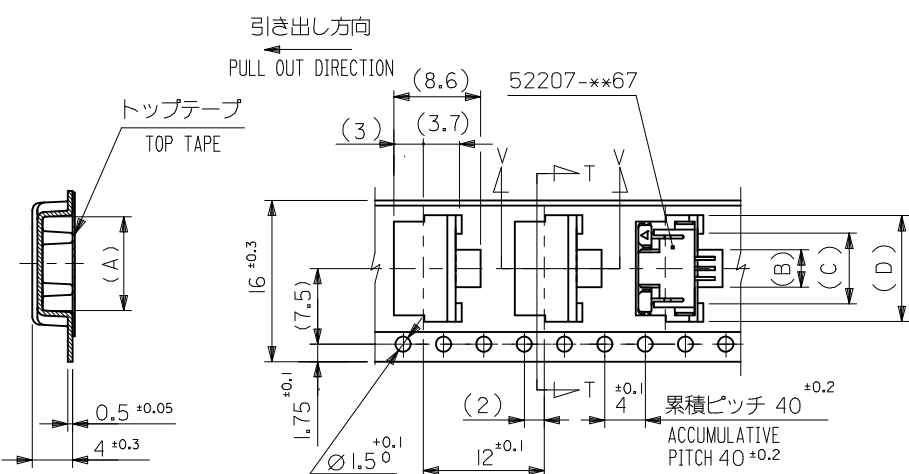


- 材料 (MATERIAL)  
 キャリアテープ (CARRIER TAPE): ポリプロピレン (POLYPROPYLENE)  
 トップテープ (TOPTAPE): PET, PE, PEF  
 リール (REEL): ポリスチレン (PS) <リサイクル材を含む>  
 POLYSTYRENE (PS) <RECYCLE MATERIAL CONTAINED>
- 本製品は 52207-\*\*85 の金メッキ品である。  
 THIS PRODUCT IS GOLD PLATING OF 52207-\*\*85.
- 本製品は乾燥剤入り、ハイバリア梱包仕様である。  
 THIS PRODUCT IS HIGH BARRIER PACKAGE WITH DESICCANT.

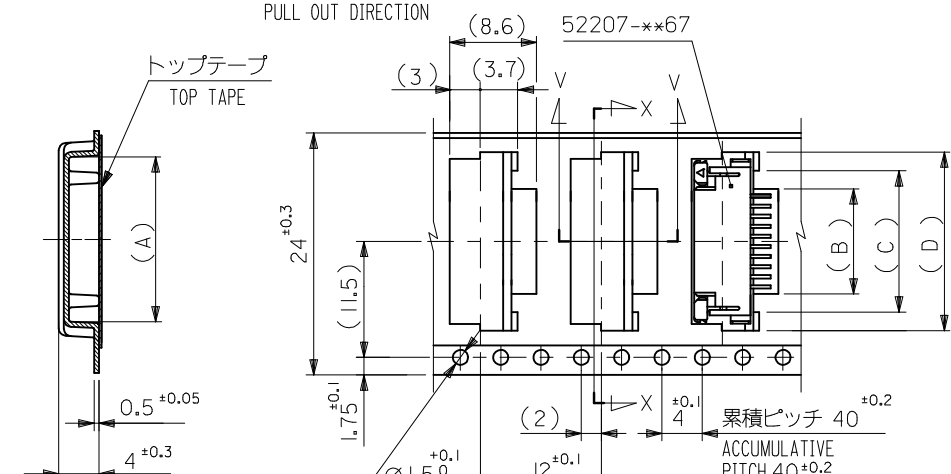


MODEL No.52207-\*\*60

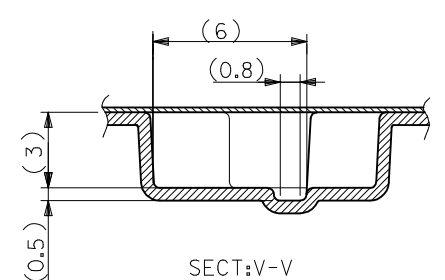
REVISED EC NO: J2016-0832 DRWN: YMIZUNO02 2016/02/03 CHKD: TAKAHASHI 2016/02/03 APPR: KUSUHARA01 2016/02/12	GENERAL TOLERANCES (UNLESS SPECIFIED)			DIMENSION STYLE MM ONLY		SCALE ---	DESIGN UNITS METRIC	THIRD ANGLE PROJECTION
	0.25 UNDER	UNDER	± 0.03	DRAWN BY M.UMEDA	DATE 2005/03/03	TITLE 1.0 FPC CONN. ZIF SMT WITH EMBSTP PKG -LEAD FREE-		
	0.25 OVER	0.5 UNDER	± 0.05	CHECKED BY K. TOYODA	DATE 2005/03/03	molex		
	0.5 OVER	1.0 UNDER	± 0.1	APPROVED BY N. UKITA	DATE 2005/03/03			
	1.0 OVER	30 UNDER	± 0.2	MATERIAL NO. SEE SHEET 2-5			DOCUMENT NO. SD-52207-065	SHEET NO. 1 OF 5
	10 OVER	30 UNDER	± 0.25	THIS DRAWING CONTAINS INFORMATION THAT IS PROPRIETARY TO MOLEX ELECTRONIC TECHNOLOGIES, LLC AND SHOULD NOT BE USED WITHOUT WRITTEN PERMISSION				
30 OVER		± 0.3	DRAFT WHERE APPLICABLE MUST REMAIN WITHIN DIMENSIONS					



SECT:T-T  
16mm 幅 キャリアテープ  
16mm WIDTH CARRIER TAPE



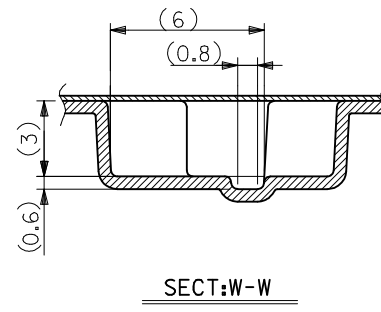
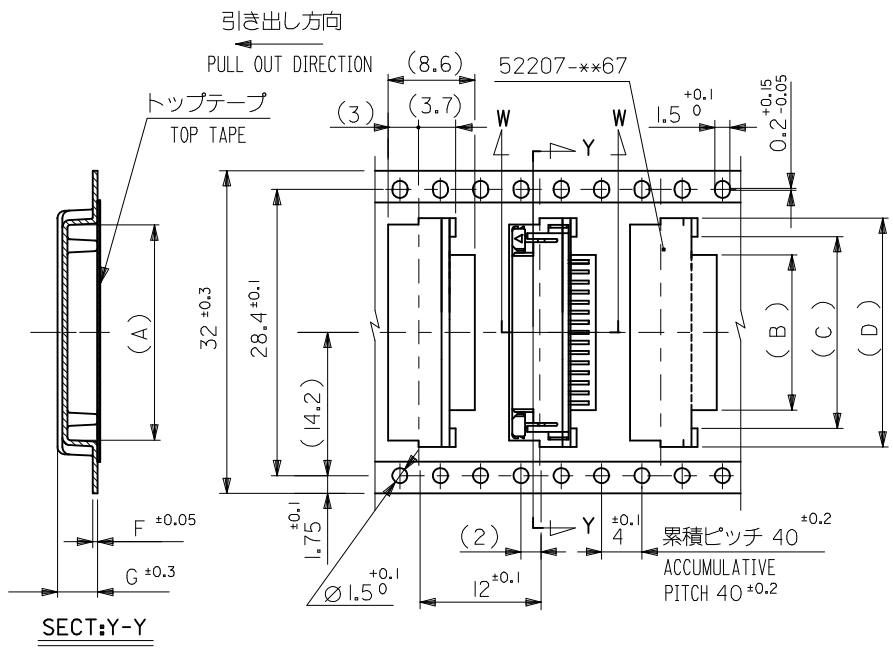
SECT:X-X  
24mm 幅 キャリアテープ  
24mm WIDTH CARRIER TAPE



SECT:V-V

24	29.4	25.4	18.5	15	11.7	17.3	52207-1160	11
			17.5	14	10.7	16.3	52207-1060	10
			16.5	13	9.7	15.3	52207-0960	9
			15.5	12	8.7	14.3	52207-0860	8
			14.5	11	7.7	13.3	52207-0760	7
			13.5	10	6.7	12.3	52207-0660	6
			12.5	9	5.7	11.3	52207-0560	5
			11.5	8	4.7	10.3	52207-0460	4
16	21.4	17.4	10.5	7	3.7	9.3	52207-0360	3
キャリアテープ幅 CARRIER TAPE WIDTH	H	E	(D)	(C)	(B)	(A)	EMBOSSED PACKAGE ORDER NO.	極数 CKT.

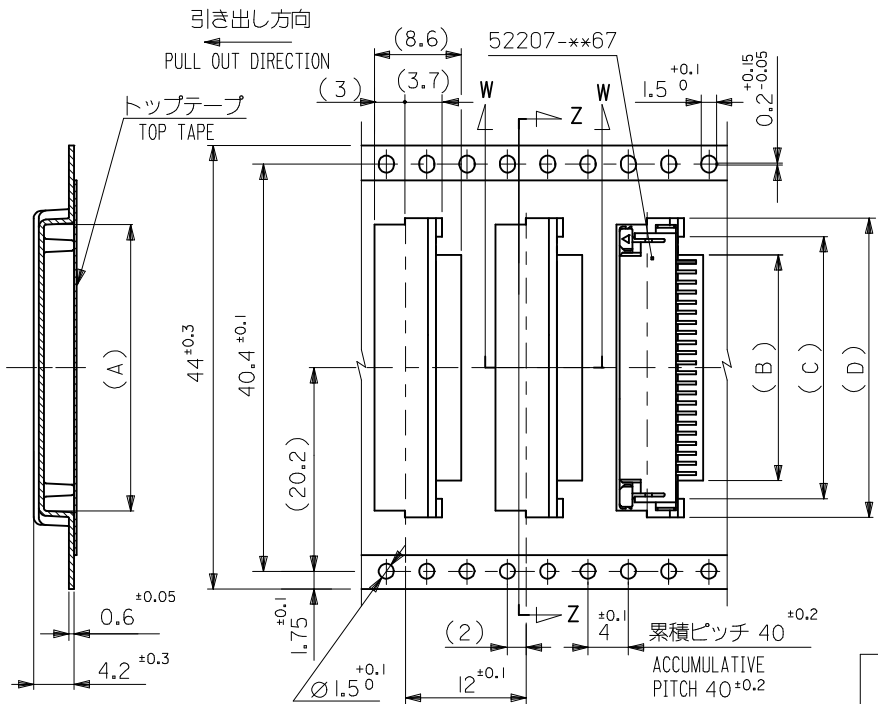
SEE SHEET 1 EC NO.: J2016-0832 DRWN: YMIZUNO02 2016/02/03 CHKD: TAKAHASHI 2016/02/03 APPR: IKUSUHARA01 2016/02/12	GENERAL TOLERANCES (UNLESS SPECIFIED)		DIMENSION STYLE MM ONLY		SCALE ---	DESIGN UNITS METRIC	THIRD ANGLE PROJECTION
	0.25 UNDER	UNDER	±0.03	DRAWN BY M.UMEDA	DATE 2005/03/03	TITLE 1.0 FPC CONN. ZIF SMT WITH EMBSTP PKG -LEAD FREE-	
	0.25 OVER	0.5 UNDER	±0.05	CHECKED BY K.TOYODA	DATE 2005/03/03		
	0.5 OVER	1.0 UNDER	±0.1	APPROVED BY N.UKITA	DATE 2005/03/03		
	1.0 OVER	30 UNDER	±0.2	MATERIAL NO.	DOCUMENT NO.	SHEET NO. 2 OF 5	
10 OVER	30 UNDER	±0.25	SEE CHART		SD-52207-065		
30 OVER		±0.3	DRAFT WHERE APPLICABLE MUST REMAIN WITHIN DIMENSIONS		THIS DRAWING CONTAINS INFORMATION THAT IS PROPRIETARY TO MOLEX ELECTRONIC TECHNOLOGIES, LLC AND SHOULD NOT BE USED WITHOUT WRITTEN PERMISSION		



32mm 幅 キャリアテープ  
32mm WIDTH CARRIER TAPE

32	37.4	33.4	4.0	0.5	23.5	20	16.7	22.35	52207-1660	16
			4.2	0.6	22.5	19	15.7	21.35	52207-1560	15
			4.2	0.6	21.5	18	14.7	20.35	52207-1460	14
			4.2	0.6	20.5	17	13.7	19.35	52207-1360	13
			4.2	0.6	19.5	16	12.7	18.35	52207-1260	12
キャリアテープ幅 CARRIER TAPE WIDTH	H	E	(G)	(F)	(D)	(C)	(B)	(A)	EMBOSSED PACKAGE ORDER NO.	種数 CKT.

SEE SHEET 1 EC NO: J2016-0832 DRWN: YMIZUNO02 2016/02/03 CHKD: TAKAHASHI 2016/02/03 APPR: IKUSUHARA01 2016/02/12	GENERAL TOLERANCES (UNLESS SPECIFIED)			DIMENSION STYLE MM ONLY		SCALE ---	DESIGN UNITS METRIC	THIRD ANGLE PROJECTION		
	0.25 UNDER	UNDER	±0.03	DRAWN BY	DATE	TITLE				
	0.25 OVER	0.5 UNDER	±0.05	M.UMEDA	2005/03/03	1.0 FPC CONN ZIF SMT WITH EMBSTP PKG -LEAD FREE-				
	0.5 OVER	1.0 UNDER	±0.1	CHECKED BY	DATE	<b>molex</b>				
	1.0 OVER	10 UNDER	±0.2	K.TOYODA	2005/03/03					
10 OVER	30 UNDER	±0.25	APPROVED BY	DATE	DOCUMENT NO.		SHEET NO.			
30 OVER		±0.3	N.UKITA	2005/03/03	SD-52207-065		3 OF 5			
ANGULAR	±1 °		SEE CHART		THIS DRAWING CONTAINS INFORMATION THAT IS PROPRIETARY TO MOLEX ELECTRONIC TECHNOLOGIES, LLC AND SHOULD NOT BE USED WITHOUT WRITTEN PERMISSION					
DRAFT WHERE APPLICABLE MUST REMAIN WITHIN DIMENSIONS			SIZE A3							

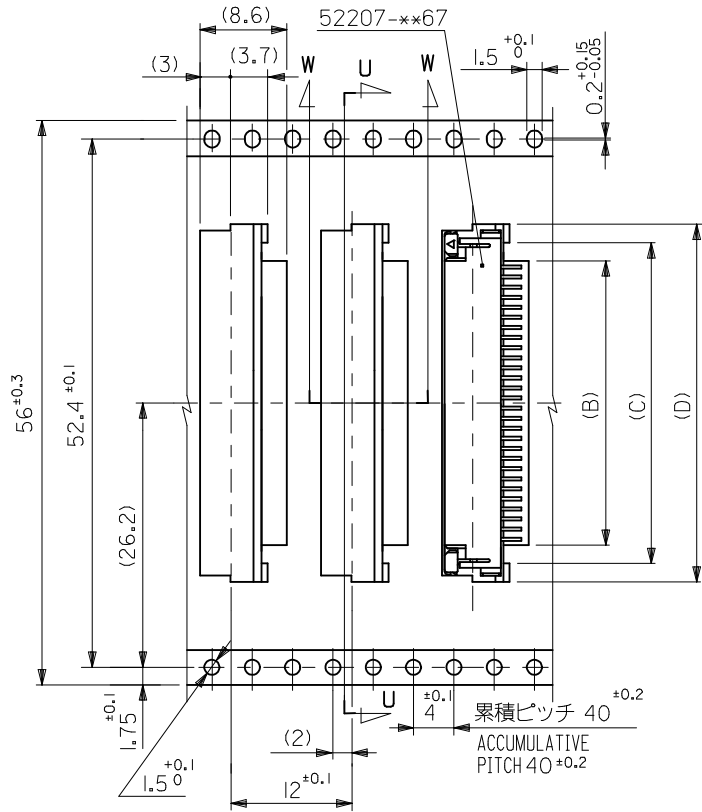
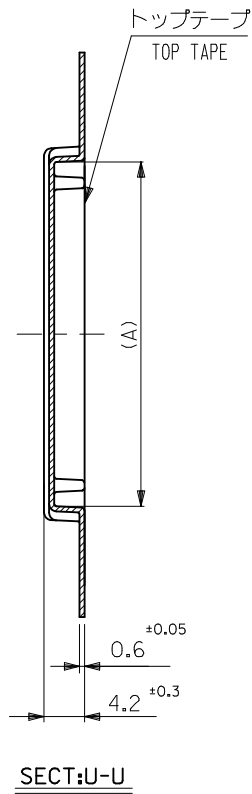


SECT:Z-Z

44mm 幅 キャリアテープ  
44mm WIDTH CARRIER TAPE

44	49.4	45.4	—	—	34.5	31	27.7	33.35	52207-2760	27
			—	—	33.5	30	26.7	32.35	52207-2660	26
			—	—	32.5	29	25.7	31.35	52207-2560	25
			—	—	31.5	28	24.7	30.35	52207-2460	24
			—	—	30.5	27	23.7	29.35	52207-2360	23
			—	—	29.5	26	22.7	28.35	52207-2260	22
			—	—	28.5	25	21.7	27.35	52207-2160	21
			—	—	27.5	24	20.7	26.35	52207-2060	20
			—	—	26.5	23	19.7	25.35	52207-1960	19
			—	—	25.5	22	18.7	24.35	52207-1860	18
—	—	24.5	21	17.7	23.35	52207-1760	17			
キャリアテープ幅 CARRIER TAPE WIDTH	H	E	(G)	(F)	(D)	(C)	(B)	(A)	EMBOSSED PACKAGE ORDER NO.	種数 CKT.

SEE SHEET 1 EC NO: J2016-0832 DRWN: YMIZUNO02 2016/02/03 CHKD: TAKAHASHI 2016/02/03 APPR: IKUSUHARA01 2016/02/12	GENERAL TOLERANCES (UNLESS SPECIFIED)			DIMENSION STYLE MM ONLY		SCALE ---	DESIGN UNITS METRIC	THIRD ANGLE PROJECTION		
	0.25 UNDER	UNDER	±0.03	DRAWN BY	DATE	TITLE				
	0.25 OVER	0.5 UNDER	±0.05	M.UMEDA	2005/03/03	1.0 FPC CONN ZIF SMT WITH EMBSTP PKG -LEAD FREE-				
	0.5 OVER	1.0 UNDER	±0.1	CHECKED BY	DATE					
	1.0 OVER	30 UNDER	±0.2	K.TOYODA	2005/03/03					
10 OVER	30 UNDER	±0.25	APPROVED BY	DATE	DOCUMENT NO.		SHEET NO.			
30 OVER		±0.3	N.UKITA	2005/03/03	SD-52207-065		4 OF 5			
ANGULAR	±1 °		MATERIAL NO.		SEE CHART					
DRAFT WHERE APPLICABLE MUST REMAIN WITHIN DIMENSIONS			SIZE A3	THIS DRAWING CONTAINS INFORMATION THAT IS PROPRIETARY TO MOLEX ELECTRONIC TECHNOLOGIES, LLC AND SHOULD NOT BE USED WITHOUT WRITTEN PERMISSION						



56mm 幅 キャリアテープ  
56mm WIDTH CARRIER TAPE

56	61.4	57.4	37.5	34	30.7	36.35	52207-3060	30
			36.5	33	29.7	35.35	52207-2960	29
			35.5	32	28.7	34.35	52207-2860	28
キャリアテープ幅 CARRIER TAPE WIDTH	H	E	(D)	(C)	(B)	(A)	EMBOSSED PACKAGE ORDER NO.	極数 CKT.

SEE SHEET 1 EC NO: J2016-0832 DRWN: YMIZUNO02 2016/02/03 CHKD: KAKAHASHI 2016/02/03 APPR: TKUSUHARA01 2016/02/12	GENERAL TOLERANCES (UNLESS SPECIFIED)		DIMENSION STYLE MM ONLY		SCALE ---	DESIGN UNITS METRIC	THIRD ANGLE PROJECTION	
	0.25 UNDER	UNDER	±0.03	DRAWN BY	DATE	TITLE		
	0.25 OVER	0.5 UNDER	±0.05	M.UMEDA	2005/03/03	1.0 FPC CONN ZIF SMT WITH EMBSTP PKG -LEAD FREE-		
	0.5 OVER	1.0 UNDER	±0.1	CHECKED BY	DATE	<b>molex</b> DOCUMENT NO. SD-52207-065 SHEET NO. 5 OF 5		
	1.0 OVER	10 UNDER	±0.2	K.TOYODA	2005/03/03			
10 OVER	30 UNDER	±0.25	APPROVED BY	DATE	SEE CHART			
30 OVER		±0.3	N.UKITA	2005/03/03	THIS DRAWING CONTAINS INFORMATION THAT IS PROPRIETARY TO MOLEX ELECTRONIC TECHNOLOGIES, LLC AND SHOULD NOT BE USED WITHOUT WRITTEN PERMISSION			
ANGULAR	±1 °		MATERIAL NO.					
DRAFT WHERE APPLICABLE MUST REMAIN WITHIN DIMENSIONS			SIZE A3					