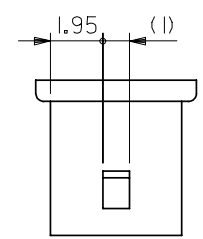
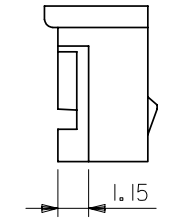
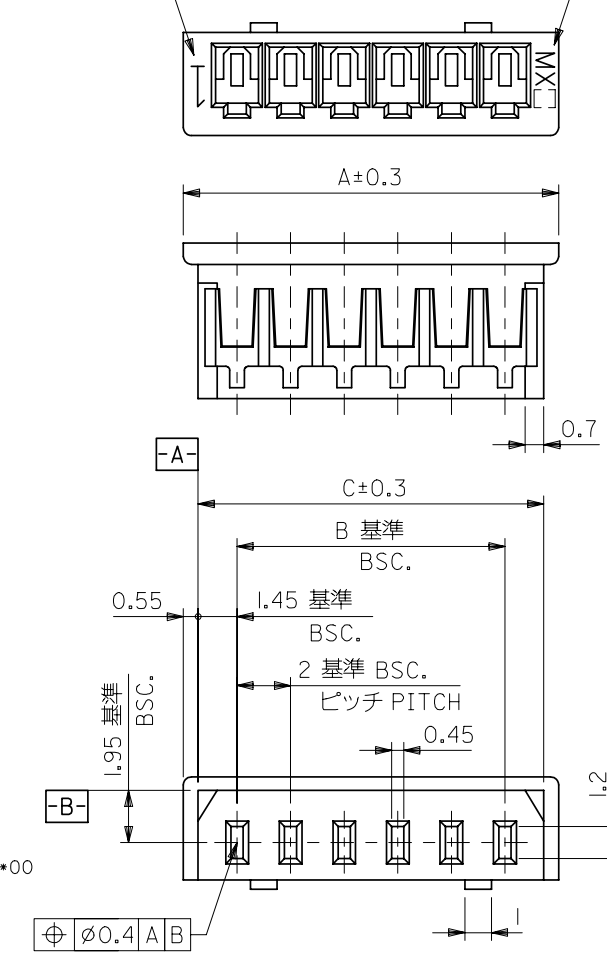


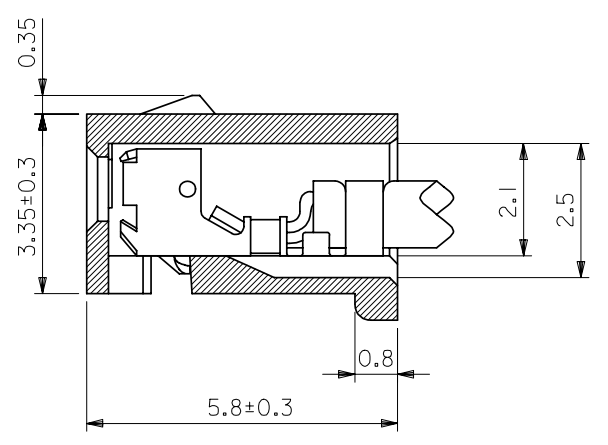
DWG. IO.  
SD-51004-\*\*00

回路番号  
CIRCUIT NO.

トレードマーク  
TRADE MARK



2極の場合  
IN CASE OF 2 CIRCUIT HSG.



ターミナル装着状態  
TERMINAL ASSEMBLY DRAWING  
(10:1)

- 注  
NOTE.
- 適合ターミナル: 50011-8\*00  
ACCEPTS TERMINAL
  - 嵌合相手: 53014-\*\*10  
MATES WITH 53015-\*\*10  
53025-\*\*10

32	30.9	28	51004-1500	15
30	28.9	26	-1400	14
28	26.9	24	-1300	13
26	24.9	22	-1200	12
24	22.9	20	-1100	11
22	20.9	18	-1000	10
20	18.9	16	-0900	9
18	16.9	14	-0800	8
16	14.9	12	-0700	7
14	12.9	10	-0600	6
12	10.9	8	-0500	5
10	8.9	6	-0400	4
8	6.9	4	-0300	3
6	4.9	2	51004-0200	2
A	C	B	ENG.NO.	極数 CIRCUIT

DO NOT SCALE DRAWING

EC NO. DRWN: CH'K: APPR:	EC NO. DRWN: CH'K: APPR:	EC NO. DRWN: CH'K: APPR:	EC NO. DRWN: CH'K: APPR:	EC NO. DRWN: CH'K: APPR:	REDRAWN EC NO. JC2000-0629 DRWN: K.KOHAMA '00/ 3/28 CH'K: T.YAMAGUCHI '00/ 3/30 APPR: M.FUKUSHIMA '00/ 3/30	MATERIAL 材料 PBT. UL94V-0 POLYESTER UL94V-0	GENERAL TOLERANCES: (UNLESS SPECIFIED) 一般公差	SCALE 5:1	DESIGN UNITS <input checked="" type="checkbox"/> mm <input type="checkbox"/> INCH	THIRD ANGLE PROJECTION <input type="checkbox"/> mm <input type="checkbox"/> INCH <input checked="" type="checkbox"/> mm ONLY	SHT REV
						FINISH 仕上げ	10 UNDER 未満	±0.2	DRAWN BY & DATE K.KOHAMA '00/ 3/28	TITLE: 2.0 LOW-PRO REC. HSG.	
						WIRE RANGE 適用電線範囲	10 OVER 30 UNDER 以上 未満	±0.25	CHECKED BY & DATE T.YAMAGUCHI '00/ 3/30		
						INS. RANGE 被覆外径	30 OVER 以上	±0.3	APPROVED BY & DATE M.FUKUSHIMA '00/ 3/30		
REV						ANGLE 角度	±3°	CAD FILENAME S51004.S01	MATERIAL NO. 51004-**00	DRAWING NO. SD-51004-**00	SHEET NO. 1
THIS DRAWING CONTAINS INFORMATION THAT IS PROPRIETARY TO MOLEX INCORPORATED AND SHOULD NOT BE USED WITHOUT WRITTEN PERMISSION.											SIZE B