

SCI7654M0A/C0A

DC/DC Converter

- Double/Triple/Quadruple Boosting
- 95% Excellent Power Conversion Efficiency
- Built-in Voltage Regulator

DESCRIPTION

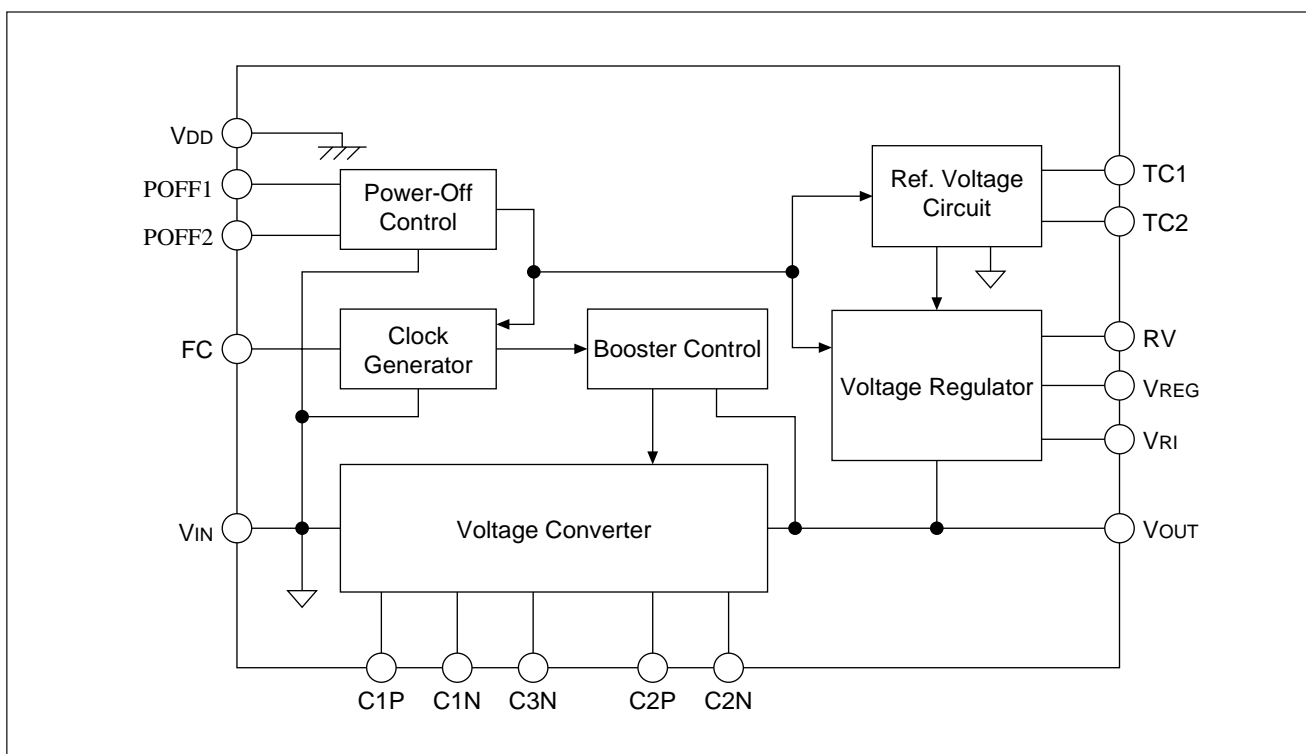
The SCI7654 is a highly efficient, but low power-consumption DC-to-DC converter based on the advanced CMOS technologies. It can generate an output voltage double/triple/quadruple times higher than the input (in negative direction) if 4/3/2 external capacitors are attached.

With a built-in voltage regulator, the SCI7654 can provide a stable output by setting the DC/DC output to any voltage via two external resistors. This is optimum to the LCD panel power supply as the stable output can have the negative temperature gradient required for an LCD panel.

FEATURES

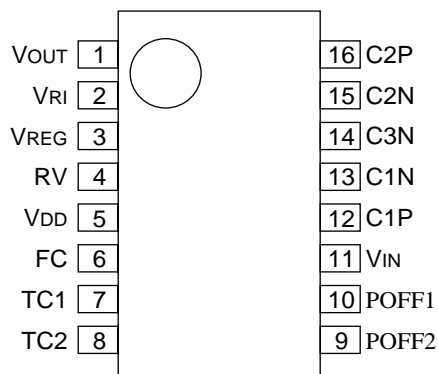
- An input voltage can be boosted double/triple/quadruple to negative potential.
- Input voltages: -2.0 to -5.5V (quadruple boosting), -2.0 to -7.3V (triple boosting), -2.0 to -11.0V (double boosting)
- Excellent voltage conversion efficiency: 95% (Typ.)
- Large output current: 20 mA (Max.) during quadruple boosting
- Built-in voltage regulator (for stable voltage output)
- Built-in reference voltage source for accurate regulation: $-1.5 \pm 0.05\text{V}$
- Regulator output voltage temperature gradient function: -0.02 , -0.15 , -0.35 , $-0.55\%/^{\circ}\text{C}$
- Low current consumption: 130 μA (Typ.)
- Low standby current: 5.0 μA (Max.)
- Built-in oscillator circuit
- 5/6-time voltage boosting in negative potential by serial connection
- Package: SCI7654M0A SSOP2-16pin (plastic), SCI7654C0A DIP-16pin (plastic)

BLOCK DIAGRAM



■ PIN CONFIGURATION

SSOP2-16pin/DIP-16pin



■ PIN DESCRIPTION

Pin No.	Pin Name	Function
1	VOUT	Voltage output
2	VRI	Regulator input
3	VREG	Regulator output
4	RV	Input for regulator output voltage adjustment
5	VDD	Power pin (Positive)
6	FC	Internal clock rate switch input, and clock input in serial/parallel connection (Common input pin)
7	TC1	Input for regulator output temperature gradient setup (1)
8	TC2	Input for regulator output temperature gradient setup (2)
9	POFF2	Power-off control input (2)
10	POFF1	Power-off control input (1)
11	VIN	Power voltage (negative side)
12	C1P	Common double and quadruple boosting capacitor positive pin
13	C1N	Double boosting capacitor negative pin
14	C3N	Quadruple boosting capacitor negative pin
15	C2N	Triple boosting capacitor negative pin
16	C2P	Triple boosting capacitor positive pin

■ ABSOLUTE MAXIMUM RATINGS

Rating	Symbol	Min.	Max.	Unit	Remark
Input Power Voltage	V_{IN}	$-26.0/N$	$V_{DD} + 0.3$	V	N=Boosting time; at V_{IN} pin
Input Pin Voltage	V_I	$V_{IN} - 0.3$	$V_{DD} + 0.3$	V	$POFF1, POFF2$ TC1, TC2, FC pins
Output Pin Voltage 1	V_{OC1}	$V_{IN} - 0.3$	$V_{DD} + 0.3$	V	At C1P and C2P pins
Output Pin Voltage 2	V_{OC2}	$2 \times V_{IN} - 0.3$	$V_{IN} + 0.3$	V	At C1N pin
Output Pin Voltage 3	V_{OC3}	$3 \times V_{IN} - 0.3$	$2 \times V_{IN} + 0.3$	V	At C2N pin
Output Pin Voltage 4	V_{OC4}	$4 \times V_{IN} - 0.3$	$3 \times V_{IN} + 0.3$	V	At C3N pin
Regulator Input Power Voltage	V_{RI}	$N \times V_{IN} - 0.3$	$V_{DD} + 0.3$	V	N=Boosting time; at V_{RI} pin
Regulator Input Pin Voltage	V_{RV}	$N \times V_{IN} - 0.3$	$V_{DD} + 0.3$	V	N=Boosting time; at RV pin
Output Voltage	V_O	$N \times V_{IN} - 0.3$	$V_{DD} + 0.3$	V	N=Boosting time; at V_{OUT} and V_{REG} pins
Input Current	I_{IN}	–	80	mA	At V_{IN} pin
Output Current	I_{OUT}	–	$N \leq 4: 20$ $N > 4: 80/N$	mA	N=Boosting time; at V_{OUT} and V_{REG} pins
Allowable Loss	P_d	–	210	mW	–
Operating Temperature	T_{opr}	–30	85	°C	–
Storage Temperature	T_{stg}	–55	150	°C	–
Soldering Temperature and Time	T_{sol}	–	260•10	°C•S	Temperature at leads

■ ELECTRICAL CHARACTERISTICS

(Unless otherwise designated: $T_a = -30^\circ\text{V}$ to $+85^\circ\text{C}$, $V_{DD} = 0\text{V}$, $V_{IN} = -5.0\text{V}$)

Characteristic	Symbol	Condition	Min.	Typ.	Max.	Unit
Input Power Voltage 1	V_{IN1}	During quadruple boosting	–5.5	–	–2.0	V
Input Power Voltage 2	V_{IN2}	During triple boosting	–7.3	–	–2.0	V
Input Power Voltage 3	V_{IN3}	During double boosting	–11	–	–2.0	V
Input Power Voltage N	V_{INN}	During large-time boosting using external diodes	$-22/N$	–	–2.0	V
Boost Startup Input Power Voltage	V_{STA}	N=Boosting time, $I_{OUT} < 200 \mu\text{A}$, FC= V_{DD}	$-22/N$	–	–2.4	V
Booster Output Voltage	V_{OUT}	–	–22	–	–	V
Regulator Input Voltage	V_{RI}	–	–22	–	–2.0	V
Regulator Output Voltage	V_{REG}	$I_{REG} = 0$, $V_{RI} = -22\text{V}$, $R_{RV} = 1\text{M}\Omega$	–	–	–2.0	V
Booster Output Impedance	R_{OUT}	$I_{OUT} = 10\text{mA}$, during quadruple boosting	–	200	300	Ω
Booster Power Conversion Efficiency	P_{eff}	$I_{OUT} = 2 \text{mA}$; during quadruple boosting; C1, C2, C3, $C_{OUT} = 10\mu\text{F}$ Tantalum	–	95	–	%
Booster Operating Current Consumption 1	I_{OPR1}	FC= V_{DD} , $POFF1 = V_{IN}$, $POFF2 = V_{DD}$; during no loading; C1, C2, C3, $C_{OUT} = 10\mu\text{F}$ Tantalum	–	130	220	μA
Booster Operating Current Consumption 2	I_{OPR2}	FC= V_{IN} , $POFF1 = V_{IN}$, $POFF2 = V_{DD}$; during no loading; C1, C2, C3, $C_{OUT} = 10\mu\text{F}$ Tantalum	–	520	880	μA
Regulator Operating Current Consumption	I_{OPVR}	$V_{RI} = -20 \text{V}$, during no loading, $R_{RV} = 1 \text{M}\Omega$	–	10	15	μA

■ ELECTRICAL CHARACTERISTICS (continued)

Characteristic	Symbol	Condition	Min.	Typ.	Max.	Unit
Static Current	I _Q	POFF1=V _{IN} , POFF2=V _{IN} , FC=V _{DD}	–	–	5.0	μA
Input Leakage Current	I _{LIN}	At POFF1, POFF2, FC, TC1, TC2 pins	–	–	0.5	μA
Stable Output Saturation Resistance	R _{SAT} (*1)	0<I _{REG} <20mA RV=V _{DD} Ta=25°C	–	10	20	Ω
Stable Output Voltage Stability	ΔV _R (*2)	–20V<V _{RI} <–10V, I _{REG} =1mA V _{REG} =–15V Ta=25°C	–	0.2	–	%/V
Stable Output Load Variation	ΔV ₀ (*3)	V _{RI} =–20V V _{REG} =–15V Ta=25°C 0<I _{REG} <20mA	–	30	50	mV
Reference Voltage (Ta = 25°C)	V _{REF0}	TC1 = V _{DD} , TC2 = V _{DD}	–1.55	–1.50	–1.45	V
	V _{REF1}	TC1 = V _{DD} , TC2 = V _{IN}	–1.70	–1.50	–1.30	V
	V _{REF2}	TC1 = V _{IN} , TC2 = V _{DD}	–1.90	–1.50	–1.10	V
	V _{REF3}	TC1 = V _{IN} , TC2 = V _{IN}	–2.15	–1.50	–0.85	V
Reference Voltage Temperature Coefficient (*4) (*5)	CT ₀	TC1 = V _{DD} , TC2 = V _{DD} , SSO package	–0.07	–0.04	0	%/°C
	CT ₁	TC1 = V _{DD} , TC2 = V _{IN} , SSO package	–0.25	–0.15	–0.07	%/°C
	CT ₂	TC1 = V _{IN} , TC2 = V _{DD} , SSO package	–0.45	–0.35	–0.20	%/°C
	CT ₃	TC1 = V _{IN} , TC2 = V _{IN} , SSO package	–0.75	–0.55	–0.30	%/°C
Input Voltage Level	V _{IH}	V _{IN} = –2.0V to –5.5V At POFF1, POFF2, FC, TC1, TC2 pins	0.2V _{IN}	–	–	V
	V _{IL}	V _{IN} = –2.0V to –5.5V At POFF1, POFF2, FC, TC1, TC2 pins	–	–	0.8V _{IN}	V
Capacitance of Booster Capacitors	C _{MAX}	Capacitors C1, C2, C3	–	–	47	μF

$$(*1) R_{SAT} = \frac{\Delta(V_{REG} - V_{OUT})}{\Delta I_{REG}}$$

$$(*2) V_R = \frac{\Delta V_{REG}}{\Delta V_{OUT} \cdot V_{REG}}$$

$$(*3) R_0 = \frac{\Delta V_{REG}}{\Delta I_{REG}}$$

$$(*4) CT = \frac{|V_{REF}(50^\circ\text{C})| - |V_{REF}(0^\circ\text{C})|}{50^\circ\text{C} - 0^\circ\text{C}} \times \frac{100}{|V_{REF}(25^\circ\text{C})|}$$

(*5) The reference voltage temperature coefficient of each chip product may vary depending on the used molding materials. Perform the temperature test before use.

FUNCTIONAL DESCRIPTION

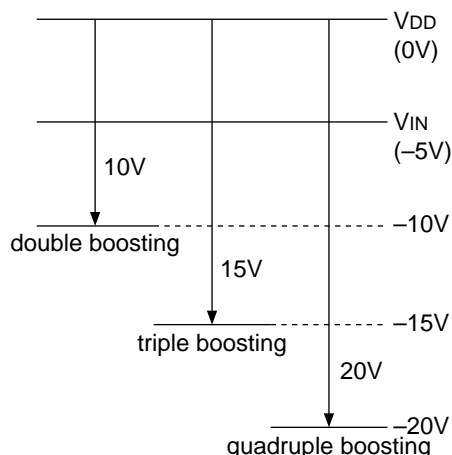
● Clock Generator Circuit

As the SCI7654 has a built-in clock generator circuit, it requires no external source at all. The clock rate changes depending on the FC pin signal level, and the Low Output or High Output mode can be selected. This allows a frequency selection according to the current capacitance and load current when the booster output impedance changes depending on the clock rate and external booster capacitance.

FC pin	Mode	Clock Rate	Current Consumption	Output Ripple
H (VDD)	Low Output	4.0 kHz (Typ.)	IOP	VRP
L (VIN)	High Output	16.0 kHz (Typ.)	Approx. 4 times of IOP	Approx. 1/4 time of VRI

● Voltage Converter Circuit

The voltage converter receives a clock from the clock generator, and boosts the VIN input power voltage quadruple, triple or double. Four converter circuits are required for quadruple boosting, three converters are required for triple boosting, and dual converters are required for double boosting.



Voltage step-up diagram (during -5V input)

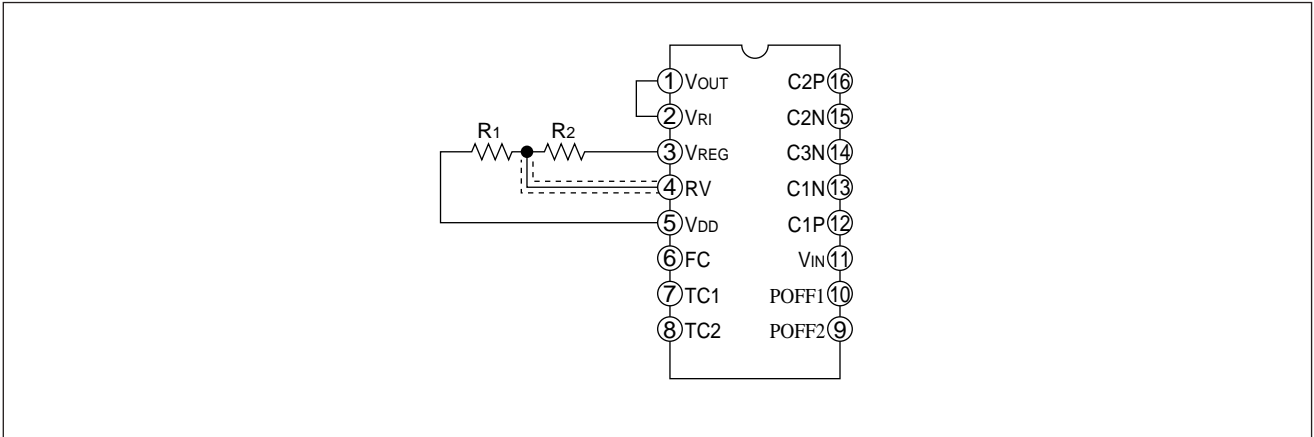
● Reference Voltage Circuit

The SCI7654 has a built-in reference voltage circuit for the voltage regulator. The temperature coefficient of reference voltage can be changed using pins TC1 and TC2, and a voltage having one of four types of temperature gradients can be output at VREG pin for LCD driving.

Mode	TC1	TC2	Reference Voltage, VREF (V)			Temperature Coefficient, CT (%/°C)		
			Min.	Typ.	Max.	Min.	Typ.	Max.
CT0	H(VDD)	H(VDD)	-1.55	-1.5	-1.45	-0.07	-0.04	0
CT1	H	L(VIN)	-1.70	-1.5	-1.30	-0.25	-0.15	-0.07
CT2	L(VIN)	H	-1.90	-1.5	-1.10	-0.45	-0.35	-0.20
CT3	L	L	-2.15	-1.5	-0.85	-0.75	-0.55	-0.30

● Voltage Regulator Circuit

The circuit receives a voltage from VRI pin, stabilizes it, and outputs at any voltage. The output is adjustable with a ratio of R1 and R2 external divider resistors. Although the sum of divider resistors is desirable to be minimum to prevent an interference due to external noise, 100 to 1 megohms are recommended as the current consumption may be increased by the divider resistors.



● Power Off Control

The SCI7654 has an automatic power-off function, and can turn on or off each function depending on the external signals entered in POFF1 and POFF2 pins.

Mode	POFF1	POFF2	Function Status			
			Oscillator	Booster	Regulator	Description
PS1	H(VDD)	L(VIN)	ON	ON	ON	All circuits are turned ON.
PS2	L	L	OFF	OFF (*1)	OFF (*2)	All circuits are turned OFF.
PS3	H	H	OFF	ON	ON	Slave side (booster and regulator) in parallel connection
PS4	L	H	ON	ON	OFF	Master side (for booster only) in parallel connection; first stage in serial connection (*3)

*1 When the booster circuit is OFF, approximately VIN +0.6V voltage appears at VOUT pin.

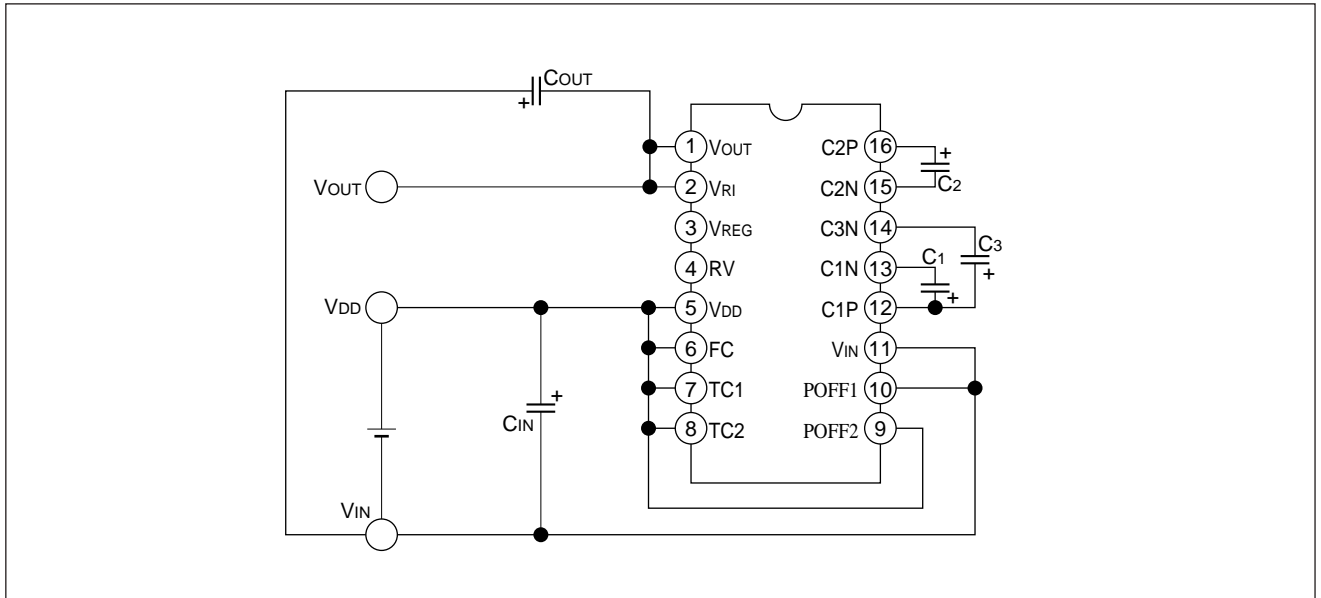
*2 When the regulator is OFF, the VREG pin is set to the high-impedance status.

*3 The mode selected depends on the line connection at the second stage of serial connection.

REFERENCE CIRCUIT EXAMPLE

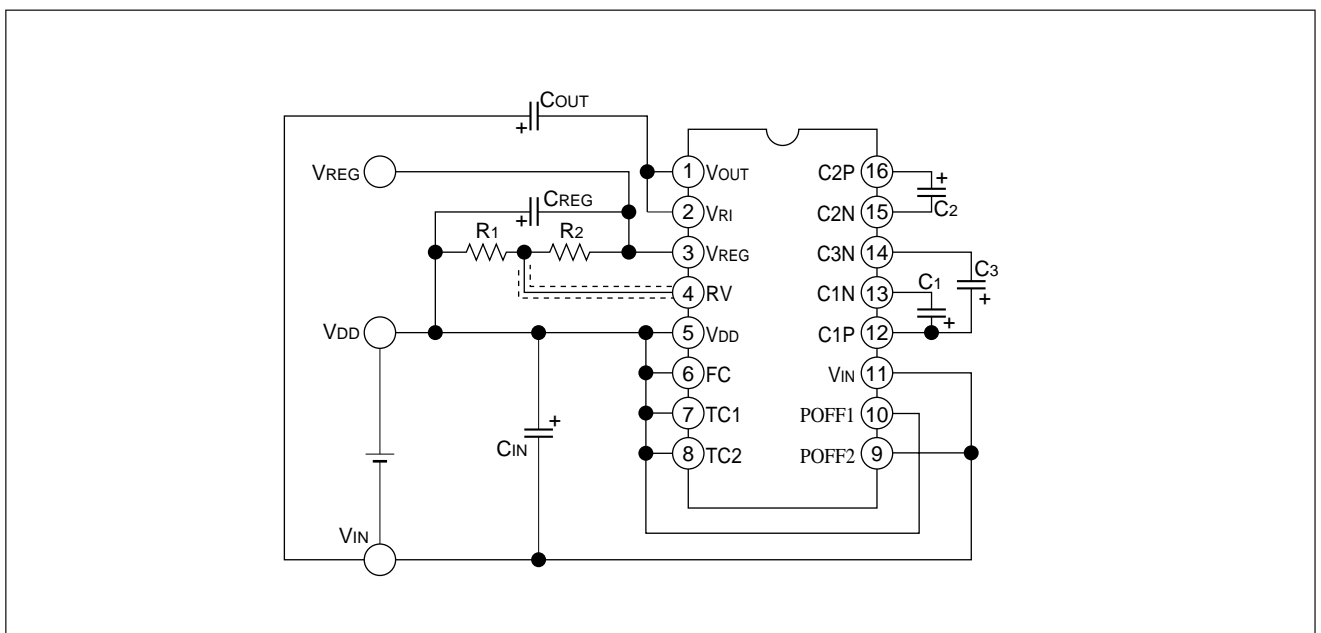
● Four-time booster circuit

This example drives the booster circuit only, boosts the V_{IN} input voltage four times in negative direction, and outputs it at the V_{OUT} pin. However, this does not have a voltage regulator and the voltage at V_{OUT} pin may have a ripple.

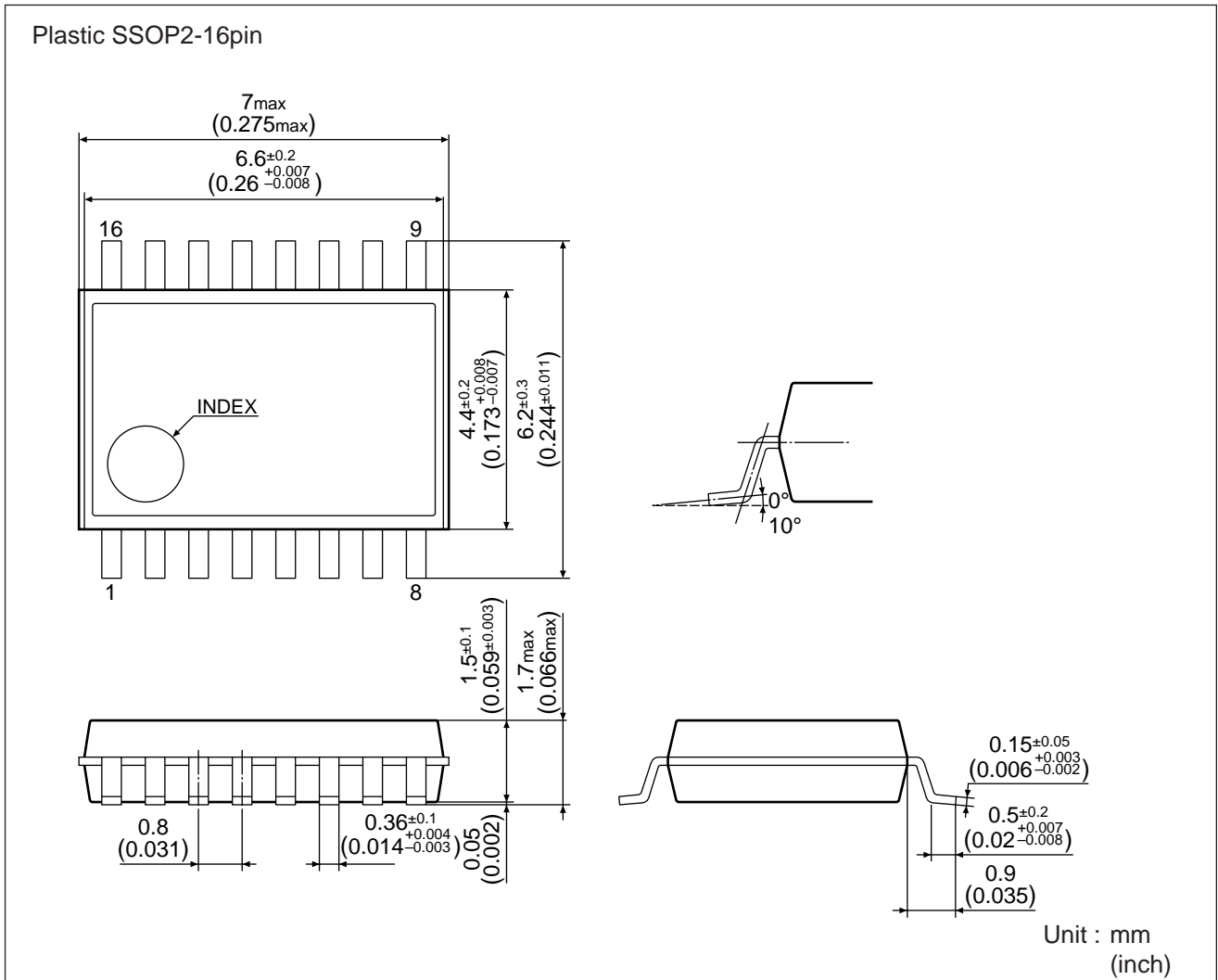


● Four-time booster and regulator circuits

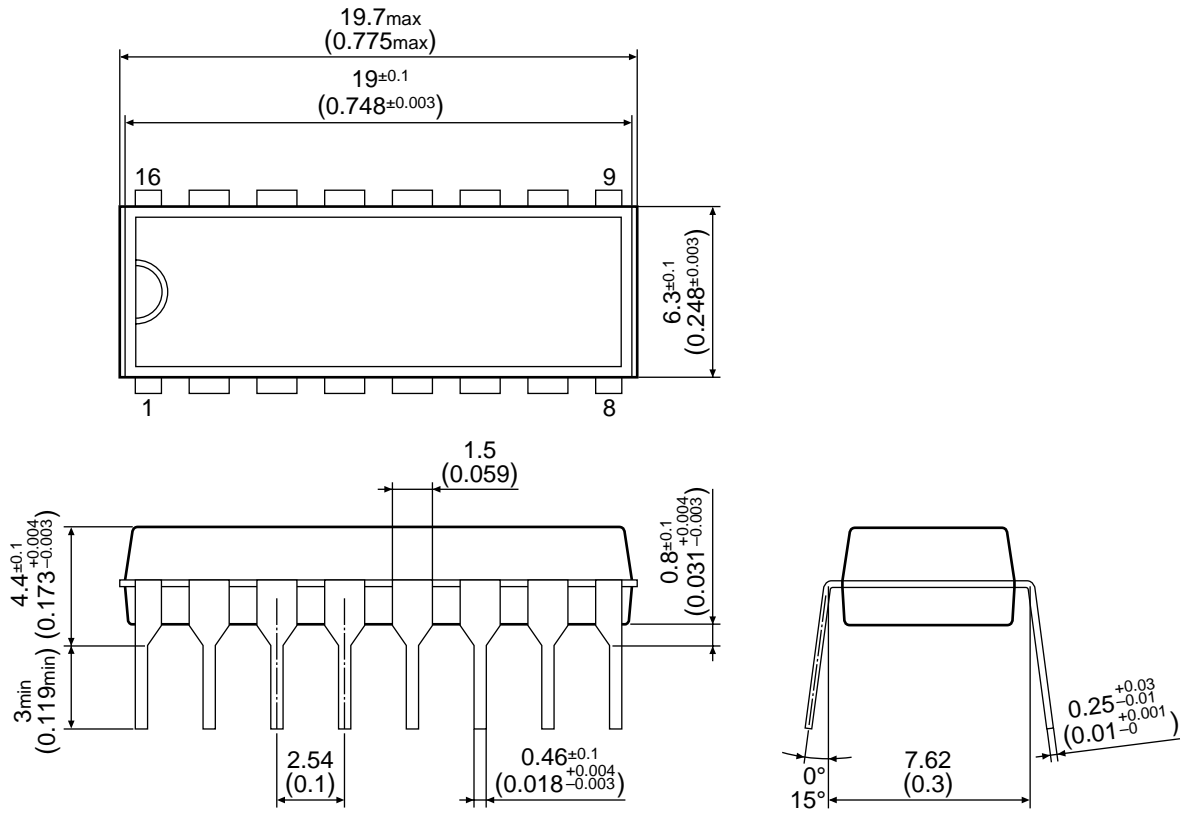
This example receives a boost output from V_{OUT} pin, stabilizes it via the voltage regulator circuit, and outputs a voltage having the temperature gradient at V_{REG} pin via the temperature gradient selector circuit.



■ PACKAGE DIMENSIONS



Plastic DIP-16pin



Unit : mm
(inch)

NOTICE:

No part of this material may be reproduced or duplicated in any form or by any means without the written permission of Seiko Epson. Seiko Epson reserves the right to make changes to this material without notice. Seiko Epson does not assume any liability of any kind arising out of any inaccuracies contained in this material or due to its application or use in any product or circuit and, further, there is no representation that this material is applicable to products requiring high level reliability, such as, medical products. Moreover, no license to any intellectual property rights is granted by implication or otherwise, and there is no representation or warranty that anything made in accordance with this material will be free from any patent or copyright infringement of a third party. This material or portions thereof may contain technology or the subject relating to strategic products under the control of the Foreign Exchange and Foreign Trade Control Law of Japan and may require an export license from the Ministry of International Trade and Industry or other approval from another government agency.

© Seiko Epson Corporation 1997 All right reserved.

SEIKO EPSON CORPORATION

ELECTRONIC DEVICE MARKETING DIVISION

ELECTRONIC DEVICE MARKETING DEPARTMENT

IC Marketing & Engineering Group

421-8 Hino, Hino-shi, Tokyo 191, JAPAN

Phone: 0425-87-5816 FAX: 0425-87-5624

International Marketing Department I (Europe, U.S.A.)

421-8 Hino, Hino-shi, Tokyo 191, JAPAN

Phone: 0425-87-5812 FAX: 0425-87-5564

International Marketing Department II (Asia)

421-8 Hino, Hino-shi, Tokyo 191, JAPAN

Phone: 0425-87-5814 FAX: 0425-87-5110

First issue May 1995, revised Mar.1997 in Japan ①