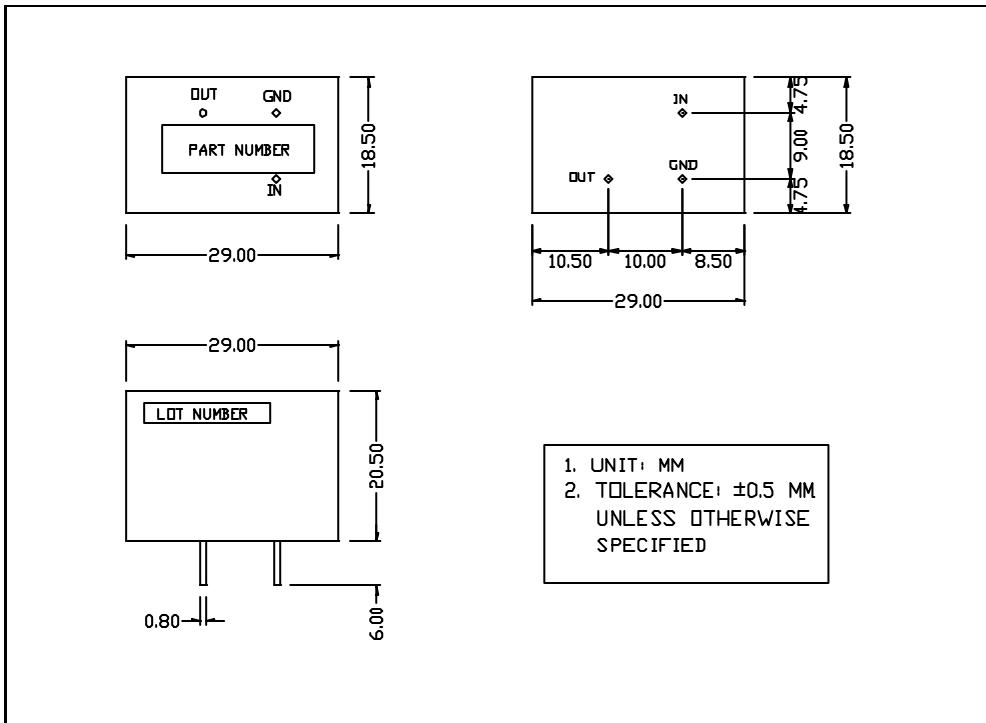




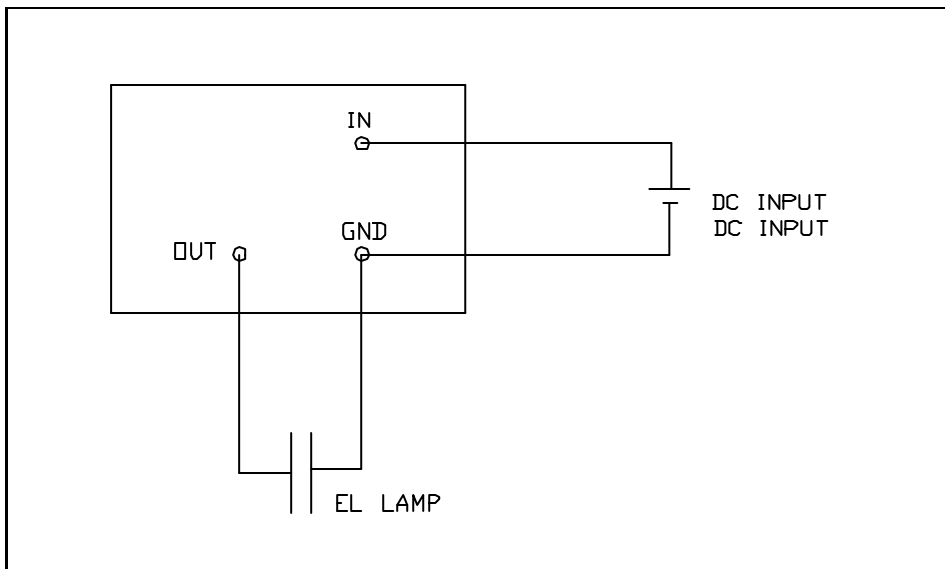
## 1. PHYSICAL DIMENSIONS



## 2. PINS DEFINITION

PIN	FUNCTION
IN	DC INPUT
GND	COMMON GROUND
OUT	OUTPUT FOR EL DRIVING

## 2. APPLICATION METHOD



## 3. ELECTRICAL CHARACTERISTICS

ITEM	SYMBOL	RATINGS	ITEM	SYMBOL	RATINGS
INPUT VOLTAGE	$V_{in}$	5.0V DC	OPERATING TEMP	$T_{op}$	-10~60 C
INPUT CURRENT	$I_{in}$	70 mA	STORAGE TEMP	$T_{st}$	-20~70 C
OUTPUT VOLTAGE	$V_{out}$	90-110V AC	EL SIZE		50 CM <sup>2</sup>
OUTPUT FREQUENCY	F	600-800Hz	LIFE		35,000 Hrs