

12CHARACTER 1-LINE DOT MATRIX LCD CONTROLLER DRIVER with SMOOTH SCROLL FUNCTION

■ GENERAL DESCRIPTION

The **NJU6625** is a Dot Matrix LCD controller driver for 12-character 1-line with icon display in single chip.

It contains bleeder resistance, general output port, keyscan circuit, CR oscillator, microprocessor interface circuit, instruction decoder controller, character generator ROM/RAM, high voltage operation common and segment drivers, and others.

The character generator ROM consisting of 7,840bits stores 224 kinds of character font, Each 1,120 bits CG RAM and Icon display RAM can store 32 kind of special character displayed on the dot matrix display area or 60 kinds of Icon display area.

The 8-common(7 for character, 1 for Icon) and 71-segment drivers operate 12-character 1-line with 60 Icon LCD display and LED driver drives 4 LED which can use like as indicator. The 16th display contrast control function is incorporated. Therefore, only simple power supply circuit on chip operates the contrast adjustment easily.

The complete CR oscillator requires no external components.

The serial interface which operates by 1MHz, communicates with external MCU.

As an outstanding feature, NJU6625 realizes the horizontal smooth scroll of characters by combination of instruction.

■ PACKAGE OUTLINE

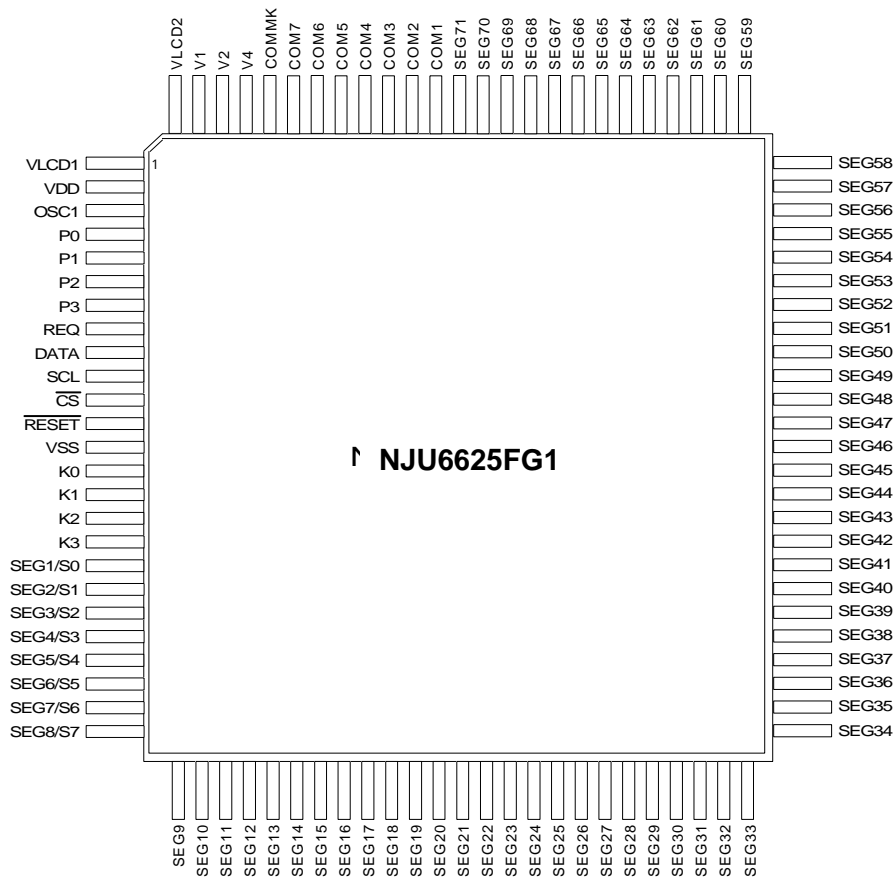


NJU6625FG1

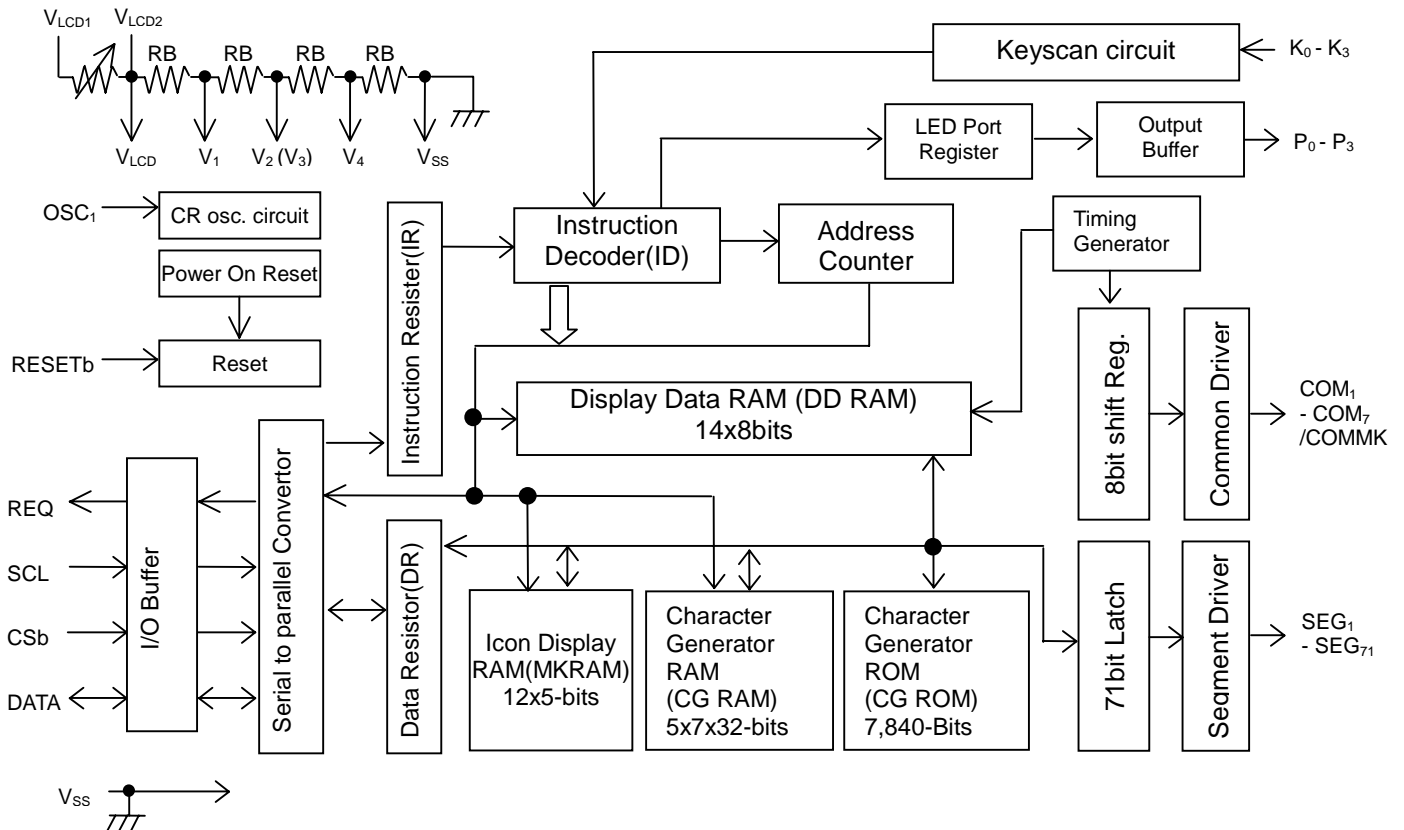
■ FEATURES

- 12-character 1-line Dot Matrix LCD Controller Driver
- Maximum 60 Icon Display
- Serial Direct Interface with Microprocessor
- Display Data RAM 14 x 8 bits :Maximum 12-character 1-line Display
- Character Generator ROM 7,840bits :224 Characters for 5 x 7 Dots
- Character Generator RAM 1,120bits :32 Patterns (5 x 7 Dots)
- Icon Display RAM Maximum 60-Icons
- High voltage LCD Driver 8-common / 71-segment
- Duty and Bias Ratio 1/8 duty, 1/4 bias
- Useful Instruction set Clear Display, Address Home, Display ON/OFF, Display blink, Address shift, Character Shift, Dot Shift, Keyscan ON/OFF cont. e.t.c.
- 32-Key input(4x8 keyscan)
- General output ports (4-ports)
- Power on Initialization / Hardware Reset
- Bleeder resistance on chip
- Software contrast control(16-step)
- Oscillation Circuit on-chip
- Low Power Consumption
- Operating Voltage 2.4 to 5.5V
- Package Outline QFP100-G1
- C-MOS Technology

■ PIN CONFIGURATION



■ BLOCK DIAGRAM



■ TERMINAL DESCRIPTION

No.	SYMBOL	I/O	FUNCTION
2 13	V_{DD} V_{SS}	-	Power Source : $V_{DD}=+5V$, $GND : V_{SS}=0V$
1	V_{LCD1}	I	LCD driving voltage input terminal
100 99 98 97	V_{LCD2} V_1 V_2 V_4	I	LCD driving voltage stabilization capacitor terminals. Connect the capacitor between V_{LCD2} and V_{SS} , V_1 and V_{SS} , V_2 and V_{SS} , V_4 and V_{SS} . typ. : 0.1 μ F
3	OSC_1	I	Resistor connection terminal for oscillation / External clock input terminal
11	CS_b	I	Chip select signal input of serial I/F.
10	SCL	I	Shift clock input of serial I/F.
9	$DATA$	I/O	Serial data input of serial I/F.
12	$RESET_b$	I	Reset terminal When the "L" level is input over than 1.2ms to this terminal, the system will be reset (at f_{OSC} 145KHz).
4-7	P_0 - P_3	O	General output port LED driver drives LED as indicator on ethers.
8	REQ	O	Key request signal output terminal.
14-17	K_0 - K_3	I	Key scanning input terminals.
18-25	SEG_1/S_0 - SEG_8/S_7	O	LCD segment driving signal output / Key scanning output terminals.
26-88	SEG_9 - SEG_{71}	O	LCD segment driving signal output terminals.
89-95	COM_1 - COM_7	O	LCD common driving signal output terminals.
96	$COMMK$	O	LCD Icon common driving signal output terminals.

FUNCTIONAL DESCRIPTION

(1-1) Register

The **NJU6625** incorporates two 8-bit registers, an Instruction Register (IR) and a Data Register (DR). The Register (IR) stores instruction codes such as "Clear Display" and "Cursor Shift" or address data for Display Data RAM (DDRAM), Character Generator ROM (CGRAM) and Icon Display RAM (MKRAM).

The Register (DR) is a temporary register, the data in the Register (DR) is written into the DDRAM, CGRAM or MKRAM.

The data in the Register (DR) written by the MPU is transferred automatically to the DDRAM, CGRAM or MKRAM by internal operation.

These two registers are selected by the selection signal RS as shown below.

(1-2) Address Counter (AC)

The address counter (AC) addresses the DDRAM, CGRAM or MKRAM.

When the address setting instruction is written into the Register (IR), the address information is transferred from Register (IR) to the Counter (AC). The selection of either the DDRAM, CGRAM or MKRAM is also determined by this instruction.

After writing (or reading) the display data to (or from) the DDRAM, CGRAM or MKRAM, the Counter (AC) increments (or decrements) automatically.

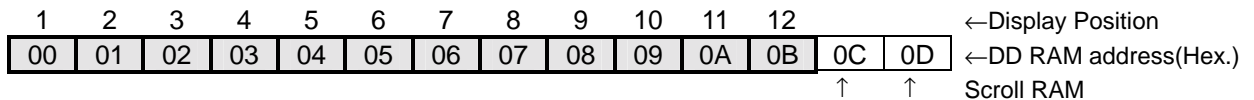
(1-3) Display Data RAM(DD RAM)

The Display Data RAM (DD RAM) consist of 14 x 8 bits stores up to 14-character display data represented in 8-bit code. (2 out of the 14-characters are used for scroll RAM.)

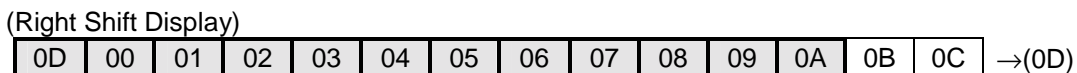
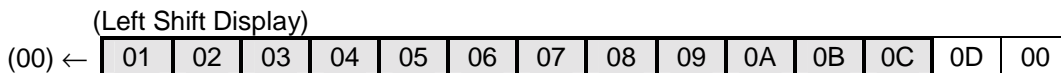
The DDRAM address data set in the address counter (AC) is represented in Hexadecimal.



The relation between DDRAM address and display position on the LCD is shown below.



When the display shift is performed, the DDRAM address changes as follows:



(1-4) Character Generator ROM (CG ROM)

The Character Generator ROM (CG ROM) generates 5 x 7 dots character pattern represented in 8-bit character code.

The storage capacity is up to 224 kinds of 5 x 7 dots character pattern (available address is (20)_H through (FF)_H).

The correspondence between character code and standard character pattern of **NJU6625** is shown in Table 1. User-defined character patterns (Custom Font) are also available by mask option.

Table 1. CG ROM Character Pattern (ROM version -02)

		UPPER 4bit(HEX)																		
		0	1	2	3	4	5	6	7	8	9	A	B	C	D	E	F			
LOWER 4bit(HEX)	0	CG RAM (01)	(17)		0	1	2	3	4	5	6	7	8	9	A	B	C	D	E	F
	1	(02)	(18)	!	0	1	2	3	4	5	6	7	8	9	A	B	C	D	E	F
	2	(03)	(19)	!	0	1	2	3	4	5	6	7	8	9	A	B	C	D	E	F
	3	(04)	(20)	!	0	1	2	3	4	5	6	7	8	9	A	B	C	D	E	F
	4	(05)	(21)	!	0	1	2	3	4	5	6	7	8	9	A	B	C	D	E	F
	5	(06)	(22)	!	0	1	2	3	4	5	6	7	8	9	A	B	C	D	E	F
	6	(07)	(23)	!	0	1	2	3	4	5	6	7	8	9	A	B	C	D	E	F
	7	(08)	(24)	!	0	1	2	3	4	5	6	7	8	9	A	B	C	D	E	F
	8	(09)	(25)	!	0	1	2	3	4	5	6	7	8	9	A	B	C	D	E	F
	9	(10)	(26)	!	0	1	2	3	4	5	6	7	8	9	A	B	C	D	E	F
	A	(11)	(27)	!	0	1	2	3	4	5	6	7	8	9	A	B	C	D	E	F
	B	(12)	(28)	!	0	1	2	3	4	5	6	7	8	9	A	B	C	D	E	F
	C	(13)	(29)	!	0	1	2	3	4	5	6	7	8	9	A	B	C	D	E	F
	D	(14)	(30)	!	0	1	2	3	4	5	6	7	8	9	A	B	C	D	E	F
	E	(15)	(31)	!	0	1	2	3	4	5	6	7	8	9	A	B	C	D	E	F
	F	(16)	(32)	!	0	1	2	3	4	5	6	7	8	9	A	B	C	D	E	F

(1-5) Character Generator RAM (CG RAM)

The character generator RAM (CG RAM) can store any kind of character pattern in 5 x 7 dots written by the user program to display user's original character pattern. The CG RAM can store 32 kind of character in 5 x 7 dots mode.

To display user's original character pattern stored in the CG RAM, the address data (00)_H-(1F)_H should be written to the DD RAM as shown in Table 1.

Table 2. shows the correspondence among the character pattern, CG RAM address and Data

Table 2. Correspondence of CG RAM address, DD RAM character code and CG RAM character pattern(5 x 7 dots)

Character Code (DD RAM Data)	CG RAM Address		Character Pattern (CG RAM Data)	
7 6 5 4 3 2 1 0 ← → Upper bit Lower bit	7 6 5 4 3 2 1 0 ← → Upper bit Lower bit		4 3 2 1 0 ← → Upper bit Lower bit	
0 0 0 0 0 0 0 0	0 0 0 0 0	0 0 0 0 0 1 0 1 0 0 1 1 1 0 0 1 0 1 1 1 0 1 1 1		Character Pattern Example (1)
0 0 0 0 0 0 0 1	0 0 0 0 1	0 0 0 0 0 1 0 1 0 0 1 1 1 0 0 1 0 1 1 1 0 1 1 1		Character Pattern Example (2)
		0 0 0 0 0 1		
•	•	•	•	
•	•	•	•	
•	•	•	•	
•	•	•	•	
0 0 0 1 1 1 1 1	1 1 1 1 1	1 0 0 1 0 1 1 1 0 1 1 1		Character Pattern Example (32)

* Don't Care

- Note) 1. Character code bit 0 to 4 correspond to the CG RAM address bit 3 to 7 (5bits:32 patterns).
 2. CG RAM address 0 to 2 designate character pattern line position. The 8th line is Don't care line.
 In case of input CG RAM data continuously, invalid address are Cursor position automatically.
 3. Character pattern row position correspond to the CG RAM data bits 0 to 4 are shown above.
 4. CG RAM character patterns are selected when character code of DD RAM bits 5 to 7 are all "0" and these are addressed by character code bits 0 and 1.
 5. "1" for CG RAM data corresponds to display On and "0" to display Off.

(1-6) Icon Display RAM (MK RAM)

The **NJU6625** can display maximum 60 Icons.

The Icon Display can be controlled by writing the Data in MK RAM corresponds to the Icon.

The relation between MK RAM address and Icon Display position is shown below:

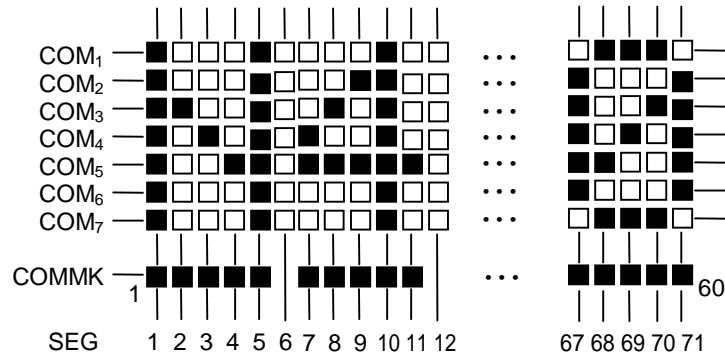


Table 3. Correspondence among Icon Position, MK RAM Address and Data

MK RAM Address (10 _H to 1B _H)		Bits for Icon Display Position							
		D ₇	D ₆	D ₅	D ₄	D ₃	D ₂	D ₁	D ₀
1 0000	10 _H	0	0	0	"1"	"2"	"3"	"4"	"5"
1 0001	11 _H	0	0	0	"6"	"7"	"8"	"9"	"10"
1 0010	12 _H	0	0	0	"11"	"12"	"13"	"14"	"15"
1 0011	13 _H	0	0	0	"16"	"17"	"18"	"19"	"20"
:	:	:							
1 1011	1B _H	0	0	0	"56"	"57"	"58"	"59"	"60"

Note) There is no icon, on the segment terminals which are six times number of lines. (6th, 12th, 18th, 24th....)

After power on or hardware reset, the data of MK RAM can not be initialized. To display Icons, the data of MKRAM need to be written in before display on. The displayed icons can not be shifted by Display Shift instruction. The MK RAM data at (1C)_H and (1D)_H address can not be used, because the address will be automatically increased, even the data was written into (1C)_H and (1D)_H, there is change of display.

(1-7) Timing Generator

The timing generator generates a timing signals for the DD RAM, CG RAM and MK RAM and other internal circuits.

RAM read timing for the display and internal operation timing for MPU access are separately generated, so that they may not interfere with each other.

Therefore, when the data write to the DD RAM for example, there will be no undesirable influence, such as flickering, in areas other than the display area.

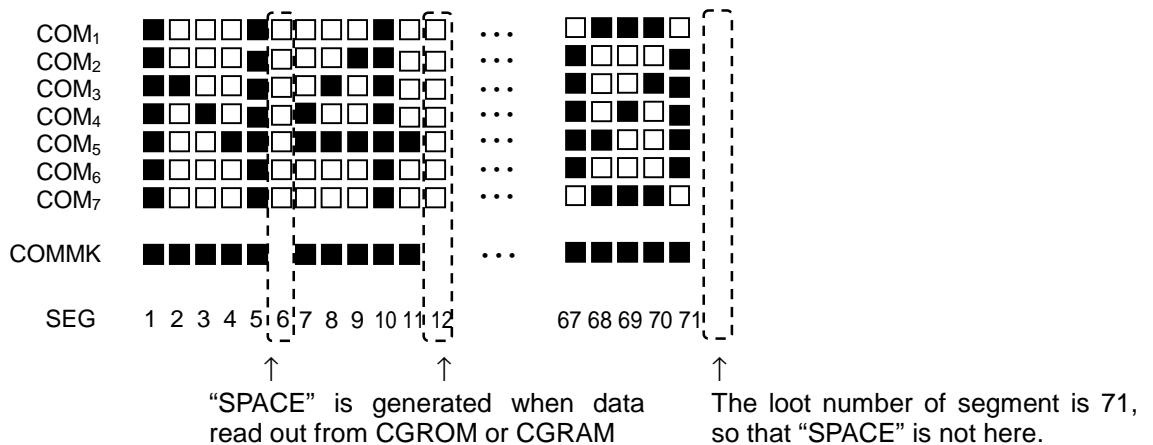
(1-8) LCD Driver

LCD Driver consists of 8-common driver and 71-segment driver.

The character pattern data are latched to the addressed Segment-register respectively. This latched data controls display driver to output LCD driving waveform.

Note) Display

The **NJU6625** generate "SPACE" automatically on the segment terminals. Which are six times number of lines, regardless the smooth scroll function. In busy of the smooth scroll operation, this "SPACE" scrolls also with characters, there is no icon on the segment terminals which are six times number of lines.



(1-9) Keyscan circuit

The Keyscan circuit consists of a detector block of key pressing and a fetching block of key status. It scans 4x8 key matrix and fetches conditions of 32 keys. Furthermore, it operates correctly against the key roll over input.

- Request signal output

When the **NJU6625** detect the key-in by the key scan circuit, it outputs "H" signal as the request signal from the "REQ" terminal to notice the key pressing information to an application system.

The request signal resets to "L" level before 2 clock of next scanning.

- Contents of key register renewal

Contents of key register are "0000 0000" in case of no key operation. Contents of key register are not changed in busy of key data reading operation. Key data is fetched into the key register after 2 clock of the end of a keyscan cycle and kept by the start of next cycle.

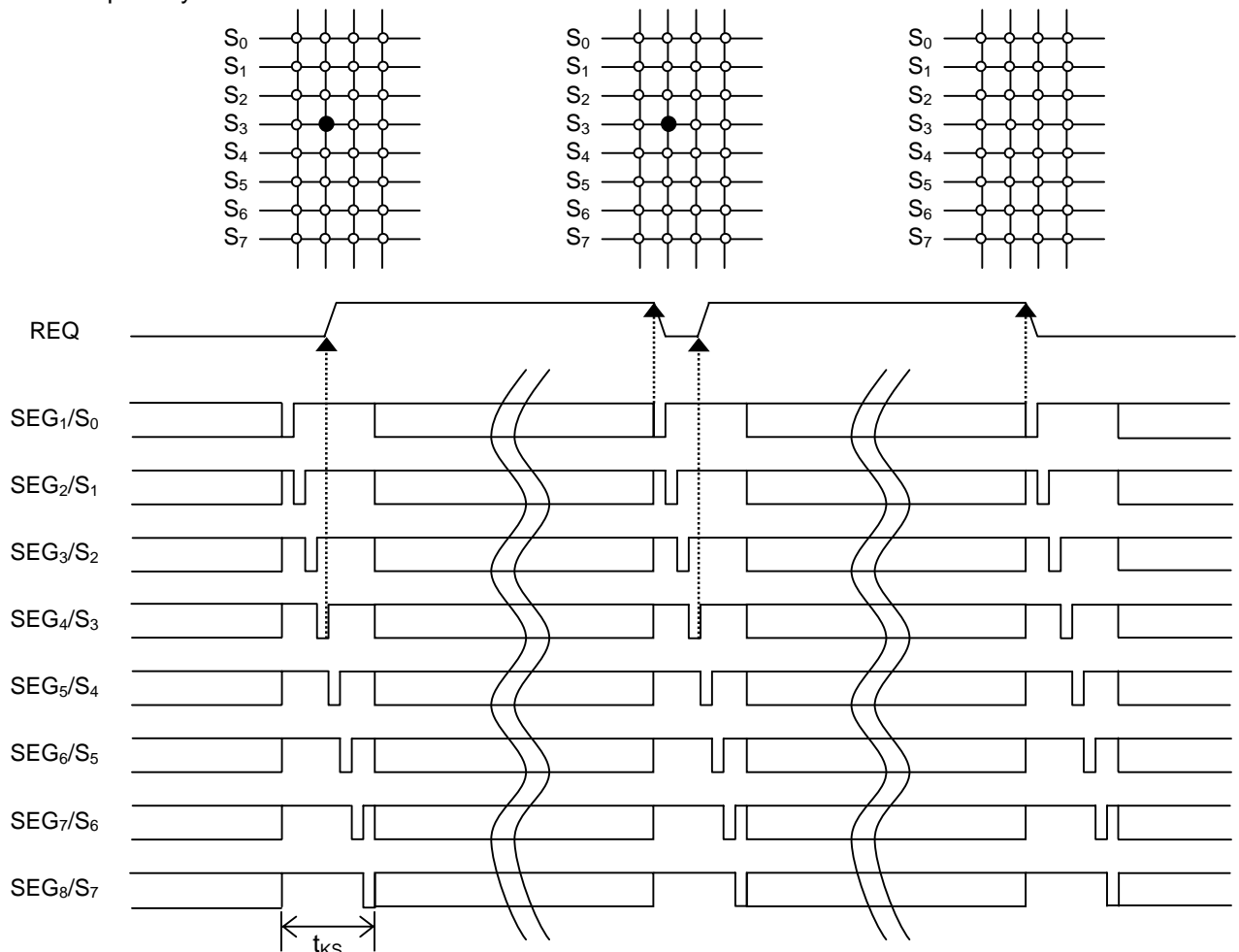
- Key data input terminal and segment terminal

Keyscan signal output terminals operate as segment terminals (SEG₁ to SEG₈) also and keyscan signals are output in interval period of segment signals. Key data input terminals (K₀ to K₃) are pulled up to V_{DD} in busy of keyscan operation (t_{KS}). In this period, terminals of SEG₉ to SEG₇₁ output the voltage of V₂ or V_{LCD2}.

- Keyscan OFF mode

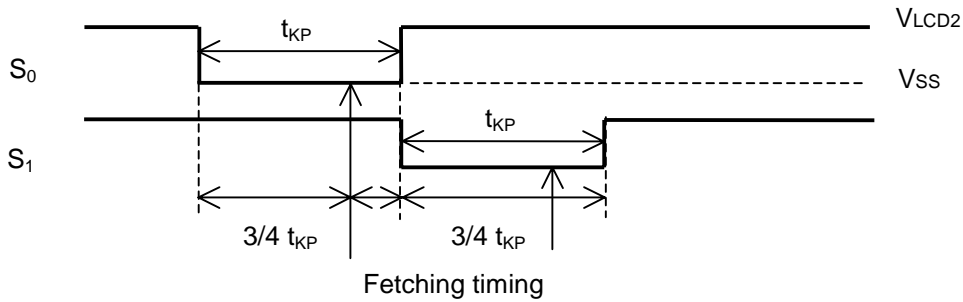
Keyscan operation is turned ON or OFF by the instruction. In case of keyscan OFF, the detector of key pressing is not operating and key data input terminals (K₀ to K₃) are not pulled up during the period of keyscan (t_{KS}). In the period of keyscan (t_{KS}), all of segment terminals (SEG₁ to SEG₇₁) output the voltage of V₂ or V_{LCD2}.

- Example Keyscan



• Key status fetching timing

Key status is fetched at third quarter of "L" period (t_{KP}) of scan signals (S_0 to S_7) as shown below:



• Keyscan data format

Scanned 8-bit data of key are read out through the serial I/F.

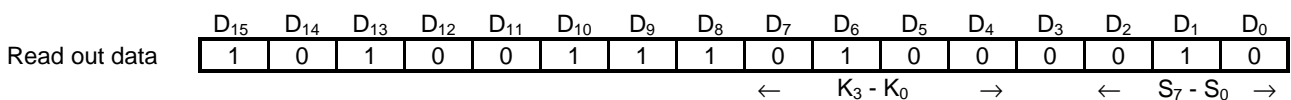
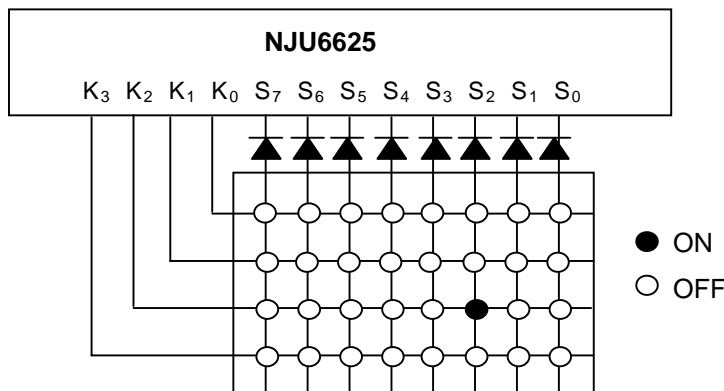


Keyscan output data	KH2	KH1	KH0
S ₇	1	1	1
S ₆	1	1	0
S ₅	1	0	1
S ₄	1	0	0
S ₃	0	1	1
S ₂	0	1	0
S ₁	0	0	1
S ₀	0	0	0

When a key on the key matrix is pressed, the bit corresponding to terminals (K_3 to K_0 , S_7 to S_0) connected the switch goes to "1" and another bits go to "0".

In case of Example 1, when the switch connecting to K_2 and S_2 is pressed, bit (D_6) corresponding to K_2 and bit (D_1) corresponding to S_2 go to "1" but another bits go to "0".

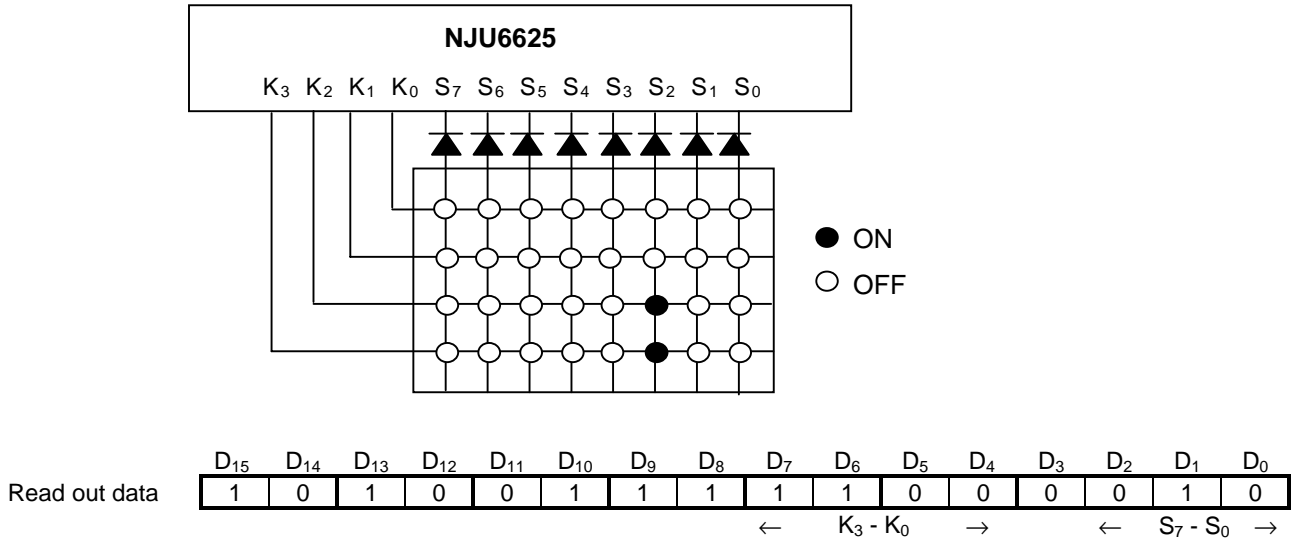
Example 1. One key is pressed



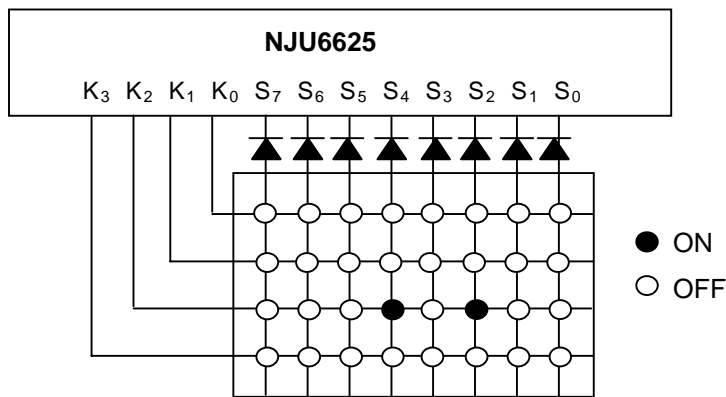
The key roll over input is the vertical line as shown below (Example 2) can be accepted with the keyscan circuit. But in case of Example 3, the key roll over input in the horizontal line can not be accepted.

The key roll over input must be taken care for key data judgement.

Example 2. The key roll over input (1)



Example 3. The key roll over input (2)

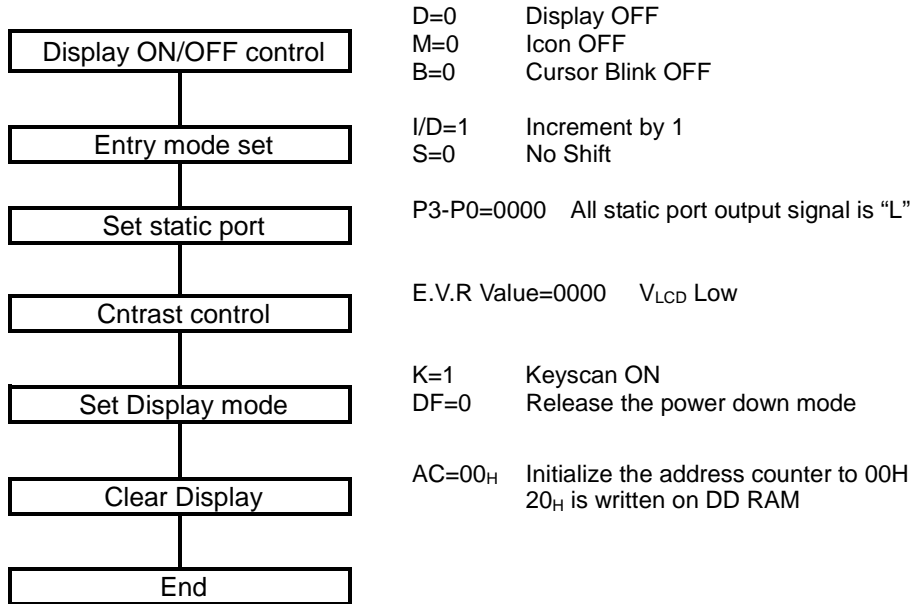


Note) In case of can not read out correct.

(2) Power on Initialization by internal circuits

(2-1) Initialization By Internal Reset Circuits

The **NJU6625** is automatically initialized by internal power on initialization circuits when the power is turned on. In the internal power on initialization, following instructions are executed. During the Internal power on initialization, the busy flag (BF) is "1" and this status is kept 1.5ms ($f_{osc}=145kHz$) after V_{DD} rises to 2.4V. Initialization flow is shown below:

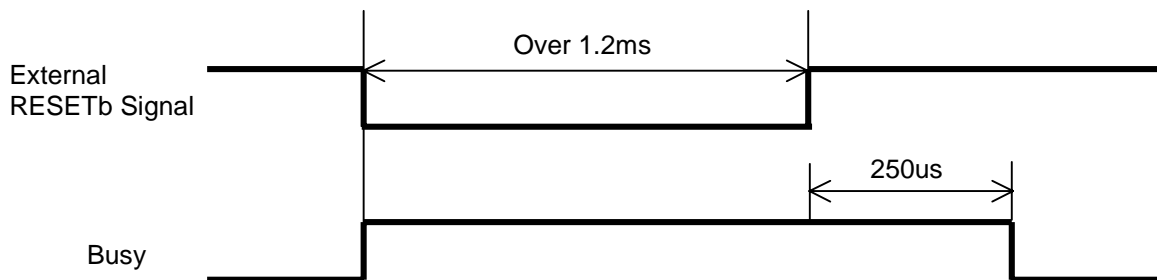


Note) If the condition of power supply rise time described in the Electrical Characteristics is not satisfied, the internal Power On Initialization Circuits will not operated and initialization will not performed. In this case the initialization by MPU software is required.

(2-2) Initialization By Hardware

The **NJU6625** incorporates RESETb terminal to initialize the all system. When the "L" level input over 1.2ms to the RESETb terminal, reset sequence is executed. In this time, busy signal output during 250us ($f_{osc}=145kHz$) after RESETb terminal goes to "H". During this 250us period, any other instruction must not be input to the **NJU6625**.

• Timing Chart



(3) Instructions

The **NJU6625** incorporates two registers, an Instruction Register (IR) and a Data Register (DR).

These two registers store control information temporarily to allow interface between **NJU6625** and MPU or peripheral ICs operating different cycles.

Table 4. Table of Instructions

Instruction		Code																Execute Time *1
		D ₁₅	D ₁₄	D ₁₃	D ₁₂	D ₁₁	D ₁₀	D ₉	D ₈	D ₇	D ₆	D ₅	D ₄	D ₃	D ₂	D ₁	D ₀	
(a)	Maker Testing	1	0	0	1	1	1	1	1	Test Data							-	
(b)	Clear Display	1	0	0	1	1	0	0	1	*	*	*	*	*	*	*	*	234.48us
(c)	Return Home	1	0	0	1	0	0	0	1	*	*	*	*	*	*	*	*	0us
(d)	Entry Mode Set	1	0	0	0	1	0	0	0	*	*	*	*	*	*	I/D	S	0us
(e)	Display ON/OFF Control	1	0	0	0	1	0	0	1	*	*	*	*	*	D	M	B	0us
(f)	Address Shift	1	0	0	1	0	0	1	0	*	*	*	*	*	*	*	ARL	0us
(g)	Display Shift	1	0	0	0	1	0	1	0	*	*	*	*	*	*	*	DRL	0us
(h)	Set Static Port	1	0	0	0	1	0	1	1	*	*	*	*	P3	P2	P1	P0	0us
(i)	Contrast Control	1	0	0	0	1	1	0	0	*	*	*	*	E.V.R Value				0us
(j)	Dot Shift	1	0	0	0	1	1	0	1	*	*	*	*	*	Number of Dot Shift			0us
(k)	Set Display Mode	1	0	0	0	1	1	1	0	*	*	*	*	*	*	K	PD	0us
(l)	Set DD/MK RAM Address	1	0	0	1	0	0	1	1	*	*	*	DD RAM (00 to 0D) _H MK RAM (10 to 1D) _H				0us	
(m)	Set CG RAM Address	1	0	0	1	0	0	0	0	CG RAM (00 to FE) _H							0us	
(n)	Write DD RAM Data	1	0	0	1	1	0	0	0	Write Data (DD RAM)							41.38us	
	Write MK RAM Data	1	0	0	1	1	0	0	0	*	*	*	Write Data (MK RAM)				41.38us	
	Write CG RAM Data	1	0	0	1	1	0	0	0	*	*	*	Write Data (CG RAM)				41.38us	
(o)	Read Keyscan Data	1	0	1	0	0	1	1	1	Key Data							0us	

*1 $f_{OSC}=145\text{KHz}$. If the oscillation frequency is changed, the execution time is also changed.

(3-1) Description of each instructions

(a) Maker Test

	D ₁₅	D ₁₄	D ₁₃	D ₁₂	D ₁₁	D ₁₀	D ₉	D ₈	D ₇	D ₆	D ₅	D ₄	D ₃	D ₂	D ₁	D ₀
Code	1	0	0	1	1	1	1	1	*	*	*	*	*	*	*	*

*: Don't care

This code is using for device testing mode (only for maker).
 Therefore, please avoid all "0" input or no meaning Enable signal input at data "0".
 (Especially please check the output condition of Enable signal when the power turns on.)

(b) Clear Display

	D ₁₅	D ₁₄	D ₁₃	D ₁₂	D ₁₁	D ₁₀	D ₉	D ₈	D ₇	D ₆	D ₅	D ₄	D ₃	D ₂	D ₁	D ₀
Code	1	0	0	1	1	0	0	1	*	*	*	*	*	*	*	*

When this instruction is executed, the space code (20)_H is written into every DD RAM address, the DD RAM address (00)_H is set into the address counter and entry mode is set to increment. The S of entry mode does not change.

Note) The character pattern for character code (20)_H must be blank code in the user-defined character pattern (Custom font).

(c) Return Home

	D ₁₅	D ₁₄	D ₁₃	D ₁₂	D ₁₁	D ₁₀	D ₉	D ₈	D ₇	D ₆	D ₅	D ₄	D ₃	D ₂	D ₁	D ₀
Code	1	0	0	1	0	0	0	1	*	*	*	*	*	*	*	*

Return home instruction is executed, the DD RAM address (00)_H is set into the address counter. Display is returned its original position if shifted. The DD RAM contents do not change.

(d) Entry Mode Set

	D ₁₅	D ₁₄	D ₁₃	D ₁₂	D ₁₁	D ₁₀	D ₉	D ₈	D ₇	D ₆	D ₅	D ₄	D ₃	D ₂	D ₁	D ₀
Code	1	0	0	0	1	0	0	0	*	*	*	*	*	*	I/D	S

Entry mode set instruction which sets the address moving direction and display shift On/Off, is executed when the codes of (I/D) and (S) are written into DB₁(I/D) and DB₀(S), as shown below.

(I/D) sets the address increment or decrement, and the (S) sets the whole display shift in the DD RAM writing.

I/D	Function
1	Address increment : The address of the DD RAM or MK RAM or CG RAM increment(+1) when the write.
0	Address decrement : The address of the DD RAM or MK RAM or CG RAM decrement(-1) when the write.

S	Function
1	Whole display shift. The shift direction is determined by I/D. : Shift to the left at I/D=1 and shift to the right at the I/D=0. The display does not shift when writing into CG RAM, MK RAM
0	The display does not shift.

(e) Display ON/OFF Control

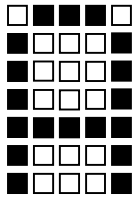
	D ₁₅	D ₁₄	D ₁₃	D ₁₂	D ₁₁	D ₁₀	D ₉	D ₈	D ₇	D ₆	D ₅	D ₄	D ₃	D ₂	D ₁	D ₀
Code	1	0	0	0	1	0	0	1	*	*	*	*	*	D	M	B

Display On/Off control instruction which controls the whole display On/Off and the addressed position character blink, is executed when the codes of (D) and (B) are written into DB₂(D) and DB₀(B), as shown below.

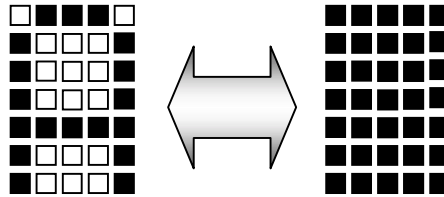
D	Function
1	Display On.
0	Display Off. In the mode, the display data remains in the DD RAM so that it is retrieved immediately on the display when the D change to 1.

M	Function
1	Icon display ON.
0	Icon display OFF.

B	Function
1	The addressed position character is blinking. Blinking rate is 500ms at f _{OSC} =145kHz. The cursor and the blink can be displayed simultaneously.
0	The character does not blink.



Character Font 5 x 7 dots
(1) Cursor display example



Alternating display
(2) Blink display example

When the number of dot-shift is not set "0" in (j) Dot shift instruction, the blink operation will be appeared at the irregular position.

(f) Address Shift

	D ₁₅	D ₁₄	D ₁₃	D ₁₂	D ₁₁	D ₁₀	D ₉	D ₈	D ₇	D ₆	D ₅	D ₄	D ₃	D ₂	D ₁	D ₀
Code	1	0	0	1	0	0	1	0	*	*	*	*	*	*	*	ARL

The Address shift instruction shifts the Address to the right or left without writing or reading display data.

ARL	Function
0	Shift the address position to the left ((AC) is decremented by 1)
1	Shift the address position to the right ((AC) is incremented by 1)

(g) Display Shift

	D ₁₅	D ₁₄	D ₁₃	D ₁₂	D ₁₁	D ₁₀	D ₉	D ₈	D ₇	D ₆	D ₅	D ₄	D ₃	D ₂	D ₁	D ₀
Code	1	0	0	0	1	0	1	0	*	*	*	*	*	*	*	DRL

The Display shift instruction shifts the Display to the right or left without writing or reading display data. The contents of address counter (AC) does not change by operation of the display shift only.

DRL	Function
0	Shifts the whole display to the left and the cursor follows it.
1	Shifts the whole display to the right and the cursor follows it.

(h) Static Port Set

	D ₁₅	D ₁₄	D ₁₃	D ₁₂	D ₁₁	D ₁₀	D ₉	D ₈	D ₇	D ₆	D ₅	D ₄	D ₃	D ₂	D ₁	D ₀
Code	1	0	0	0	1	0	1	1	*	*	*	*	P3	P2	P1	P0

It sets Static Output Port signal which can drive LED directly like as indicator. Initial status is "L".

(i) Contrast Control

	D ₁₅	D ₁₄	D ₁₃	D ₁₂	D ₁₁	D ₁₀	D ₉	D ₈	D ₇	D ₆	D ₅	D ₄	D ₃	D ₂	D ₁	D ₀
Code	1	0	0	0	1	1	0	0	*	*	*	*	C3	C2	C1	C0

Contrast Control instruction which adjusts the contrast of the LCD is executed when the code "1" is written into D₆ and the codes of C3 to C0 are written into D₃ to D₀ as shown below.

The contrast of LCD can be adjusted one of 16 voltage-stages by setting this 4-bit register.

See (4-1) "how to adjust the Contrast of LCD".

Set the binary code "0,0,0,0" when contrast adjustment is unused.

C3	C2		C1	C0	V _{LCD}
0	0	⋮	0	0	Low
		⋮			
1	1		1	1	High

$$V_{LCD} = V_{LCD2} - V_{SS}$$

(j) Dot Shift

	D ₁₅	D ₁₄	D ₁₃	D ₁₂	D ₁₁	D ₁₀	D ₉	D ₈	D ₇	D ₆	D ₅	D ₄	D ₃	D ₂	D ₁	D ₀
Code	1	0	0	0	1	1	0	1	*	*	*	*	*	SC2	SC1	SC0

The dot shift instruction sets shift line and the number of dot-shift.

Combination of this instruction and the Display shift instruction realize the horizontal smooth scroll. Refer to the following table.

SC2	SC1	SC0	Function
0	0	0	No shift.
0	0	1	1 dot-shift to the left.
0	1	0	2 dot-shift to the left.
0	1	1	3 dot-shift to the left.
1	0	0	4 dot-shift to the left.
1	0	1	5 dot-shift to the left.
1	1	0	Don't Care.
1	1	1	

Note 1) Set 1/D=1, S=0, in the entry mode set, for the line using the smooth scroll function.

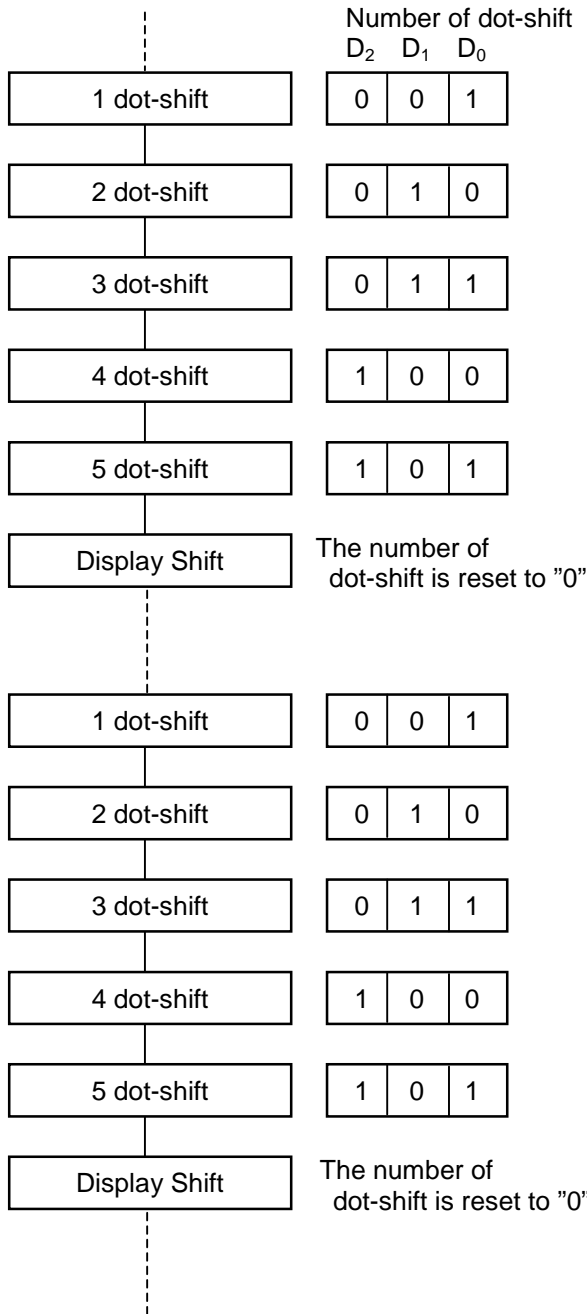
Note 2) The number of dot-shift is reset to "0" by the execution of the Display Shift instruction.

Note 3) Only character is shifted by Dot shift instruction.

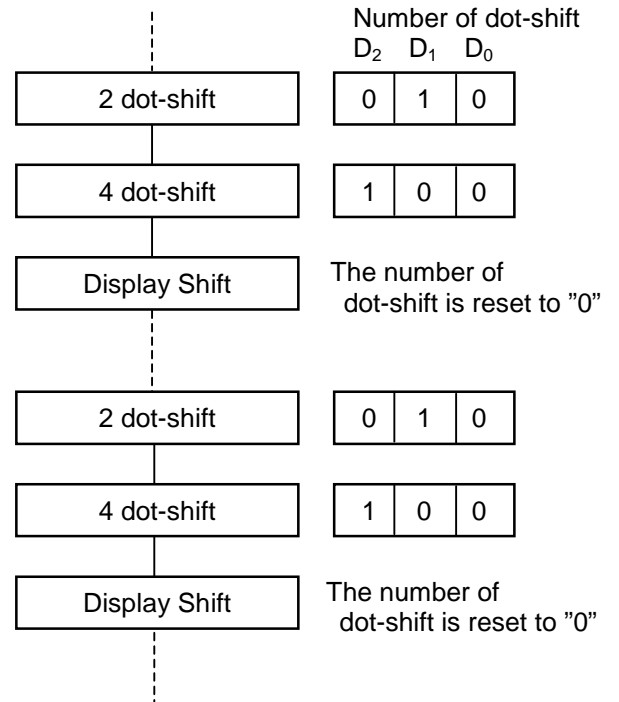
•Smooth scroll sequence

One out of the following three types of smooth scroll can be selected by the instructions.

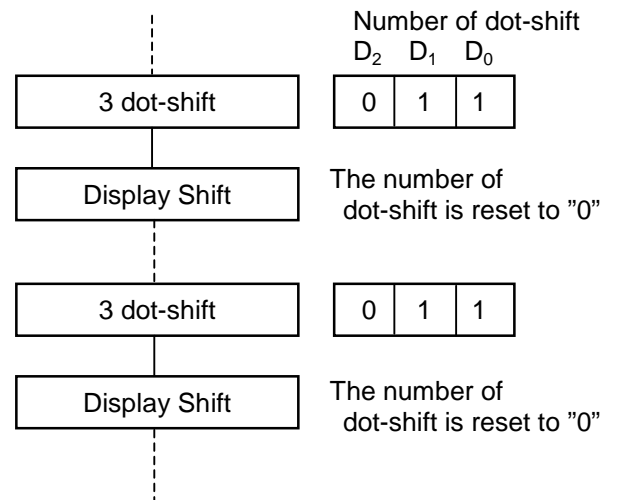
1 dot smooth scroll



2 dot smooth scroll

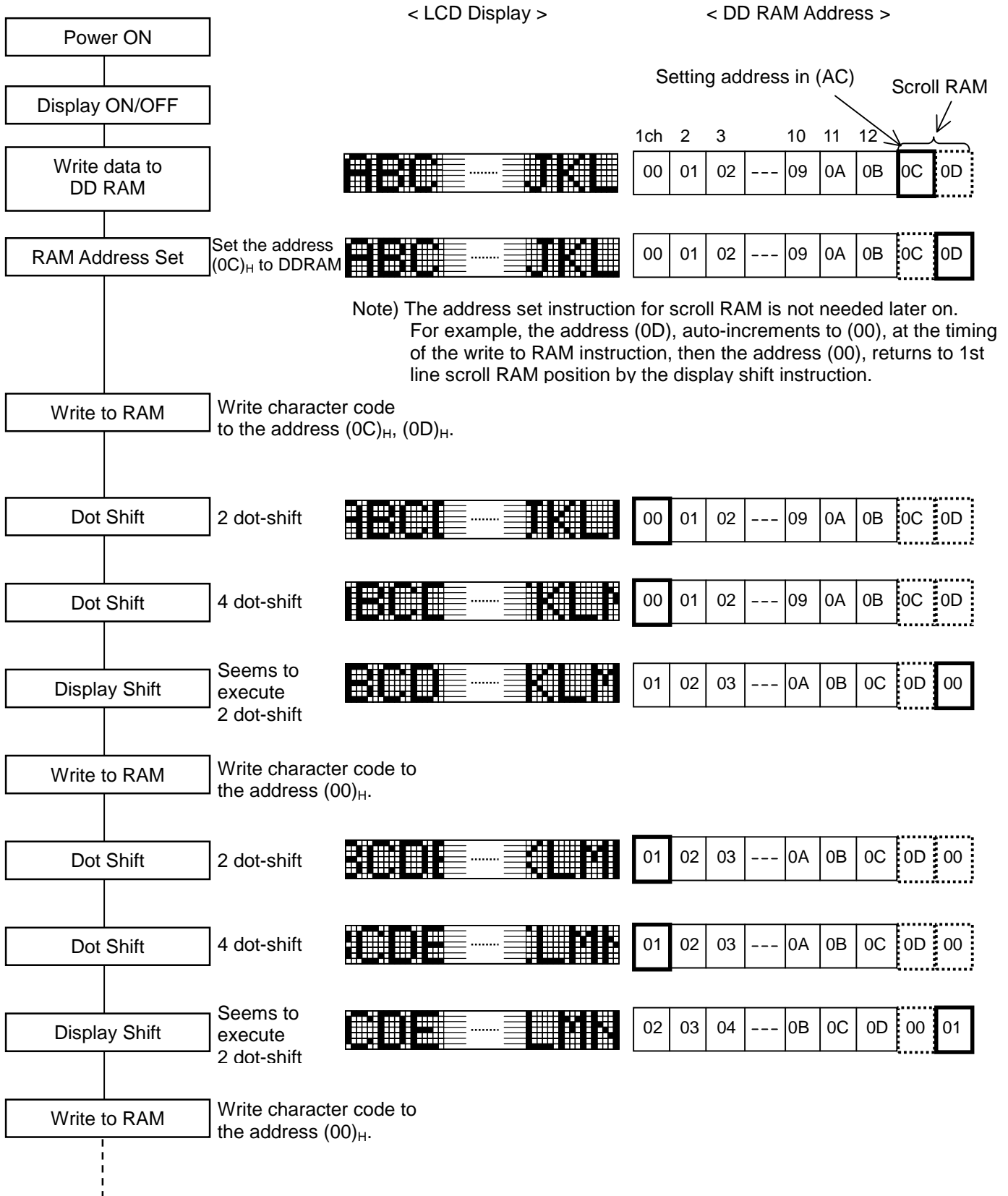


3 dot smooth scroll



• Example of 2 dot smooth scroll

The smooth scroll sequence, which is executed by the 2 dot-shift and 4 dot-shift instruction, LCD display and DD RAM address movement are shown as follows.



Note) The address set instruction for scroll RAM is not needed later on.
 For example, the address (0D), auto-increments to (00), at the timing of the write to RAM instruction, then the address (00), returns to 1st line scroll RAM position by the display shift instruction.

(k) Set Display Mode

	D ₁₅	D ₁₄	D ₁₃	D ₁₂	D ₁₁	D ₁₀	D ₉	D ₈	D ₇	D ₆	D ₅	D ₄	D ₃	D ₂	D ₁	D ₀
Code	1	0	0	0	1	1	1	0	*	*	*	*	*	*	K	PD

The Set Display Mode instruction control the function of keyscan and power down mode.

K	Function
1	Keyscan ON
0	Keyscan OFF In busy of keyscan (t_{KS}), all of segment terminal (S ₀ to S ₇) output the voltage of V ₂ of V _{LCD2} .

PD	Function
1	Power down mode. All common and segment terminal set the voltage level of V _{LCD2} .
0	Release the power down mode.

In busy of Power down mode, do not input any instructions except for release the power down mode.
The power down mode should be set before power off because any irregular display appearance at power off is prevented.

- The key scan operation when switching to the power down mode during key scan

When switching to the power down mode during key scan operation, it stops key scan operation in the period and after power down mode cancellation too.

After power down mode cancellation, the REQ signal maintains "H" when detects key-in signal before switches to power down mode and REQ signal rises to "H".

However, the key scan operation becomes invalid data even if it reads key-in data because it stopped. The key data becomes to valid with the key scan by the next key scan of frame.

(l) Set DD/MK RAM Address

	D ₁₅	D ₁₄	D ₁₃	D ₁₂	D ₁₁	D ₁₀	D ₉	D ₈	D ₇	D ₆	D ₅	D ₄	D ₃	D ₂	D ₁	D ₀
Code	1	0	0	1	0	0	1	1	*	*	*	AD ₄	AD ₃	AD ₂	AD ₁	AD ₀

The address data (D₄ to D₀) is written into the address counter (AC) by this instruction.
After this instruction execution, the data writing is performed into the addressed DD/MK RAM.
The RAM includes DD RAM and MK RAM, and these RAMs are shared by address as shown below.

	RAM Address
DD RAM :	(00) _H to (0D) _H
MK RAM :	(10) _H to (1D) _H

(m) Set CG RAM Address

	D ₁₅	D ₁₄	D ₁₃	D ₁₂	D ₁₁	D ₁₀	D ₉	D ₈	D ₇	D ₆	D ₅	D ₄	D ₃	D ₂	D ₁	D ₀
Code	1	0	0	1	0	0	0	0	AC ₇	AC ₆	AC ₅	AD ₄	AD ₃	AD ₂	AD ₁	AD ₀

The CG RAM address set instruction is executed when the "H" level input to the AC terminal and the address is written into D₇ to D₀ as shown above.

The address data (D₇ to D₀) is written into the address counter (AC) by this instruction.

After this instruction execution, the data writing is performed into the addressed RAM.

The RAM includes CG RAM address as shown below.

	RAM Address
CG RAM :	(00) _H to (FE) _H

(n) Write Data to CG, DD or MK RAM

- Write Data to DD RAM

	D ₁₅	D ₁₄	D ₁₃	D ₁₂	D ₁₁	D ₁₀	D ₉	D ₈	D ₇	D ₆	D ₅	D ₄	D ₃	D ₂	D ₁	D ₀
Code	1	0	0	1	1	0	0	0	DD7	DD6	DD5	DD4	DD3	DD2	DD1	DD0

- Write Data to MK RAM

	D ₁₅	D ₁₄	D ₁₃	D ₁₂	D ₁₁	D ₁₀	D ₉	D ₈	D ₇	D ₆	D ₅	D ₄	D ₃	D ₂	D ₁	D ₀
Code	1	0	0	1	1	0	0	0	*	*	*	DM4	DM3	DM2	DM1	DM0

- Write Data to CG RAM

	D ₁₅	D ₁₄	D ₁₃	D ₁₂	D ₁₁	D ₁₀	D ₉	D ₈	D ₇	D ₆	D ₅	D ₄	D ₃	D ₂	D ₁	D ₀
Code	1	0	0	1	1	0	0	0	*	*	*	DC4	DC3	DC2	DC1	DC0

By the execution of this instruction, the binary 8-bit data (A₇ to A₀) are written into the DD RAM, and the binary 5-bit data (A₄ to A₀) are written into the CG or MK RAM. The selection of RAM is determined by the previous instruction. After this instruction execution, the address increment (+1) or decrement (-1) is performed automatically according to the entry mode set. And the display shift is also executed according to the previous entry mode set.

However, the data in MK RAM (1C)_H and (1D)_H are not displayed, but the automatic address increment is performed. And the display is not changed by the data written into MK RAM (1C)_H and (1D)_H.

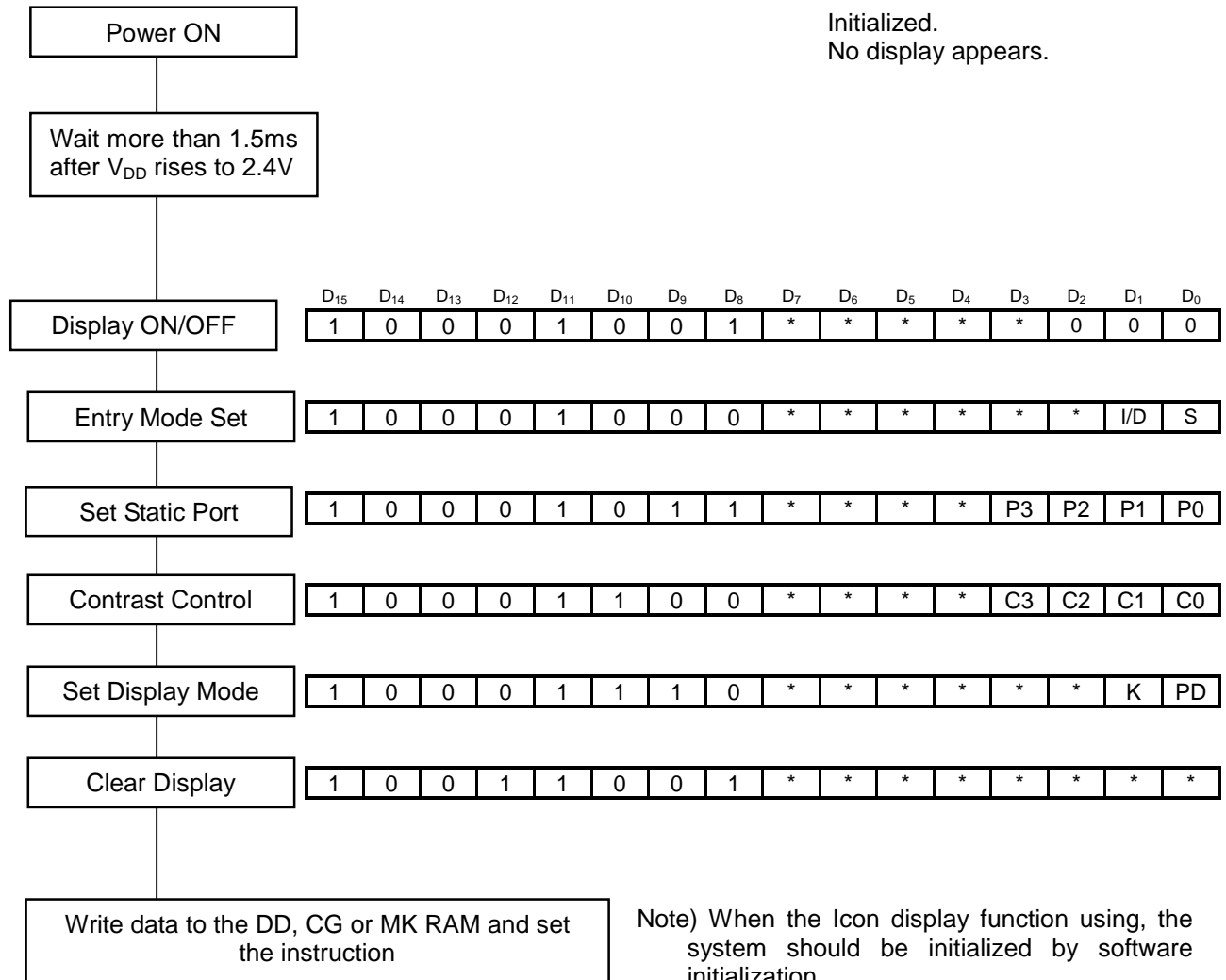
(o) Read Data Key

	D ₁₅	D ₁₄	D ₁₃	D ₁₂	D ₁₁	D ₁₀	D ₉	D ₈	D ₇	D ₆	D ₅	D ₄	D ₃	D ₂	D ₁	D ₀
Code	1	0	1	0	0	1	1	1	KL3	KL2	KL1	KL0	0	KH2	KH1	KH0
	← Input								Output →							

Read data key is a instruction for data reading out of keyscan. However, the bit 8 to 15 are input data. After this 8-bit data were input, the operation change to output from input at the falling edge of 8th SCK clock.

(3-2) Initialization by instruction

If the power supply conditions for the correct operation of the internal reset circuits are not satisfied, the **NJU6625** must be initialized by the instruction.



(4) LCD display

(4-1) Bleeder Resistance

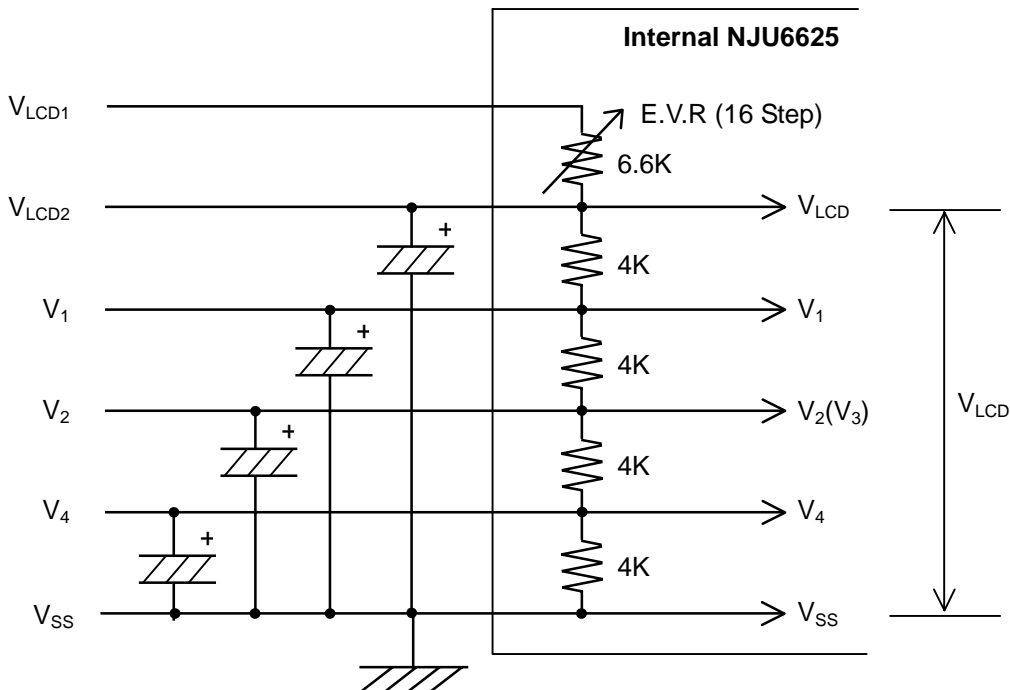
Each LCD driving voltage (V_1 , V_2 , V_3 , V_4) is LCD driving high voltage input to the V_{LCD1} terminal, generated by the E.V.R. and high impedance bleeder resistance.

The bleeder resistance is set 1/4 bias suitable for 1/8 duty ratio.

The capacitor connected between V_{LCD2} / V_1 / V_2 / V_4 and V_{SS} is needed for stabilizing V_{LCD} . The determination of the each capacitance requires to operate with the LCD panel actually.

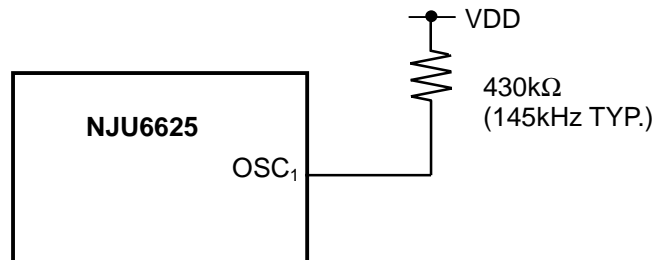
LCD Driving Voltage vs Duty Ratio		
Power supply	Duty Ratio	1/8
	Bias	1/4
V_{LCD}		$V_{LCD2} - V_{SS}$

V_{LCD} is the maximum amplitude for LCD driving voltage.



(4-2) Oscillation Circuit

A resistor is connected to OSC_1 pin to configure the oscillation circuit. External clock can also be inputted through the OSC_1 pin.



■ ABSOLUTE MAXIMUM RATINGS

(Ta=25°C)

PARAMETER	SYMBOL	RATINGS	UNIT	NOTE
Supply Voltage (1)	V _{DD}	-0.3 to +7.0	V	
Supply Voltage (2)	V _{LCD1}	V _{DD} +10.5 to V _{SS} +0.3	V	V _{LCD1} Terminal
Input Voltage	V _t	-0.3 to V _{DD} +0.3	V	
Operating Temperature	T _{opr}	-40 to +85	°C	
Storage Temperature	T _{stg}	-55 to +125	°C	
Power Dissipation	PD	500	mW	

Note 1) If the LSI are used on condition above the absolute maximum ratings, the LSI may be destroyed.

Using the LSI within electrical characteristics is strongly recommended for normal operation.

Use beyond the electric characteristics conditions will cause mal function and poor reliability.

Note 2) Decoupling capacitor should be connected between V_{DD} and V_{SS}, V_{LCD1}-V_{SS} due to the stabilized operation for the Voltage converter.

Note 3) All voltage values are specified as V_{SS} = 0V

The relation : V_{LCD1} ≥ V_{LCD2} > V_{DD} > V_{SS}, V_{SS}=0V must be maintained.

■ ELECTRICAL CHARACTERISTICS

(V_{DD}=4.5V to 5.5V, Ta= -40 to +85°C)

PARAMETER		SYMBOL	CONDITIONS	MIN	TYP	MAX	UNIT	NOTE
Input Voltage (1)		V _{IH1}		0.8V _{DD}	-	V _{DD}	V	4
		V _{IL1}		V _{SS}	-	0.2V _{DD}		
Input Voltage (2)		V _{IH2}		0.8V _{DD}	-	V _{LCD1}	V	5
		V _{IL2}		V _{SS}	-	0.2V _{DD}		
Output Voltage		V _{OH}	-I _{OH} =2mA, V _{DD} =5.0V	4.0	-	-	V	6
		V _{OL}	I _{OL} =2mA, V _{DD} =5.0V	-	-	0.5		
Driver On-resist. (COM)		R _{COM}	± I _d = 1uA(COM Terminal) V _O =V _{LCD} , V _{SS} , V ₁ , V ₄	-	-	40	kΩ	8
Driver On-resist. (SEG)		R _{SEG}	± I _d = 1uA(SEG Terminal) V _O =V _{LCD} , V _{SS} , V ₂	-	-	40	kΩ	8
Pull-up MOS Current 1		-I _{p1}	V _{DD} =5V	5	25	50	uA	5
Pull-up MOS Current 2		-I _{p2}	V _{DD} =5V	10	25	50	uA	5
Input Leakage Current		I _{LI}	V _{IN} = 0 to V _{DD}	-1.0	-	1.0	uA	10
Operating Current		I _{DD1}	V _{DD} =5V, f _{OSC} =145kHz Display, Keyscan ON, Ta=25°C	-	-	500	uA	7
		I _{DD2}	V _{DD} =5V, Stand-by mode, Ta = 25°C	-	7	10	uA	7
Bleeder resistance circuit	LCD Driving Voltage	V ₁	E.V.R Value : "1111" V _{LCD1} - V _{SS} = 8.0V	5.8	6.0	6.2	V	
		V ₂		3.8	4.0	4.2		
		V ₄		1.8	2.0	2.2		
	Bleeder resistance RB=(V _{LCD1} -V _{SS})/IB	RB	E.V.R Value : "1111" V _{LCD1} - V _{SS} =8.0V, Ta=25°C	11.2	16.0	20.8	kΩ	
Internal Oscillation Frequency		f _{OSC}	V _{DD} =5V, Ta=25°C R _{OSC} =430k	72	145	218	kHz	
External Clock Frequency		f _{CP}	Input from OSC ₁	144	290	436	kHz	11
External Clock Duty		Duty	Input from OSC ₁	45	50	55	%	
LCD Display Voltage		V _{LCD1}	V _{LCD1} Terminal, V _{SS} =0V	V _{DD}	-	10.0	V	9
V _{LCD1} Current		I _{LCD1}	V _{LCD1} -V _{SS} =8.0V, Ta=25°C	-	-	1	mA	

Note 4) Apply to the OSC₁, SCL, DATA, CSb, RESETb Terminals.

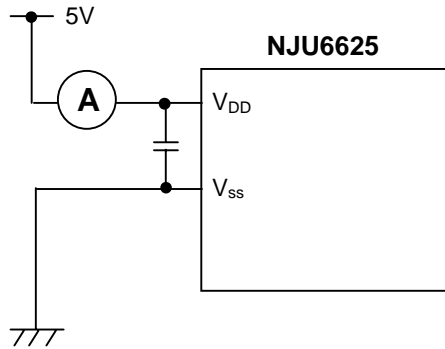
Note 5) "Pull-up MOS Current 1" : Apply to the DATA Terminals.

"Pull-up MOS Current 2" and "Input Voltage 2" : Apply to the K₀ to K₃ Terminals.

Note 6) Apply to the P₀ to P₃, REQ, DATA Terminals.

Note 7) If the input level is medium, current consumption will increase due to the penetration current. Therefore, the input level must be fixed to "H" or "L".

• Operating Current Measurement Circuit



Note 8) R_{COM} and R_{COM} are the resistance values between power supply terminals (V_{SS}, V_{LCD2} or V₁, V₂, V₄) and each common terminal (COM₁ to COM₇/COMMK) and supply voltage (V_{SS}, V_{LCD2} or V₁, V₂, V₄) and each segment terminal (SEG₁ to SEG₇₁) respectively, and measured when the current I_d is flown on every common and segment terminals at a same time.

Note 9) Apply to the output voltage from each COM and SEG are less than +0.15V against the LCD driving constant voltage (V_{DD}, V_{LCD1}) at no load condition.

Note 10) Apply to the SCL, CSb, RESETb Terminals.

Note 11) The external clock frequency is half divided by the built-in frequency divider, therefore the frame frequency is as the same as when the internal oscillation circuit is used.

■ Bus timing characteristics

• Serial Interface Sequence

($V_{DD}=4.5V$ to $5.5V$, $V_{LCD1}=V_{SS}+8.0V$, $T_a=-40$ to $+85^{\circ}C$)

PARAMETER	SYMBOL	MIN	MAX	UNIT	CONDITION
Serial clock cycle time	t_{CYCE}	1	-	us	Fig.1
Serial clock width	t_{SC}	300	-	ns	Fig.1
Chip select pulse width	PW_{CS}	100	-	us	Fig.1
Chip select set up time	t_{CSU}	300	-	ns	Fig.1
Chip select hold time 1	t_{CHI}	300	-	ns	Fig.1
Serial input data set up time	t_{SISU}	300	-	ns	Fig.1
Serial input data hold time	t_{SIH}	300	-	ns	Fig.1
Key data output delay time	t_{KDD}	-	300	ns	Fig.2
Data port direction change time from input to output	t_{SRWD}	-	300	ns	Fig.2
Data port direction change time From output to input	t_{CRWD}	-	300	ns	Fig.2
Chip select hold time 2	t_{CH2}	1	-	us	Fig.2

Fig.1 Input Data Sequence

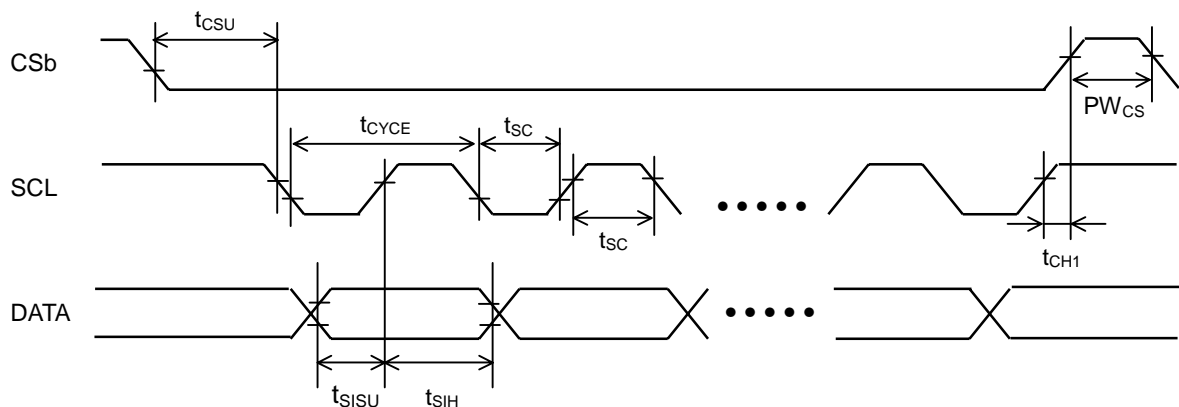
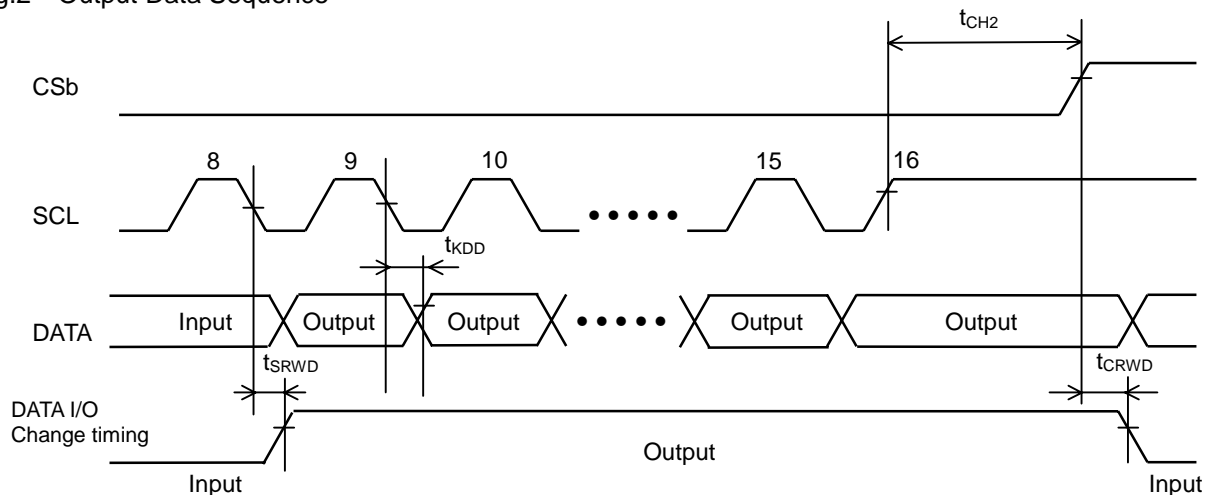


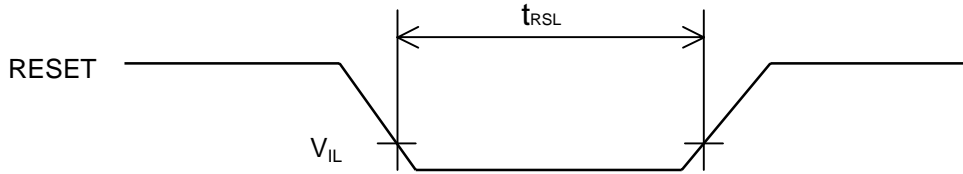
Fig.2 Output Data Sequence



• The Input Condition when using the Hardware Reset Circuit

(Ta=25°C)

PARAMETER	SYMBOL	MIN	TYP.	MAX	UNIT	NOTE
Reset input "L" level width (f _{OSC} =145KHz)	t _{RSL}	1.2	-	-	ms	

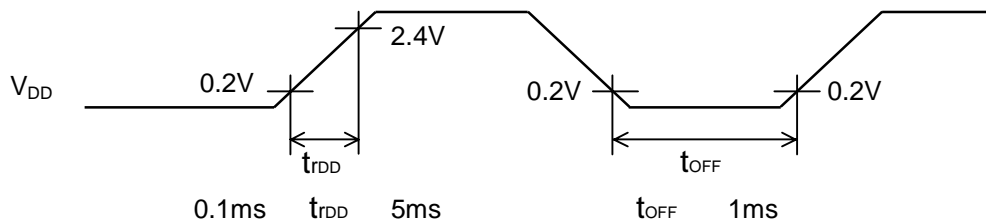


• Power Supply Condition when using the internal initialization circuit

(Ta=25°C)

PARAMETER	SYMBOL	MIN	TYP.	MAX	UNIT	NOTE
Power supply rise time	t _{rDD}	0.1	-	5	ms	
Power supply OFF time	t _{OFF}	1	-	-	ms	

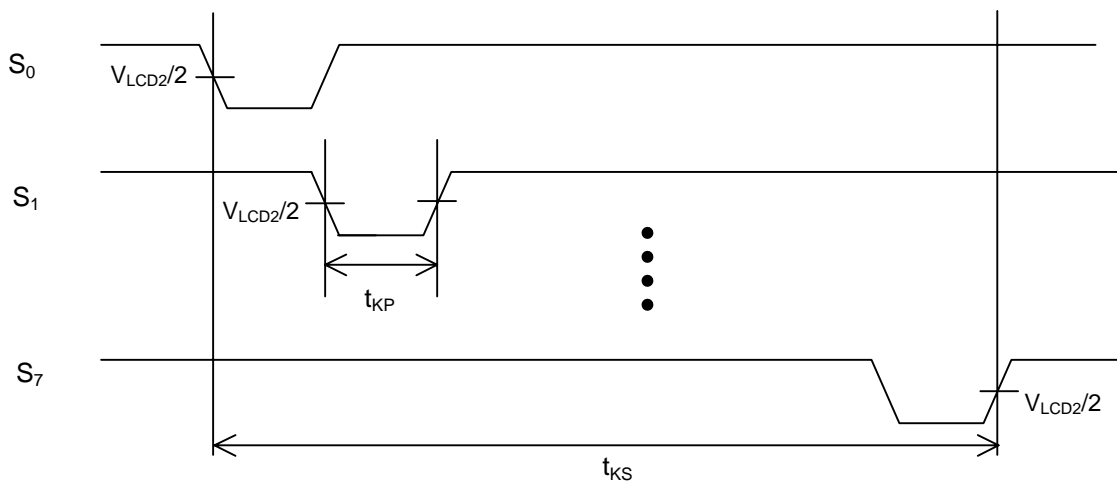
Since the internal initialization circuits will not operate normally unless the above conditions are met, in such a case initialize by instruction. (Refer to initialization by the instruction)



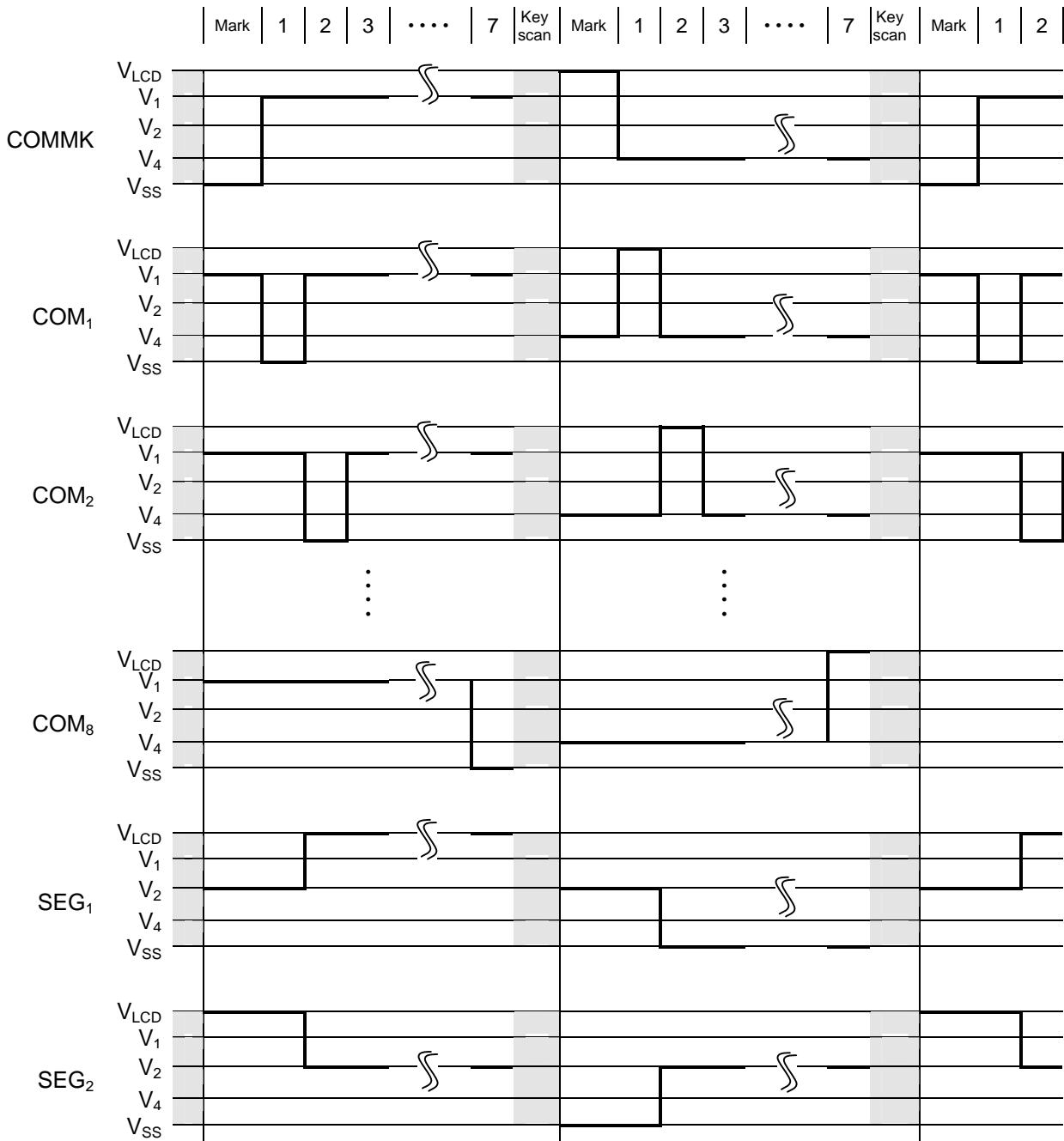
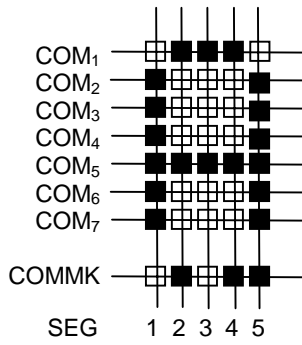
• キースキャンタイミング

(f_{OSC}=145KHz)

PARAMETER	SYMBOL	MIN	TYP.	MAX	UNIT	NOTE
Keyscan time	t _{KS}	-	221	-	us	
Keyscan pulse width	t _{KP}	-	27.6	-	us	

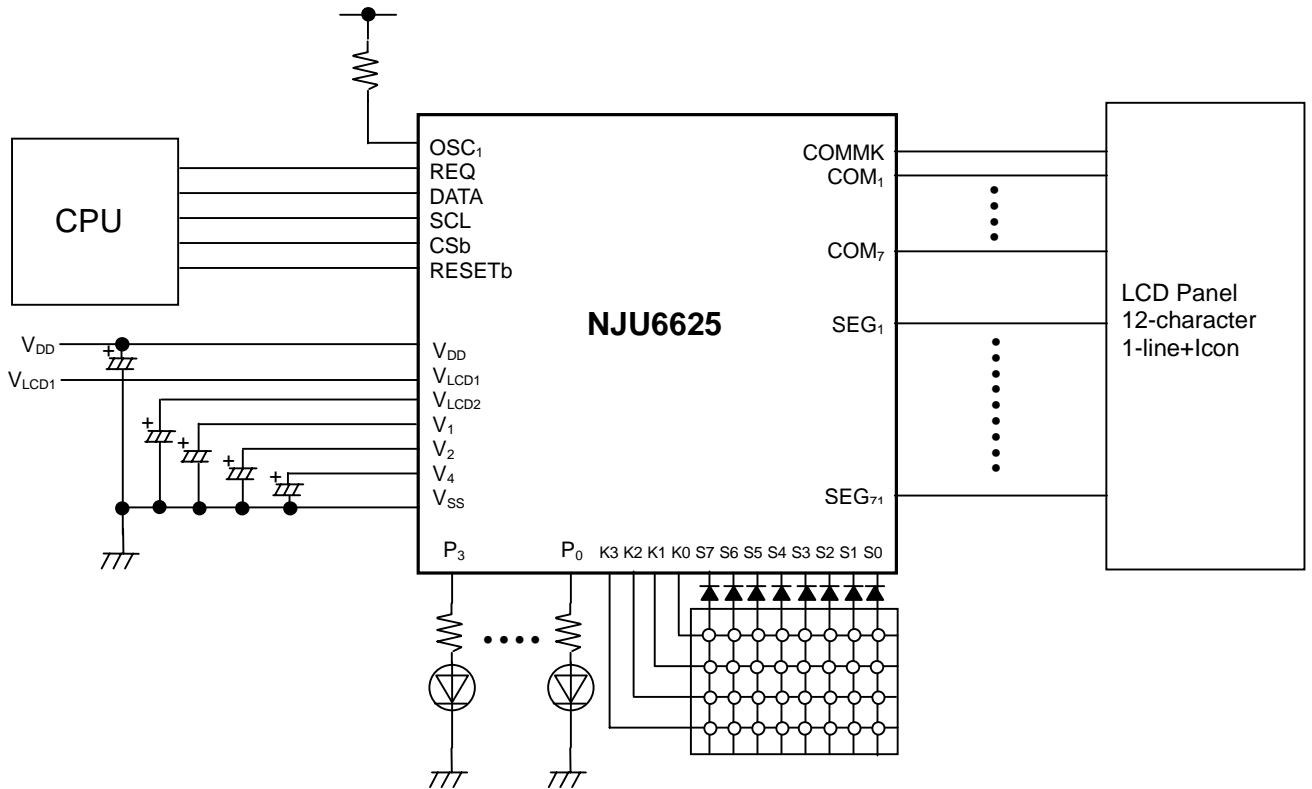


■ LCD DRIVING WAVE FORM



Is Keyscan waveform

■ APPLICATION CIRCUITS



[CAUTION]
 The specifications on this databook are only given for information, without any guarantee as regards either mistakes or omissions. The application circuits in this databook are described only to show representative usages of the product and not intended for the guarantee or permission of any right including the industrial rights.