



LC7940YD,7941YD

Dot-matrix LCD Drivers

Overview

The LC7940YD and LC7941YD are segment driver ICs for driving large, dot-matrix LCD displays. They read 4-bit parallel or serial input, display data from a controller into an 80-bit latch, and then generate LCD drive signals corresponding to that data.

The LC7940YD and LC7941YD feature mirror-image pin assignments, allowing them to be used together to increase component density. They are designed to be used with the LC7942YD common driver to drive large LCD panels.

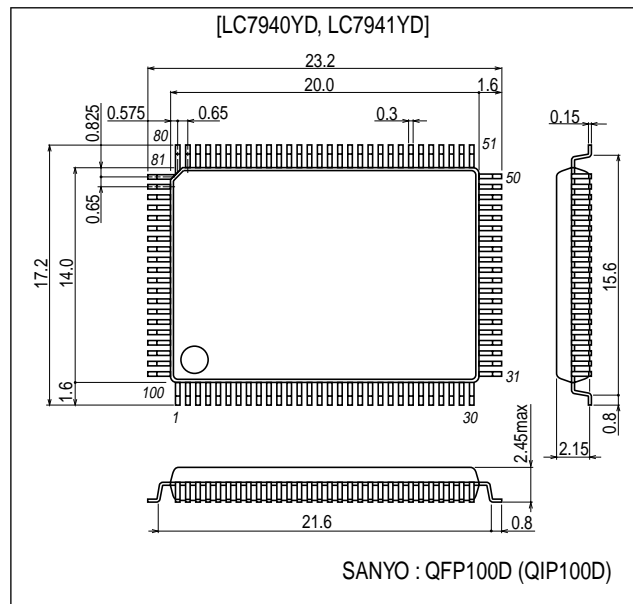
Features

- 80 built-in LCD display drive circuits
- 1/8 to 1/128 display duty cycle
- Serial or 4-bit parallel data input
- Chip disable for low power dissipation for large-sized panels
- Bias supply voltages can be supplied externally
- Operating supply voltage and ambient temperature
 - 2.7 to 5.5 V logic supply (V_{DD}) at $T_a = -20$ to $+85^\circ\text{C}$
 - 8 to 20V LCD supply ($V_{DD} - V_{EE}$) at $T_a = -20$ to $+85^\circ\text{C}$
- CMOS process
- 100-pin flat plastic package

Package Dimensions

unit: mm

3180-QIP100D



Specifications

Absolute Maximum Ratings at $T_a = 25 \pm 2^\circ\text{C}$, $V_{SS} = 0\text{ V}$

Parameter	Symbol	Ratings	Unit
Logic supply voltage	V_{DD} max	-0.3 to +7.0	V
LCD supply voltage, See Note below.	$V_{DD} - V_{EE}$ max	0 to 22	V
Input voltage	V_I max	-0.3 to $V_{DD} + 0.3$	V

■ Any and all SANYO products described or contained herein do not have specifications that can handle applications that require extremely high levels of reliability, such as life-support systems, aircraft's control systems, or other applications whose failure can be reasonably expected to result in serious physical and/or material damage. Consult with your SANYO representative nearest you before using any SANYO products described or contained herein in such applications.

■ SANYO assumes no responsibility for equipment failures that result from using products at values that exceed, even momentarily, rated values (such as maximum ratings, operating condition ranges, or other parameters) listed in products specifications of any and all SANYO products described or contained herein.

LC7940YD, LC7941YD

Parameter	Symbol	Ratings	Unit
Operating temperature range	T_{opr}	-20 to +85	°C
Storage temperature range	T_{stg}	-40 to +125	°C

Note

$$V_{DD} \geq V_1 > V_3 > V_4 > V_{EE}$$

Recommended Operating Conditions at $T_a = -20$ to $+85^\circ\text{C}$, $V_{SS} = 0\text{V}$

Parameter	Symbol	Conditions	Ratings			Unit
			min	typ	max	
Logic supply voltage	V_{DD}		2.7	–	5.5	V
LCD supply voltage	$V_{DD} - V_{EE}$	See Notes 1 and 2.	8	–	20	V
HIGH-level input voltage	V_{IH}	CP, CDI, DI1 to DI3, M, SDI, P/S, DISPOFF and LOAD	$0.8V_{DD}$	–	–	V
LOW-level input voltage	V_{IL}	CP, CDI, DI1 to DI3, M, SDI, P/S, DISPOFF and LOAD	–	–	$0.2V_{DD}$	V
CP shift clock frequency	f_{CP}			–	3.3	MHz
CP pulsewidth	t_{WC}		100	–	–	ns
LOAD pulsewidth	t_{WL}		100	–	–	ns
DI _n and SDI to CP setup time	t_{SETUP}		80	–	–	ns
DI _n and SDI to CP hold time	t_{HOLD}		80	–	–	ns
CP to LOAD time	t_{CL1}		0	–	–	ns
	t_{CL2}		100	–	–	ns
LOAD to CP time	t_{LC}		100	–	–	ns
CP rise time	t_R		–	–	50	ns
CP fall time	t_F		–	–	50	ns
LOAD rise time	t_{RL}		–	–	50	ns
LOAD fall time	t_{FL}		–	–	50	ns

Notes

- $V_{DD} \geq V_1 > V_3 > V_4 > V_{EE}$
- At turn ON, the LCD supply should be energized after or simultaneously with the logic supply. At turn OFF, the logic supply should be cut after or simultaneously with the LCD supply.

Electrical Characteristics at $T_a = 25 \pm 2^\circ\text{C}$, $V_{SS} = 0\text{V}$, $V_{DD} = 2.7$ to 5.5V

Parameter	Symbol	Conditions	Ratings			Unit
			min	typ	max	
HIGH-level input current	I_{IH}	$V_{IN} = V_{DD}$; LOAD, CP, CDI, P/S, DI1 to DI3, SDI, M, and DISPOFF	–	–	1	μA
LOW-level input current	I_{IL}	$V_{IN} = V_{SS}$; LOAD, CP, CDI, P/S, DI1 to DI3, SDI, M, and DISPOFF	–	–	–1	μA
CDO HIGH-level output voltage	V_{OH}	$I_{OH} = -400\ \mu\text{A}$	$V_{DD} - 0.4$	–	–	V
CDO LOW-level output voltage	V_{OL}	$I_{OL} = 400\ \mu\text{A}$	–	–	0.4	V
O1 to O80 driver ON resistance	R_{ON}	$V_{DD} - V_{EE} = 18\text{V}$, $ V_{DE} - V_O = 0.25\text{V}$. See note	–	2	4	$\text{k}\Omega$

LC7940YD, LC7941YD

Parameter	Symbol	Conditions	Ratings			Unit
			min	typ	max	
V_{DD} to V_{SS} standby supply current	I_{ST}	$CDI = V_{DD}$, $V_{DD} - V_{EE} = 18\text{ V}$, $f_{CP} = 3.3\text{ MHz}$, no output load ; V_{SS}	-	-	200	μA
V_{DD} to V_{SS} operating supply current	I_{SS}	$V_{DD} - V_{EE} = 18\text{ V}$, $f_{CP} = 3.3\text{ MHz}$, $I_{LOAD} = 5.156\text{ kHz}$, $f_M = 52\text{ Hz}$; V_{SS}	-	-	1.0	mA
V_{DD} to V_{EE} operating supply current	I_{EE}	$V_{DD} - V_{EE} = 18\text{ V}$, $f_{CP} = 3.3\text{ MHz}$, $f_{LOAD} = 5.156\text{ kHz}$, $f_M = 52\text{ Hz}$; V_{EE}	-	-	0.1	mA
CP input capacitance	C_I	$f_{CP} = 3.3\text{ MHz}$; CP	-	5	-	pF

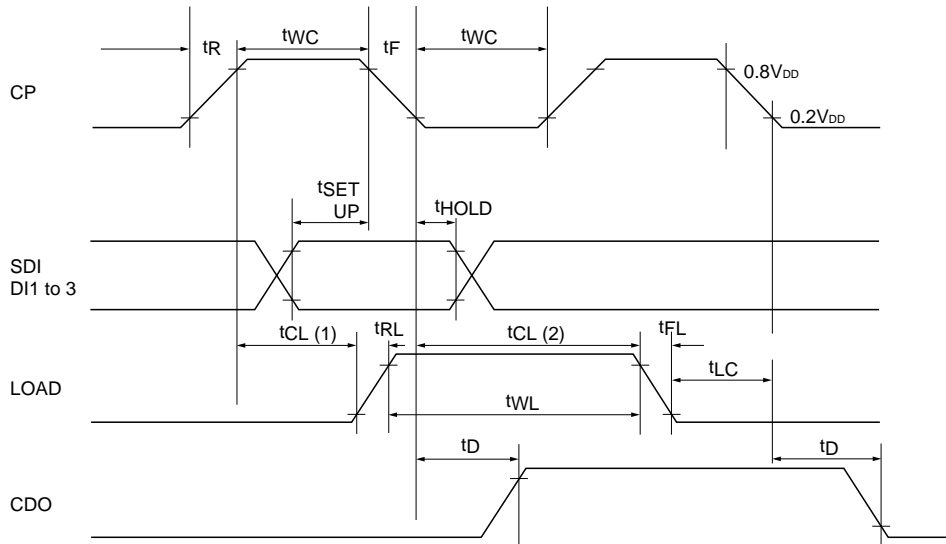
Note

$V_{DD} = V_1$ or V_3 , or V_4 or V_{EE} , $V_1 = V_{DD}$, $V_3 = 9/11 \times (V_{DD} - V_{EE})$, $V_4 = 2/11 \times (V_{DD} - V_{EE})$

Switching Characteristics at $T_a = 25 \pm 2^\circ\text{C}$, $V_{SS} = 0\text{ V}$, $V_{DD} = 2.7$ to 5.5 V

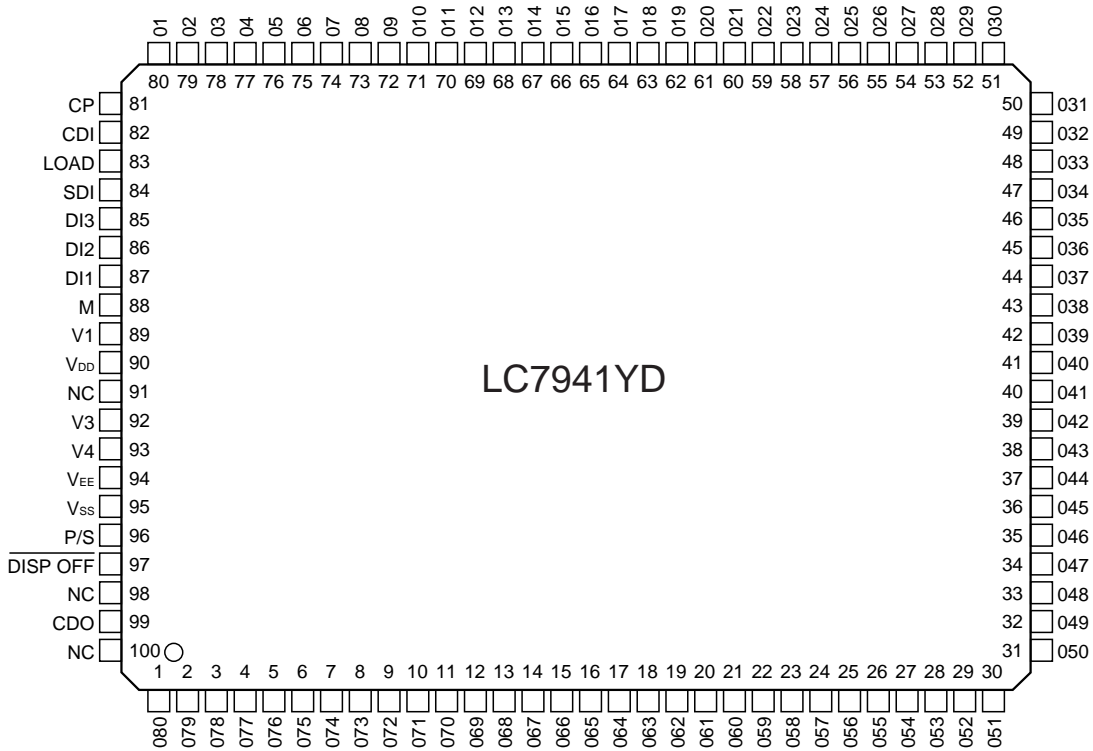
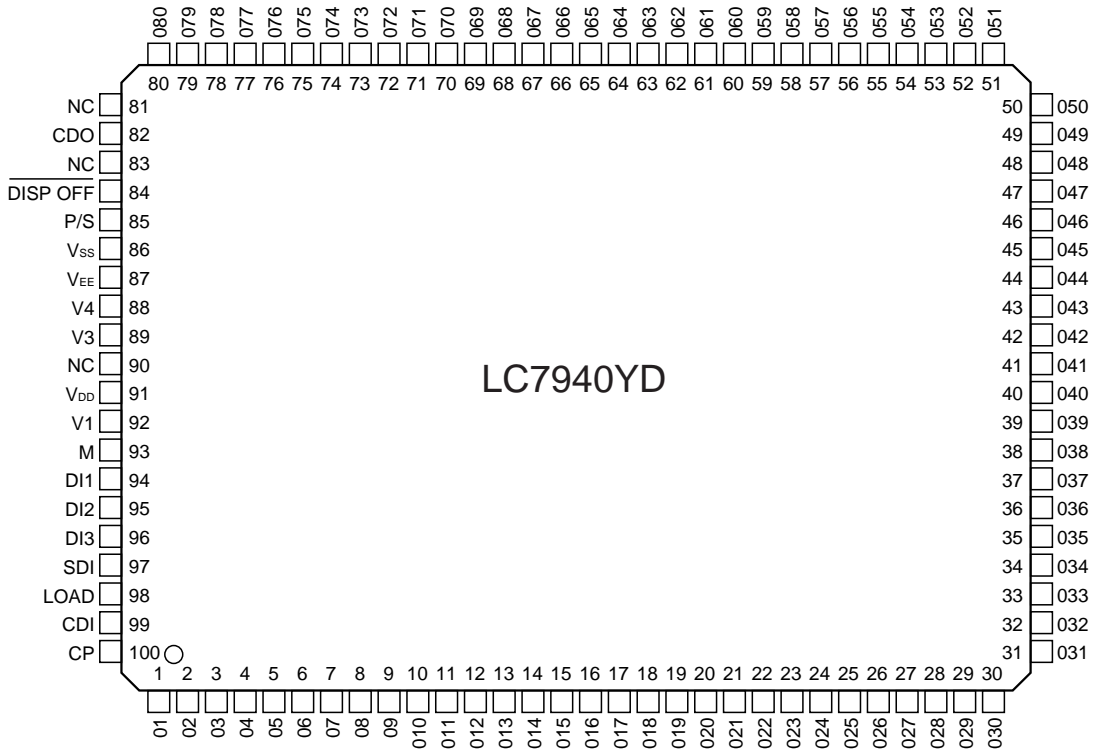
Parameter	Symbol	Conditions	Ratings			Unit
			min	typ	max	
CDO output delay time	t_D	$C_L = 30\text{ pF}$	-	-	200	ns

Switching Characteristics Waveform

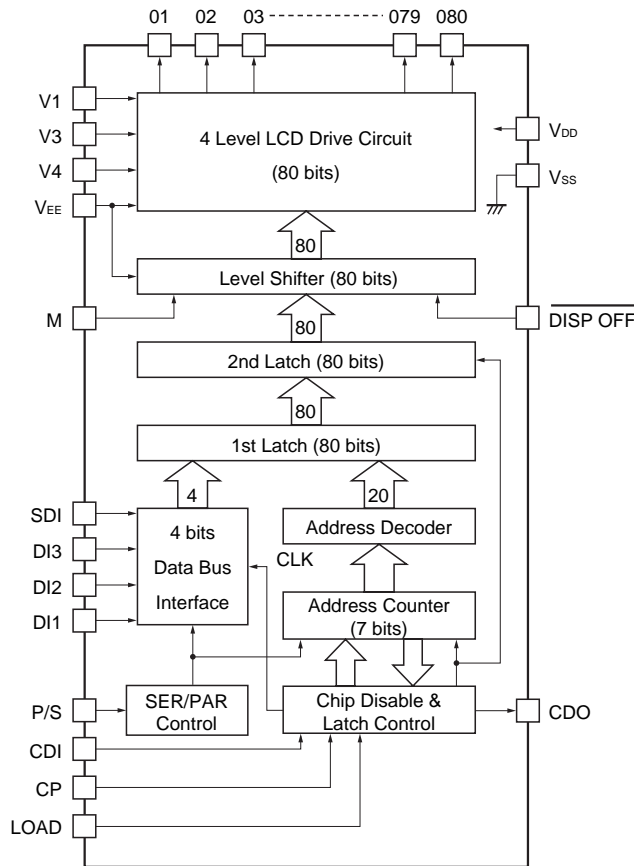


LC7940YD, LC7941YD

Pad Layout (Top view)



Block Diagram



Pin Functions

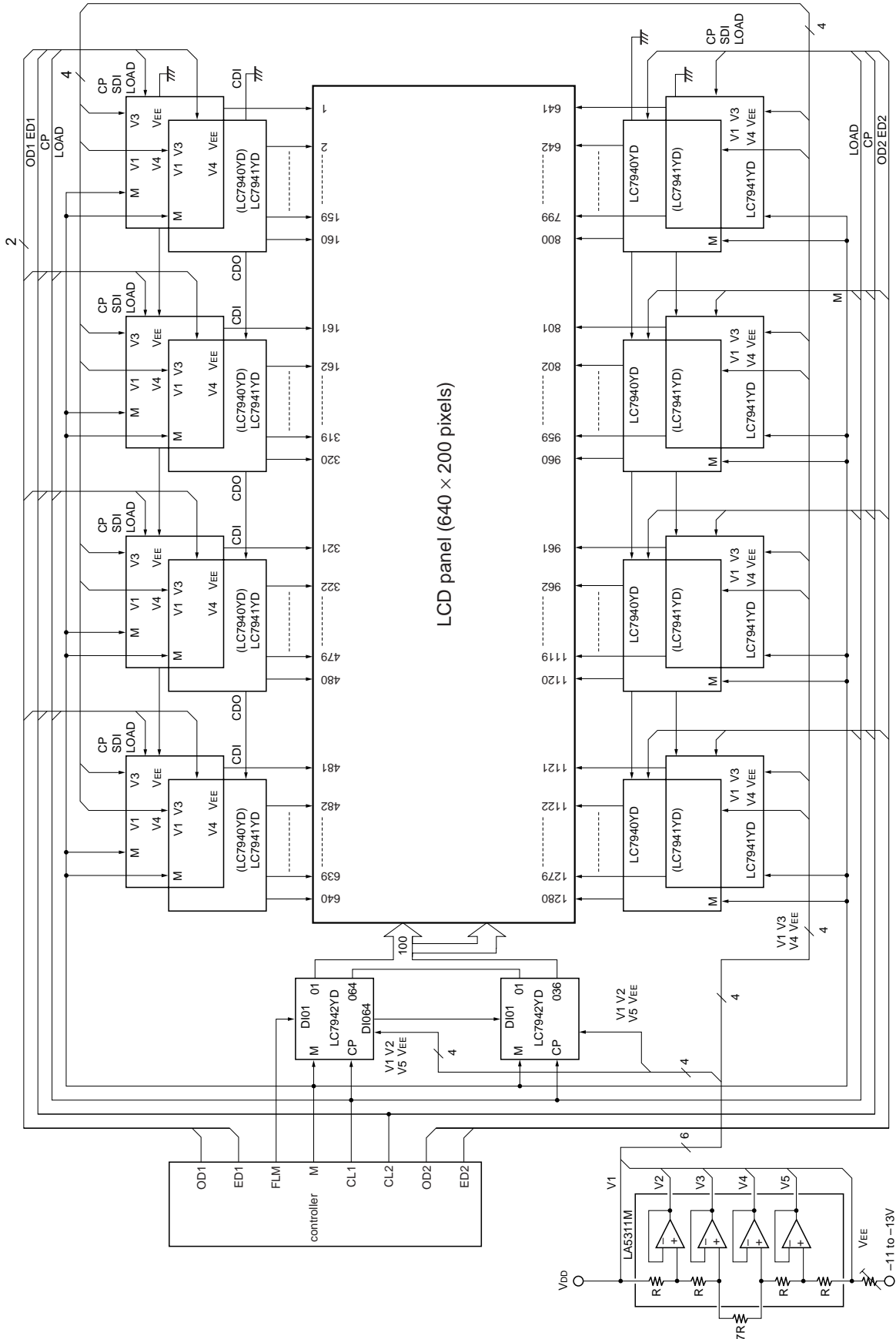
Pin No.		Symbol	I/O	Functions
LC7940YD	LC7941YD			
91	90	V_{DD}	Supply	$V_{DD} - V_{SS}$ is the logic supply. $V_{DD} - V_{EE}$ is the LCD supply.
86	95	V_{SS}		
87	94	V_{EE}		
92	89	V_1	Supply	LCD panel drive voltage supplies V_1 and V_{EE} are selected levels. V_3 and V_4 are not-selected levels.
89	92	V_3		
88	93	V_4		
100	81	CP	I	Display data Input clock (falling-edge trigger).
99	82	CDI	I	Chip disable. Data is read in when LOW, and not read in when HIGH.
98	83	LOAD	I	Display data latch clock (falling-edge trigger). On the falling edge, the LCD drive signals set by the display data are output.
97	84	SDI	I	Serial data input.

LC7940YD, LC7941YD

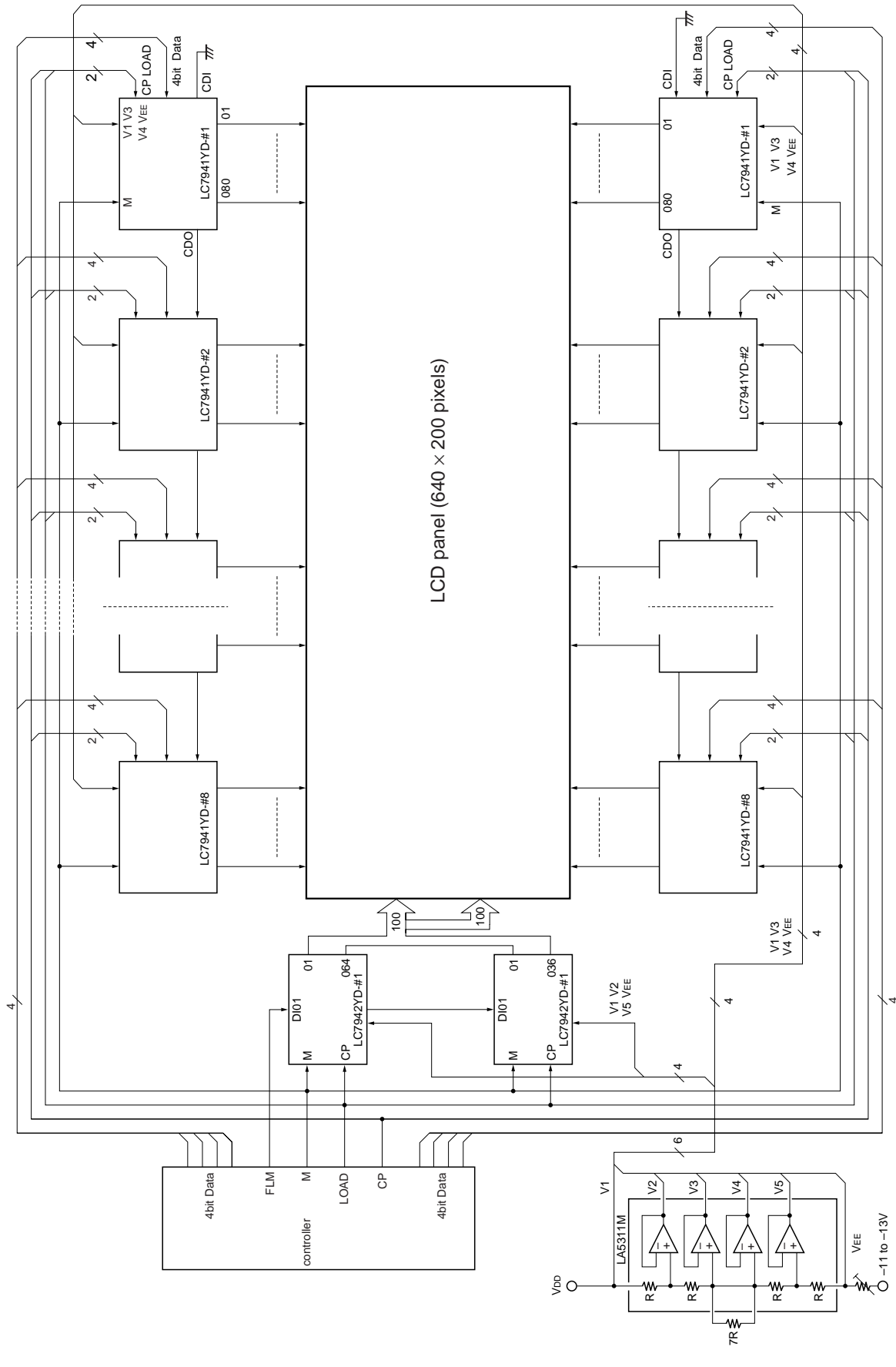
Pin No.		Symbol	I/O	Functions																																					
LC7940YD	LC7941YD																																								
96	85	DI3	I	4-bit parallel data input pins. <table border="1" style="width: 100%; border-collapse: collapse;"> <thead> <tr> <th style="width: 30%;">Data input</th> <th colspan="3">LCD driver outputs</th> </tr> </thead> <tbody> <tr> <td>SDI</td> <td>O4</td> <td>O8</td> <td rowspan="4" style="text-align: center; vertical-align: middle;">→</td> </tr> <tr> <td>DI3</td> <td>O3</td> <td>O7</td> </tr> <tr> <td>DI2</td> <td>O2</td> <td>O6</td> </tr> <tr> <td>DI1</td> <td>O1</td> <td>O5</td> </tr> <tr> <td></td> <td></td> <td></td> <td></td> <td>O80</td> </tr> <tr> <td></td> <td></td> <td></td> <td></td> <td>O79</td> </tr> <tr> <td></td> <td></td> <td></td> <td></td> <td>O78</td> </tr> <tr> <td></td> <td></td> <td></td> <td></td> <td>O77</td> </tr> </tbody> </table> In serial data input mode, DI1 to DI3 should all be tied HIGH or LOW.	Data input	LCD driver outputs			SDI	O4	O8	→	DI3	O3	O7	DI2	O2	O6	DI1	O1	O5					O80					O79					O78					O77
Data input	LCD driver outputs																																								
SDI	O4	O8			→																																				
DI3	O3	O7																																							
DI2	O2	O6																																							
DI1	O1	O5																																							
				O80																																					
				O79																																					
				O78																																					
				O77																																					
95	86	DI2																																							
94	87	D11																																							
93	88	M	I	LCD panel drive voltage output alternation control signal.																																					
85	96	P/S	I	Data input mode select. 4-bit parallel input when HIGH, and serial input when LOW																																					
82	99	CDO	O	Cascade connection pin for extension segment drivers. Data is read out when HIGH. Goes LOW after data is read out. Connected to the CDI input of the next chip.																																					
1 to 80	80 to 1	O1 to O80	O	LCD drive outputs. The output drive level is determined by the display data, M signal and DISP OFF input as shown below. <table border="1" style="width: 100%; border-collapse: collapse; text-align: center;"> <thead> <tr> <th>M</th> <th>Q</th> <th>DISP OFF</th> <th>Output</th> </tr> </thead> <tbody> <tr> <td>LOW</td> <td>LOW</td> <td>HIGH</td> <td>V₃</td> </tr> <tr> <td>LOW</td> <td>HIGH</td> <td>HIGH</td> <td>V₁</td> </tr> <tr> <td>HIGH</td> <td>LOW</td> <td>HIGH</td> <td>V₄</td> </tr> <tr> <td>HIGH</td> <td>HIGH</td> <td>HIGH</td> <td>V_{EE}</td> </tr> <tr> <td>×</td> <td>×</td> <td>LOW</td> <td>V₁</td> </tr> </tbody> </table> Note x = don't care (tied HIGH or LOW)	M	Q	DISP OFF	Output	LOW	LOW	HIGH	V ₃	LOW	HIGH	HIGH	V ₁	HIGH	LOW	HIGH	V ₄	HIGH	HIGH	HIGH	V _{EE}	×	×	LOW	V ₁													
M	Q	DISP OFF	Output																																						
LOW	LOW	HIGH	V ₃																																						
LOW	HIGH	HIGH	V ₁																																						
HIGH	LOW	HIGH	V ₄																																						
HIGH	HIGH	HIGH	V _{EE}																																						
×	×	LOW	V ₁																																						
84	97	DISPOFF	I	O1 to O80 output control input pin. When LOW, V1 is output on the O1 to O80 outputs, See the truth table.																																					
81	91	NC	-	No connection.																																					
83	98	NC																																							
90	100	NC																																							

Application Notes

LCD Panel 1



LCD Panel 2

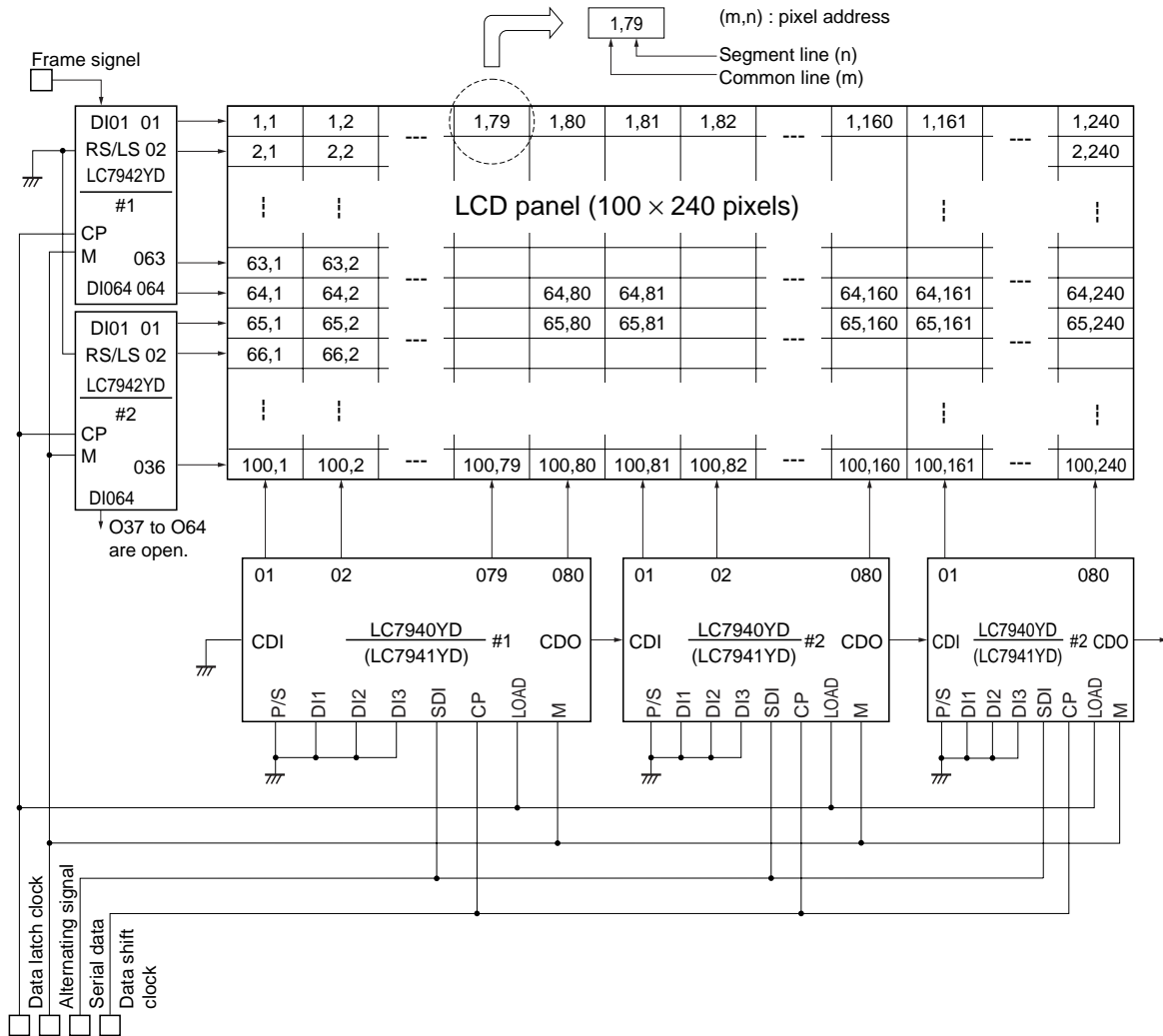


100 × 240-pixel LCD Panel Application

A 100 × 240-pixel LCD panel requires the following drivers.

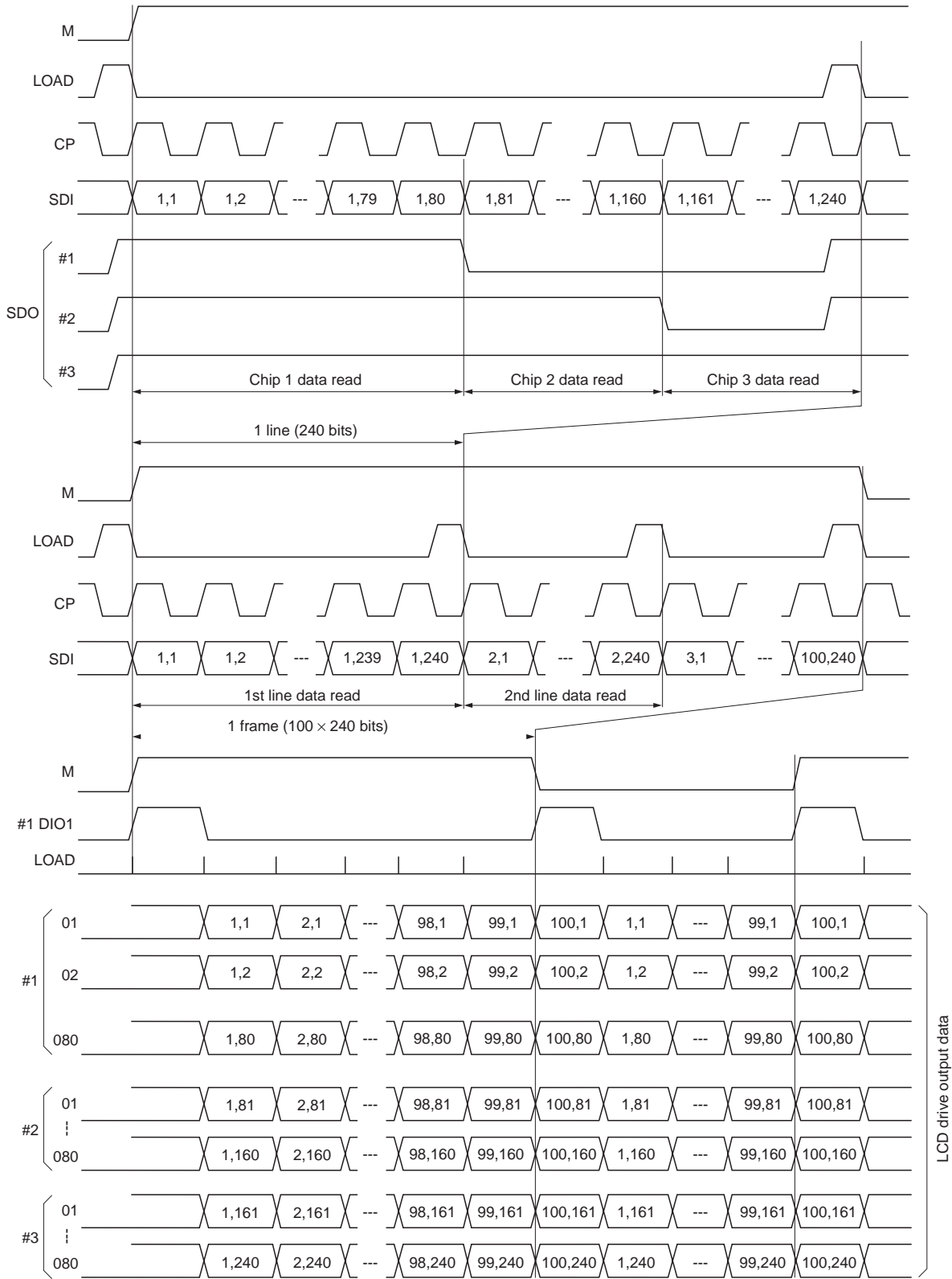
- 3 × LC7940YD (or LC7941YD) drivers
- 2 × LC7942YD drivers

An example using 1/100 duty cycle is shown below.



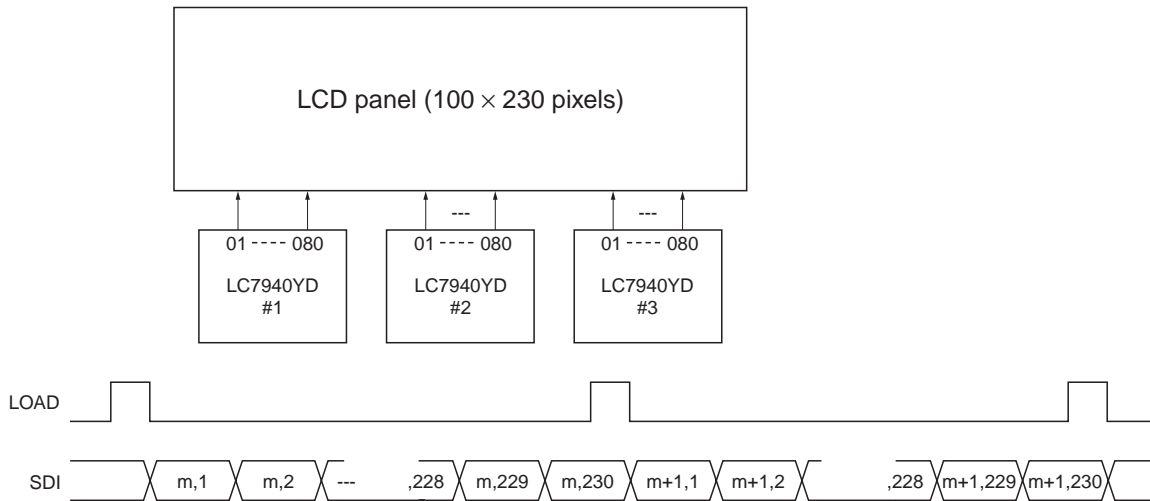
1. The LC7942YD chips are cascaded by connecting DIO64 on chip I to DIO1 on chip 2. For a 100-bit shift register, 037 to 064 on chip 2 are left open.
2. The LC7940YD (or LC7941YD) chips are cascaded by connecting CDO on chip I to CDI on chip 2, and CDO on chip 2 to CDI on chip 3. CDI on chip I is tied to GND, and CDO on chip 3 is not used. This configuration allows the input of 240-bit serial data.

100 x 240-pixel LCD Panel Timing Diagram



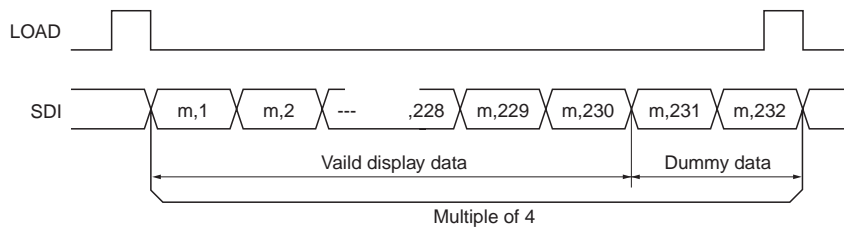
Segment Data Not Multiples of 4

Example.



If this timing data is sent, data elements (m, 229), (m, 230), (m+1, 229), (m+1, 230)... will not appear in the output (O69 and O70 on chip 3). This is because the LC7940YD (or LC7941YD) converts serial/parallel data

in 4-bit units, which also decreases power dissipation. For data that is not a multiple of 4, like 230, the following scheme is used.



In this case, (m, 231) is output on O71 on chip 3, and (m, 232) on O72 on chip 3. However, these outputs are not connected to the panel and are, therefore, invalid.

- Specifications of any and all SANYO products described or contained herein stipulate the performance, characteristics, and functions of the described products in the independent state, and are not guarantees of the performance, characteristics, and functions of the described products as mounted in the customer's products or equipment. To verify symptoms and states that cannot be evaluated in an independent device, the customer should always evaluate and test devices mounted in the customer's products or equipment.
- SANYO Electric Co., Ltd. strives to supply high-quality high-reliability products. However, any and all semiconductor products fail with some probability. It is possible that these probabilistic failures could give rise to accidents or events that could endanger human lives, that could give rise to smoke or fire, or that could cause damage to other property. When designing equipment, adopt safety measures so that these kinds of accidents or events cannot occur. Such measures include but are not limited to protective circuits and error prevention circuits for safe design, redundant design, and structural design.
- In the event that any or all SANYO products(including technical data, services) described or contained herein are controlled under any of applicable local export control laws and regulations, such products must not be exported without obtaining the export license from the authorities concerned in accordance with the above law.
- No part of this publication may be reproduced or transmitted in any form or by any means, electronic or mechanical, including photocopying and recording, or any information storage or retrieval system, or otherwise, without the prior written permission of SANYO Electric Co., Ltd.
- Any and all information described or contained herein are subject to change without notice due to product/technology improvement, etc. When designing equipment, refer to the "Delivery Specification" for the SANYO product that you intend to use.
- Information (including circuit diagrams and circuit parameters) herein is for example only ; it is not guaranteed for volume production. SANYO believes information herein is accurate and reliable, but no guarantees are made or implied regarding its use or any infringements of intellectual property rights or other rights of third parties.

This catalog provides information as of June, 1999. Specifications and information herein are subject to change without notice.