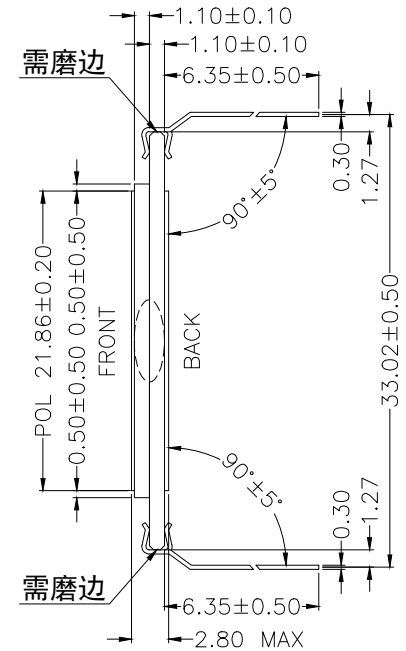
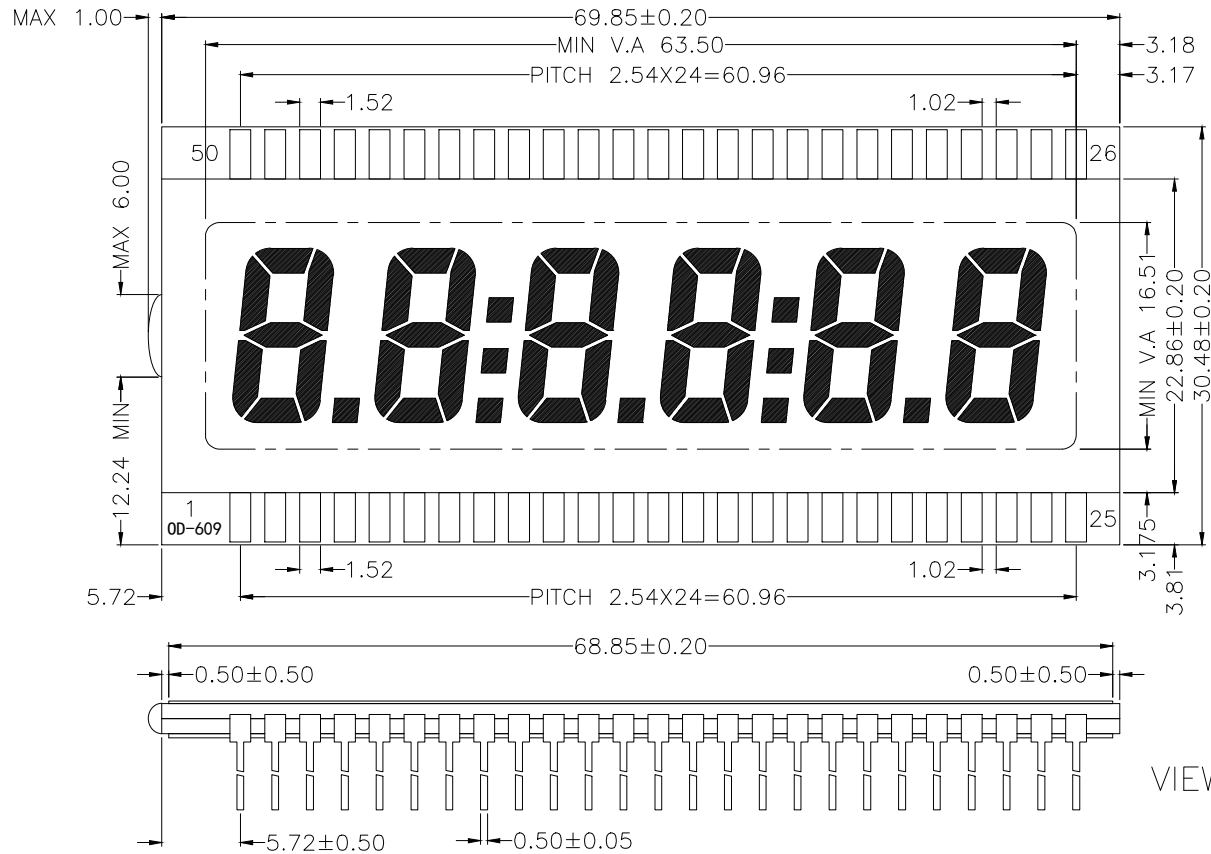


THIS DRAWING IS PROPERTY OF ORIENT DISPLAY. ALL RIGHTS RESERVED.

ITEM		PARAMETERS		ITEM		PARAMETERS		ITEM		PARAMETERS	
DISPLAY TYPE		TN, POSITIVE		VIEWING DIRECTION		6.0° CLOCK		LCD OPERATING VOLTAGE		5.0V	
DRIVING METHOD		STATIC		OPERATION TEMPERATURE		-20°C TO 70°C		LOGIC VOLTAGE(VDD)		-	
POLARIZER TYPE		TRANSFLECTIVE		STORAGE TEMPERATURE		-30°C TO 80°C		SURFACE LUMINANCE		-	
								IC		-	
								BACKLIGHT		/	
								CONNECTOR		PIN	



↑
VIEWING DIRECTION

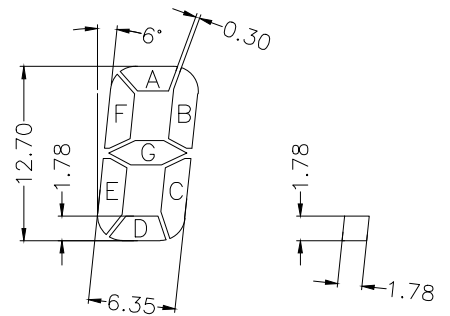
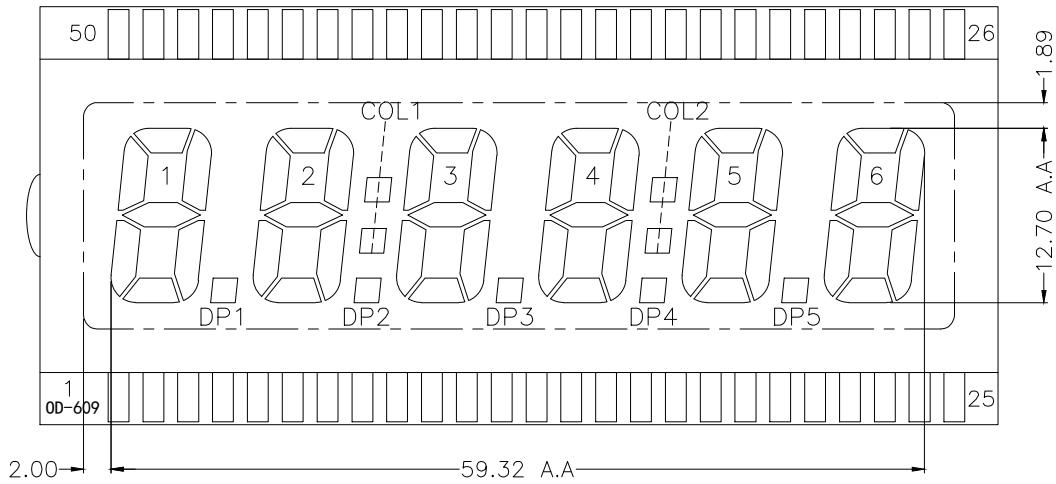


TITLE	LCD	PART NO.	OD-609
REV.	0	CUSTOMER NO.	OD-609
SCALE	FIT	UNIT	mm
ROHS/REACH COMPLIANT	YES	3rd ANGLE	⊕
UNMARKED TOLERANCE	±0.2	CUSTOMER'S APPROVAL	

REV.	SYMBOL	DESCRIPTION	DATE	SHEET	1 of 3
01					

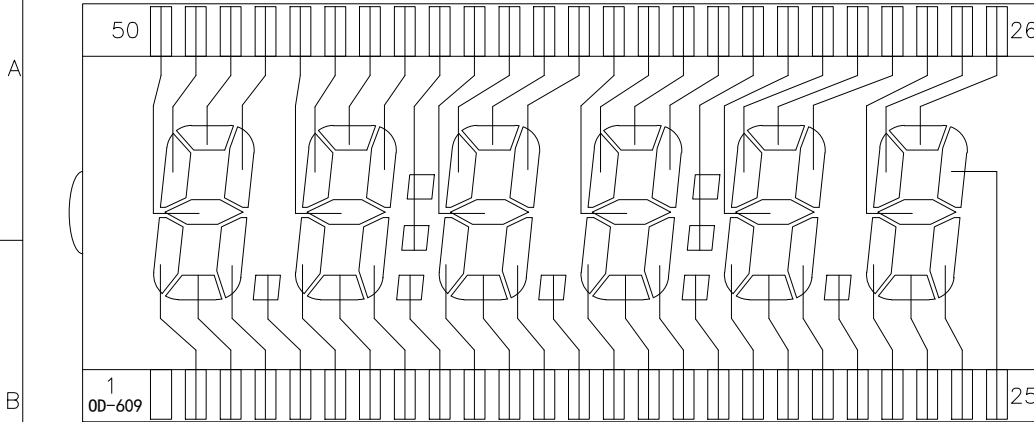
PIN	1	2	3	4	5	6	7	8	9	10	11	12	13	14	15	16	17	18	19	20	21	22	23	24	25
COM	COM	1E	1D	1C	DP1	2E	2D	2C	DP2	3E	3D	3C	DP3	4E	4D	4C	DP4	5E	5D	5C	DP5	6E	6D	6C	6B

PIN	26	27	28	29	30	31	32	33	34	35	36	37	38	39	40	41	42	43	44	45	46	47	48	49	50
COM	6A	6F	6G	5B	5A	5F	5G	COL2	4B	4A	4F	4G	3B	3A	3F	3G	COL1	2B	2A	2F	2G	1B	1A	1F	1G

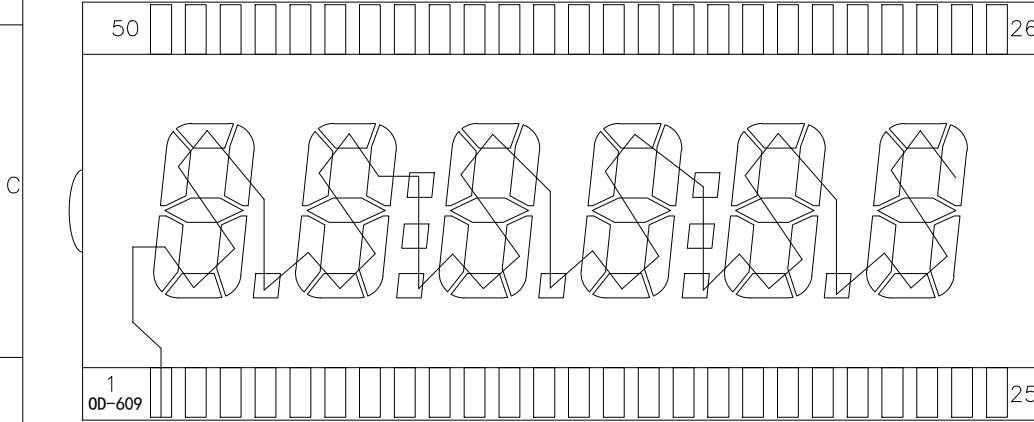


TITLE	LCD	PART NO.	OD-609	
REV.	0	CUSTOMER NO.	OD-609	
SCALE	FIT	UNIT	mm	3rd ANGLE
ROHS/REACH COMPLIANT	YES	CUSTOMER'S APPROVAL	SHEET 2 of 3	
UNMARKED TOLERANCE	±0.2			

1 2 3 4 5 6

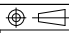


SEG



COM



TITLE	LCD	PART NO.	OD-609
REV.	0	CUSTOMER NO.	OD-609
SCALE	FIT	UNIT	mm
ROHS/REACH COMPLIANT	YES	3rd ANGLE	 SHEET 3of 3
UNMARKED TOLERANCE	±0.2	CUSTOMER'S APPROVAL	

1 2 3 4 5 6