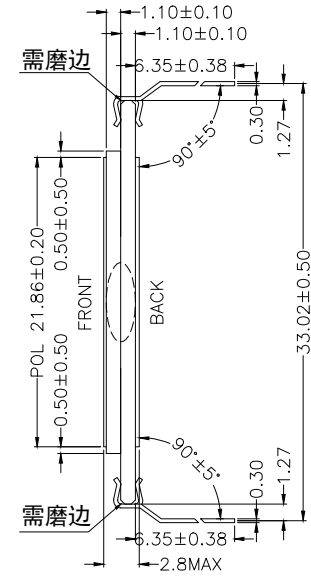
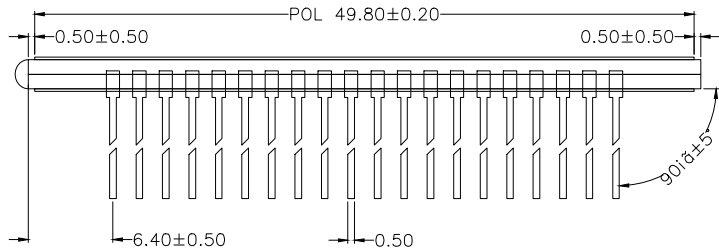
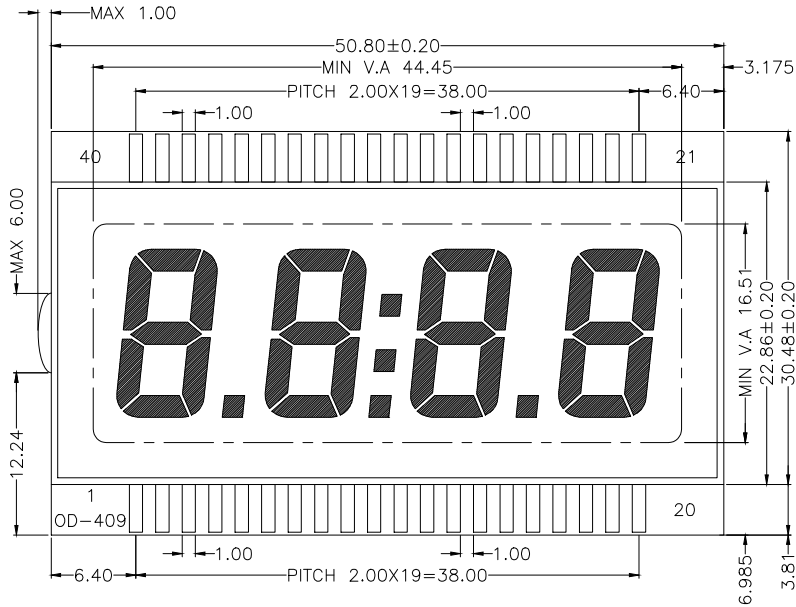


THIS DRAWING IS PROPERTY OF ORIENT DISPLAY. ALL RIGHTS RESERVED.

ITEM	PARAMETERS	ITEM	PARAMETERS	ITEM	PARAMETERS	ITEM	PARAMETERS
DISPLAY TYPE	TN, POSITIVE	VIEWING DIRECTION	6.0 °CLOCK	LCD OPERATING VOLTAGE	5.0V	IC	--
DRIVING METHOD	STATIC	OPERATION TEMPERATURE	-20°C TO 70°C	LOGIC VOLTAGE(VDD)	--	BACKLIGHT	/
POLARIZER TYPE	TRANSFLECTIVE	STORAGE TEMPERATURE	-30°C TO 80°C	SURFACE LUMINANCE	--	CONNECTOR	PIN



↑  
VIEWING DIRECTION



TITLE	LCD	PART NO.	OD-409
REV.	0	CUSTOMER NO.	OD-409
SCALE	FIT	UNIT	mm
ROHS/REACH COMPLIANT	YES	CUSTOMER'S APPROVAL	
UNMARKED TOLERANCE	±0.2		

REV.	SYMBOL	DESCRIPTION
01		

DATE

1

2

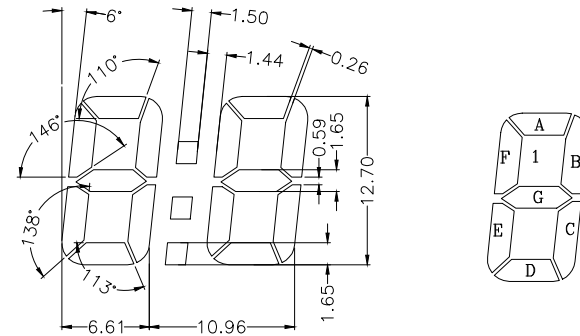
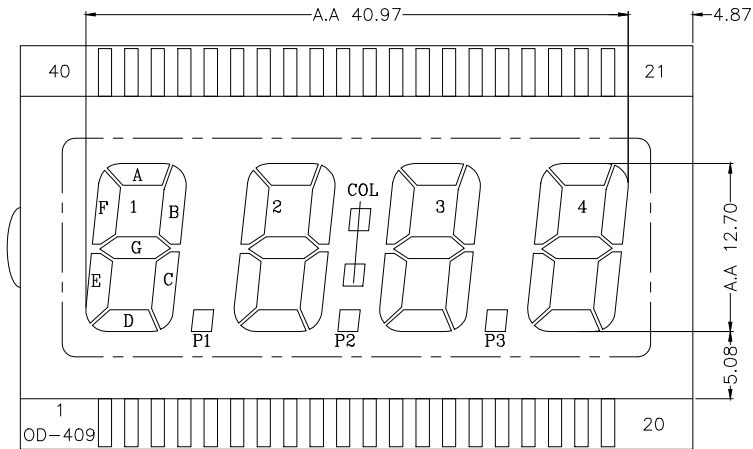
3

4

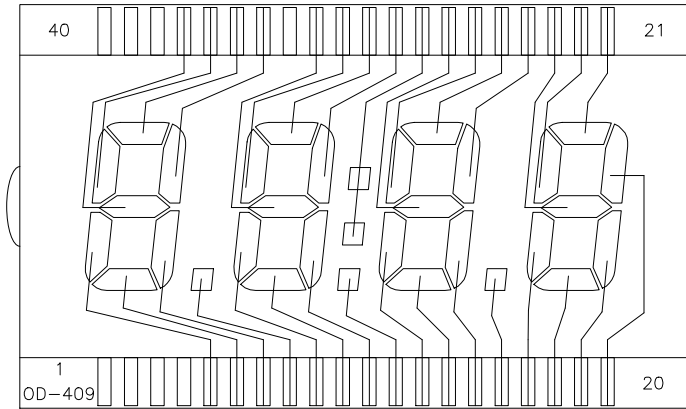
5

6

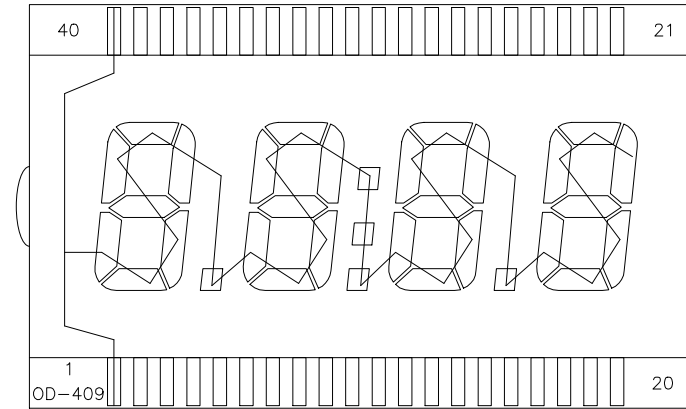
PIN	1	2	3	4	5	6	7	8	9	10	11	12	13	14	15	16	17	18	19	20
COM1	COM1	/	/	/	1E	1D	1C	P1	2E	2D	2C	P2	3E	3D	3C	P3	4E	4D	4C	4B
PIN	21	22	23	24	25	26	27	28	29	30	31	32	33	34	35	36	37	38	39	40
COM1	4A	4F	4G	3B	3A	3F	3G	COL	2B	2A	2F	2G	/	1B	1A	1F	1G	/	/	COM1



TITLE	LCD	PART NO.	OD-409
REV.	0	CUSTOMER NO.	OD-409
SCALE	FIT	UNIT	mm
ROHS/REACH COMPLIANT	YES	3rd ANGLE	3rd ANGLE  SHEET 2 of 3
UNMARKED TOLERANCE	±0.2	CUSTOMER'S APPROVAL	

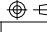


SEG



COM



<b>TITLE</b>	<b>LCD</b>	<b>PART NO.</b>	<b>OD-409</b>
<b>REV.</b>	<b>0</b>	<b>CUSTOMER NO.</b>	<b>OD-409</b>
<b>SCALE</b>	<b>FIT</b>	<b>UNIT</b>	<b>mm</b>
<b>ROHS/REACH COMPLIANT</b>	<b>YES</b>	<b>3rd ANGLE</b>	<b>3rd ANGLE</b> 
<b>UNMARKED TOLERANCE</b>	<b>±0.2</b>	<b>CUSTOMER'S APPROVAL</b>	<b>SHEET 3 of 3</b>