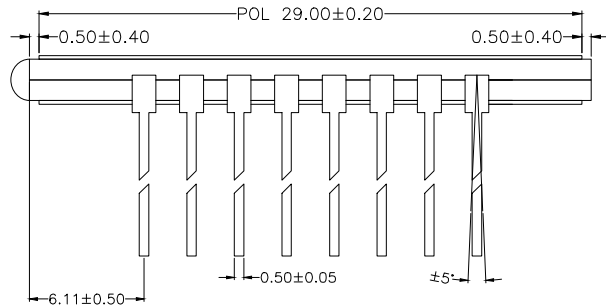
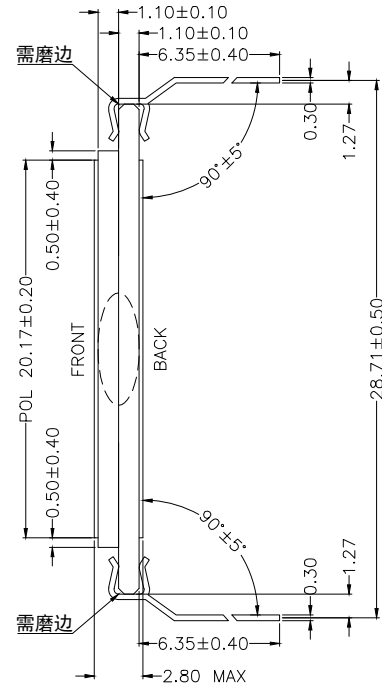
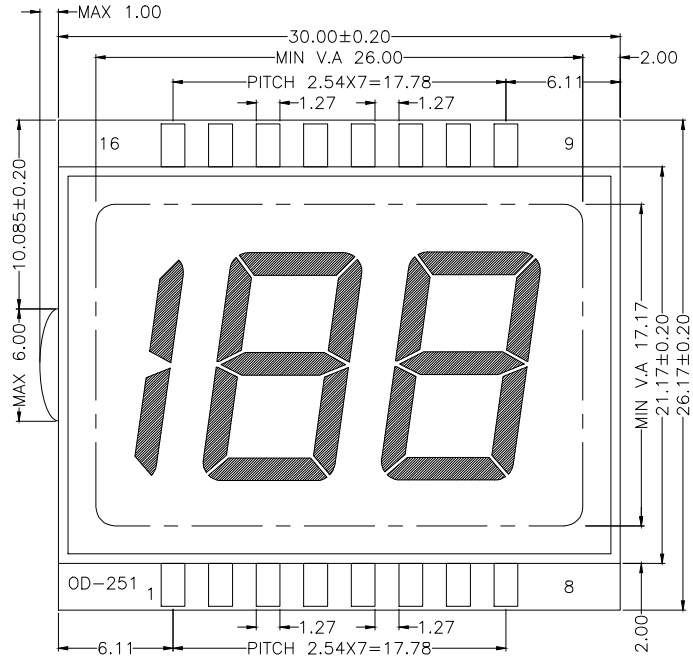


THIS DRAWING IS PROPERTY OF ORIENT DISPLAY. ALL RIGHTS RESERVED.

ITEM	PARAMETERS	ITEM	PARAMETERS	ITEM	PARAMETERS	ITEM	PARAMETERS
DISPLAY TYPE	TN, POSITIVE	VIEWING DIRECTION	6.0° CLOCK	LCD OPERATING VOLTAGE	5.0V	IC	--
DRIVING METHOD	STATIC	OPERATION TEMPERATURE	-20°C TO 70°C	LOGIC VOLTAGE(VDD)	--	BACKLIGHT	/
POLARIZER TYPE	TRANSFLECTIVE	STORAGE TEMPERATURE	-30°C TO 80°C	SURFACE LUMINANCE	--	CONNECTOR	PIN



VIEWING DIRECTION



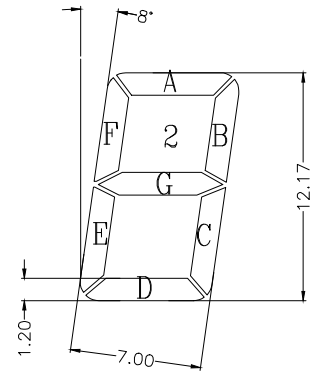
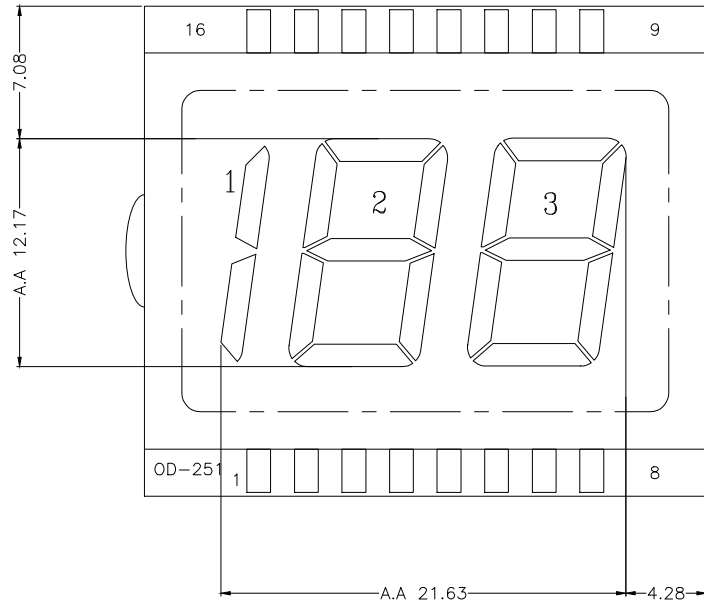
TITLE	LCD	PART NO.	OD-251
REV.	1	CUSTOMER NO.	OD-251
SCALE	FIT	UNIT	mm
ROHS/REACH COMPLIANT	YES	CUSTOMER'S APPROVAL	
UNMARKED TOLERANCE	±0.2		

01	改封口尺寸	
REV.	SYMBOL	DESCRIPTION

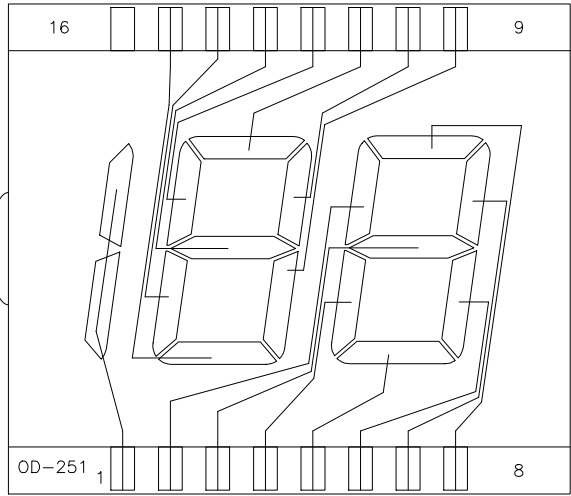
Feb-15
DATE

PIN	1	2	3	4	5	6	7	8
COM	1BC	3F	3G	3E	3D	3C	3B	3A

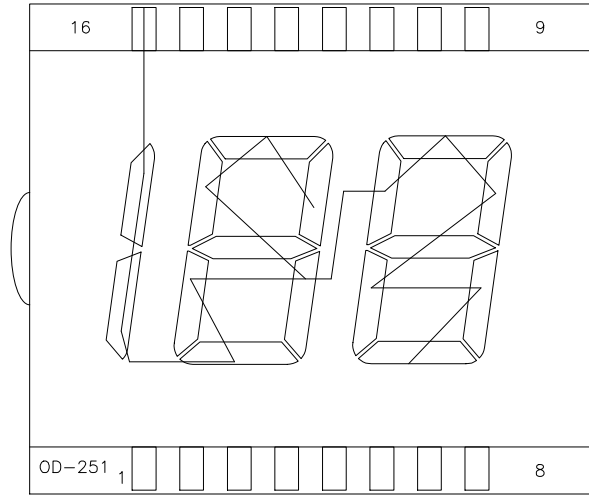
PIN	9	10	11	12	13	14	15	16
COM	2C	2B	2A	2F	2G	2E	2D	COM



TITLE	LCD	PART NO.	OD-251	
REV.	1	CUSTOMER NO.	OD-251	
SCALE	FIT	UNIT	mm	3rd ANGLE
ROHS/REACH COMPLIANT	YES	CUSTOMER'S APPROVAL	SHEET 2 of 3	
UNMARKED TOLERANCE	±0.2			

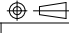


SEG



COM



TITLE	LCD	PART NO.	OD-251
REV.	1	CUSTOMER NO.	OD-251
SCALE	FIT	UNIT	mm
ROHS/REACH COMPLIANT	YES	3rd ANGLE	
UNMARKED TOLERANCE	±0.2	CUSTOMER'S APPROVAL	SHEET 3of 3