



ORIENT DISPLAY

Your Total LCD Solution Provider

Specification for TFT

AFR320240A0-2.35INTH

Revision V1.0



A	Orient Display
FR	TFT Type
320480	Resolution 320x480
A0	Serial A0
2.35	2.35", Module Dimension 39.52x60.68x2.3 mm
I	IPS Display
N	Top: -20~+70°C; Tstr: -30~+80°C
T	Transmissive/Normally Black
H	High Brightness, 750cd/m2
/	3-SPI+16/18/24-bits RGB Interface
/	No Touch Panel
/	Controller ST7701S



Contents

1. DESCRIPTION	4
2. BLOCK DIAGRAM.....	5
3. OUTLINE DIMENSION	6
4. INPUT TERMINAL PIN ASSIGNMENT.....	7
5. LCD OPTICAL CHARACTERISTICS.....	9
5.1 OPTICAL SPECIFICATION.....	9
6. ELECTRICAL CHARACTERISTICS	11
6.1 ABSOLUTE MAXIMUM RATING	11
6.2 DC ELECTRICAL CHARACTERISTICS.....	12
6.3 LED BACKLIGHT CHARACTERISTICS.....	12
7. AC CHARACTERISTICS.....	15
7.1 SERIAL INTERFACE CHARACTERISTICS (3-LINE SERIAL):.....	15
7.2. RGB INTERFACE CHARACTERISTICS :	16
7.3 RESET INPUT TIMING:	17
8. RGB INTERFACE	18
8.1.1 RGB Color Format.....	19
8.1.2 RGB Interface Definition	19
8.1.3 RGB Interface Mode Selection	20
8.1.4 RGB Interface Timing.....	21
9. LCD MODULE OUT-GOING QUALITY LEVEL	22
9.1 VISUAL & FUNCTION INSPECTION STANDARD	22
9.1.1 Inspection conditions.....	22
9.1.3 Sampling Plan	23
9.1.4 Criteria (Visual).....	24
10. RELIABILITY TEST RESULT	28
11. CAUTIONS AND HANDLING PRECAUTIONS.....	29
11.1 HANDLING AND OPERATING THE MODULE.....	29
11.2 STORAGE AND TRANSPORTATION.....	29
12. PACKING	31

1. Description

This is a color active matrix TFT (Thin Film Transistor) LCD (liquid crystal display) that uses amorphous silicon TFT as a switching device. This module is composed of a Transmissive type TFT-LCD Panel, driver circuit, back-light unit. The resolution of a 2.35 " TFT-LCD contains 320x480 pixels, and can display up to 65K/262K/16.7M colors.

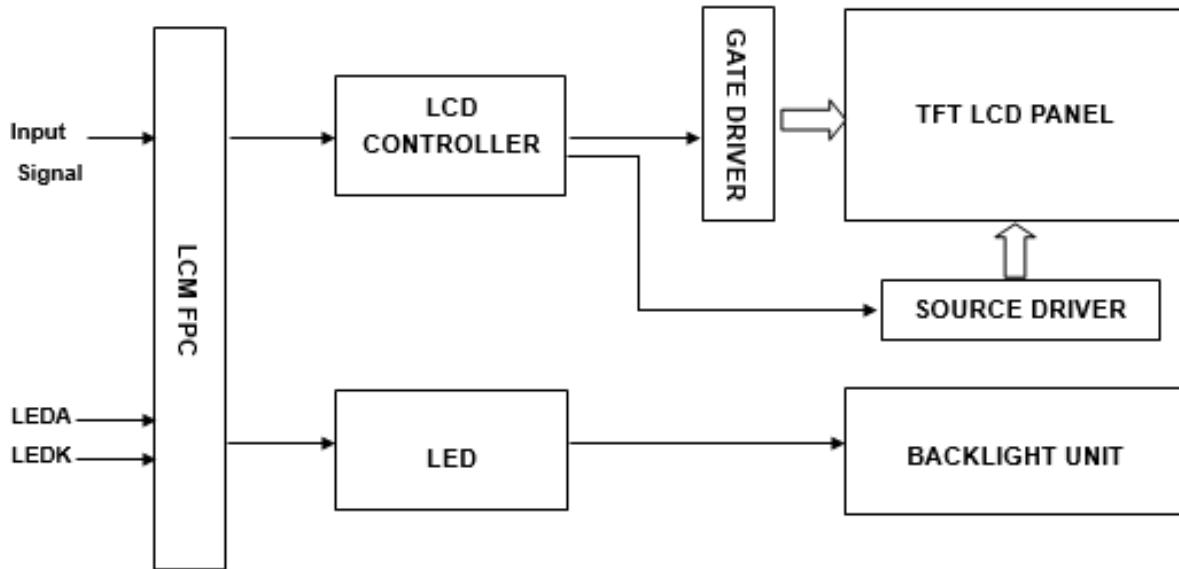
1.1 Features

General Information Items	Specification	Unit	Note
	Main Panel		
Display area(AA)	33.12(H)*49.68(V) (2.35 inch)	mm	
Driver element	TFT active matrix	-	
Display colors	65K/262K/16.7M	colors	
Number of pixels	320(RGB)*480	dots	
Pixel arrangement	RGB tilt stripe	-	
Pixel pitch	0.0345(H)*0.1035(V)	mm	
Viewing angle	ALL	o'clock	
Controller IC	ST7701S	-	
LCM Interface	3-SPI+16/18/24-bits RGB	-	
Display mode	Transmissive /Normally Black	-	
Operating temperature	-20~+70	°C	
Storage temperature	-30~+80	°C	

1.2 Mechanical Information

Item		Min.	Typ.	Max.	Unit	Note
Module size	Horizontal(H)	-	39.52	-	mm	
	Vertical(V)	-	60.68	-	mm	
	Depth(D)	-	2.26	-	mm	
Weight		-	10	-	g	

2. Block Diagram



4. Input terminal Pin Assignment

NO.	SYMBOL	DISCRIPTION	I/O
1	XR(NC)	Touch panel Right Glass Terminal. Leave the pin open when not in use.	A/D
2	YD(NC)	Touch panel Bottom Film Terminal. Leave the pin open when not in use.	A/D
3	XL (NC)	Touch panel LIFT Glass Terminal. Leave the pin open when not in use.	A/D
4	YU(NC)	Touch panel Top Film Terminal. Leave the pin open when not in use.	A/D
5	GND	Ground.	P
6	GND	Ground.	P
7	VCI	Supply voltage (3.3V).	P
8	IOVCC	Supply Voltage (Logic)(1.65~3.3V).	P
9	SDO	Serial data output pin used for the SPI Interface. Leave the pin open when not in use.	O
10	SDI	SDI: Serial data input/output bidirectional pin for SPI Interface.	I/O
11	SCL	SCL: Serial clock input for SPI interface.	I
12	CS	- A chip select signal Low: the chip is selected and accessible High: the chip is not selected and not accessible	I
13	RESET	- The external reset input - Initializes the chip with a low input. Be sure to execute a power-on reset after supplying power.	I
14-37	DB23-D B0	24-bit parallel data bus for RGB Interface. Fix to IOVCC or GND level when not in use.	I/O
38	DE	Data enable signal for RGB interface operation Low: access enabled High: access inhibited	I

		Fix to IOVCC or GND level when not in use.	
39	PCLK	Dot clock signal for RGB interface operation	I
40	HSYNC	Line synchronizing signal for RGB interface operation	I
41	VSYNC	Frame synchronizing signal for RGB interface operation	I
42	NC		
43	LEDK	Cathode pin of backlight.	P
44	NC		
45	LEDA	Anode pin of backlight.	P

5. LCD Optical Characteristics

5.1 Optical specification

Item	Symbol	Condition	Min.	Typ.	Max.	Unit.	Note	
Contrast Ratio	CR	$\Theta=0$ Normal viewing angle	600	800	--		(1)(2)	
Response time	Rising		T_{R+T_F}	--	30	45	ms	(1)(3)
	Falling							
Color Gamut	S(%)			53	58	--	%	*
Color Filter Chromaticity	White		W_X	0.2559	0.2959	0.3359		(1)(4) CA-310
			W_Y	0.2801	0.3201	0.3601		
	Red		R_X	0.5849	0.6248	0.6648		
			R_Y	0.3184	0.3584	0.3984		
	Green		G_X	0.3072	0.3472	0.3872		
			G_Y	0.5248	0.5648	0.6048		
	Blue	B_X	0.1078	0.1478	0.1878			
		B_Y	0.0446	0.0846	0.1246			
Viewing angle	Hor.	Θ_L	--	80	--		(1)(4)	
		Θ_R	--	80	--			
	Ver.	Θ_U	--	80	--			
		Θ_D	--	80	--			
Option View Direction	ALL							

*The data comes from the LCD specification.

Measuring Condition

Measuring surrounding : dark room

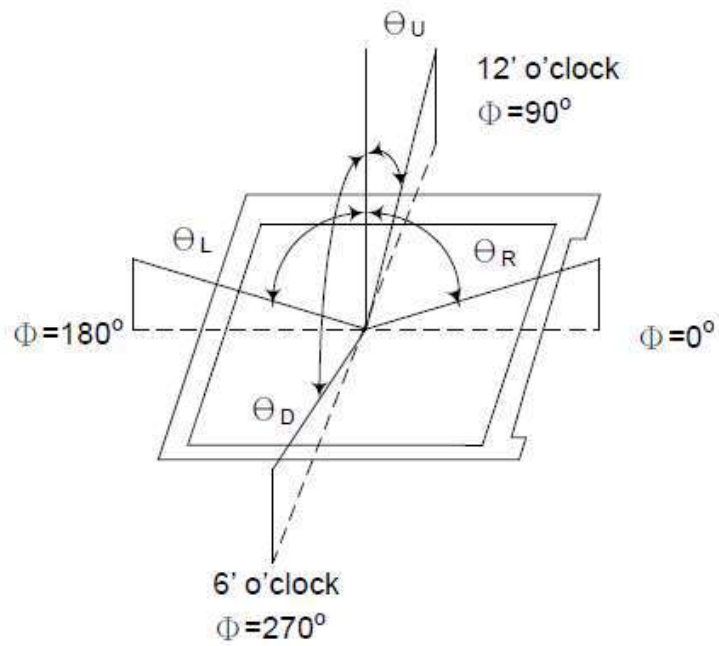
Ambient temperature : $25 \pm 2^\circ\text{C}$

15min. warm-up time.

Measuring Equipment

FPM520 of Westar Display technologies, INC., which utilized SR-3 for Chromaticity and BM-5A for other optical characteristics.

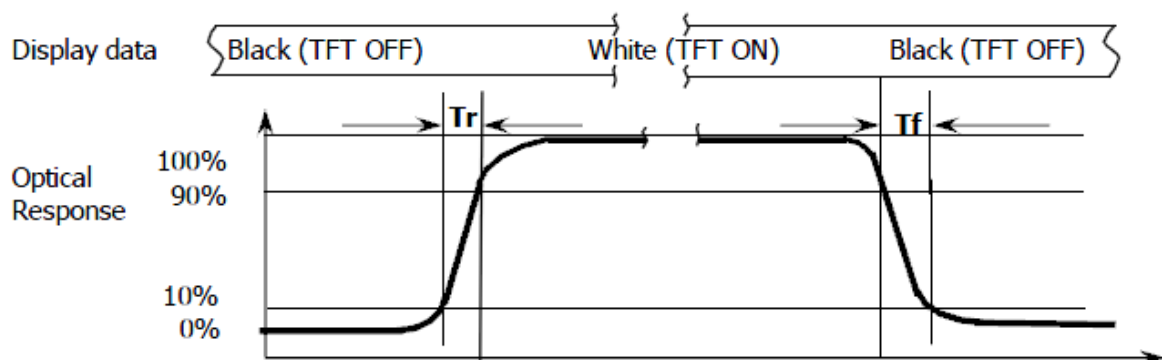
Note (1): Definition of Viewing Angle :



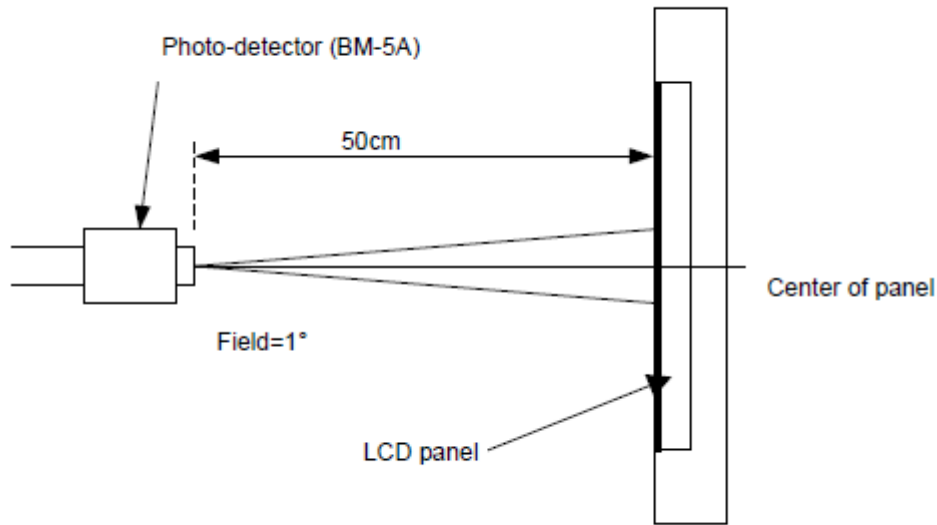
Note (2): Definition of Contrast Ratio(CR) :measured at the center point of panel

$$CR = \frac{\text{Luminance with all pixels white}}{\text{Luminance with all pixels black}}$$

Note (3): Response Time



Note (4): Definition of optical measurement setup



6. Electrical Characteristics

6.1 Absolute Maximum Rating

Characteristics	Symbol	Min.	Max.	Unit	Note
Digital Supply Voltage	V _{CI}	-0.3	4.6	V	Note1
Digital Interface Supply	IOVCC	-0.3	4.6	V	
Operating temperature	T _{OP}	-20	+70	°C	
Storage temperature	T _{ST}	-30	+80	°C	

NOTE1: If the absolute maximum rating of even is one of the above parameters is exceeded even momentarily,

the quality of the product may be degraded. Absolute maximum ratings, therefore, specify the values

exceeding which the product may be physically damaged. Be sure to use the product within the range

of the absolute maximum ratings.

6.2 DC Electrical Characteristics

Characteristics	Symbol	Min.	Typ.	Max.	Unit	Note
Digital Supply Voltage	V _{CI}	2.5	3.3	3.6	V	
Digital interface supply	IOVCC	1.65	1.8	3.3	V	
Normal mode Current	IDD	--	30	60	mA	
Level input voltage	V _{IH}	0.7*	--	IOVCC	V	
	V _{IL}	GND	--	0.3* IOVCC	V	
Level output voltage	V _{OH}	0.8*IOVCC	--	IOVCC	V	
	V _{OL}	GND	--	0.2*IOVCC	V	

6.3 LED Backlight Characteristics

The back-light system is edge-lighting type with 6 chips LED

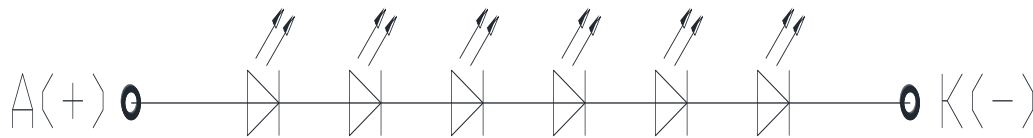
Item	Symbol	Min.	Typ.	Max.	Unit	Note
Forward Current	I _F	15	20	--	mA	
Forward Voltage	V _F	--	19.2	--	V	
LCM Luminance	LV	700	750	--	cd/m ²	Note3
LED life time	Hr	50000	--	--	Hour	Note1,2
Uniformity	Avg	80	--	--	%	Note3

Note1: LED life time (Hr) can be defined as the time in which it continues to operate under the condition:

T_a=25±3 °C, typical IL value indicated in the above table until the brightness

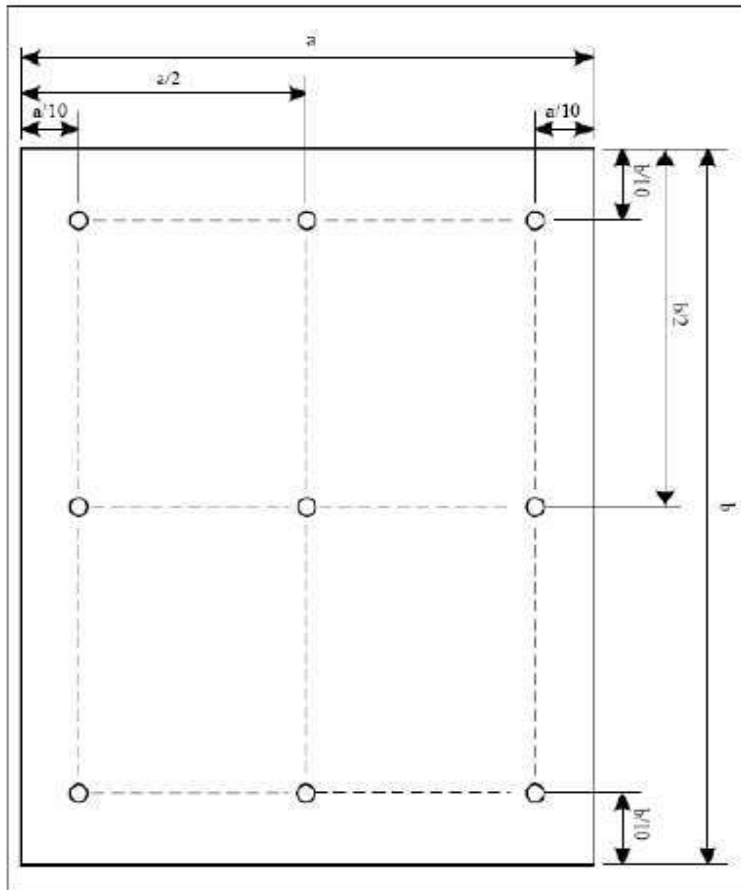
becomes less than 50%.

Note 2: The “LED life time” is defined as the module brightness decrease to 50% original brightness at $T_a=25^{\circ}\text{C}$ and $I_L=20\text{mA}$. The LED lifetime could be decreased if operating I_L is larger than 20mA. The constant current driving method is suggested.



BLU CIRCUIT DIAGRAM

Note (3) Luminance Uniformity of these 9 points is defined as below:

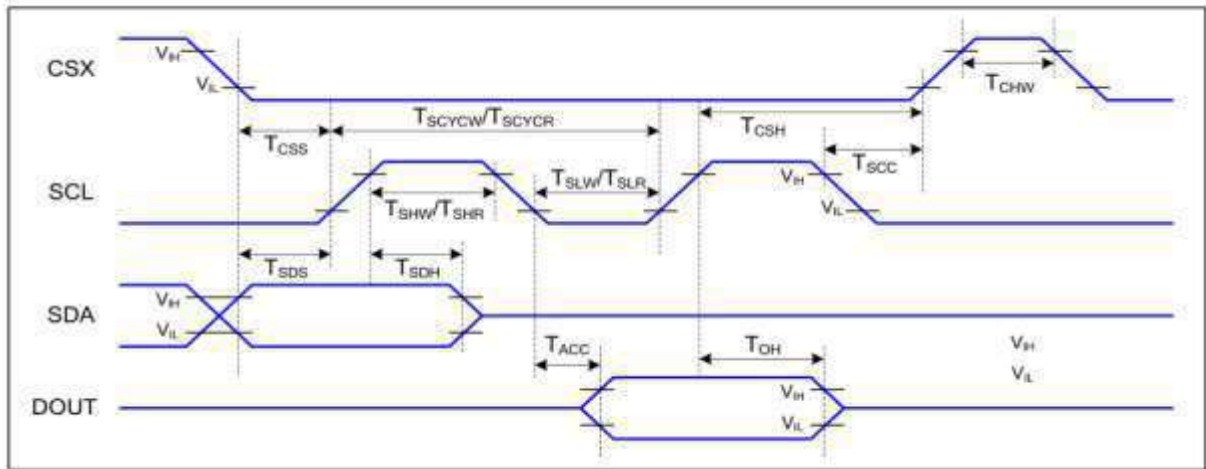


$$\text{Uniformity} = \frac{\text{minimum luminance in 9 points (1-9)}}{\text{maximum luminance in 9 points (1-9)}}$$

$$\text{Luminance} = \frac{\text{Total Luminance of 9 points}}{9}$$

7. AC Characteristics

7.1 Serial Interface Characteristics (3-line serial):



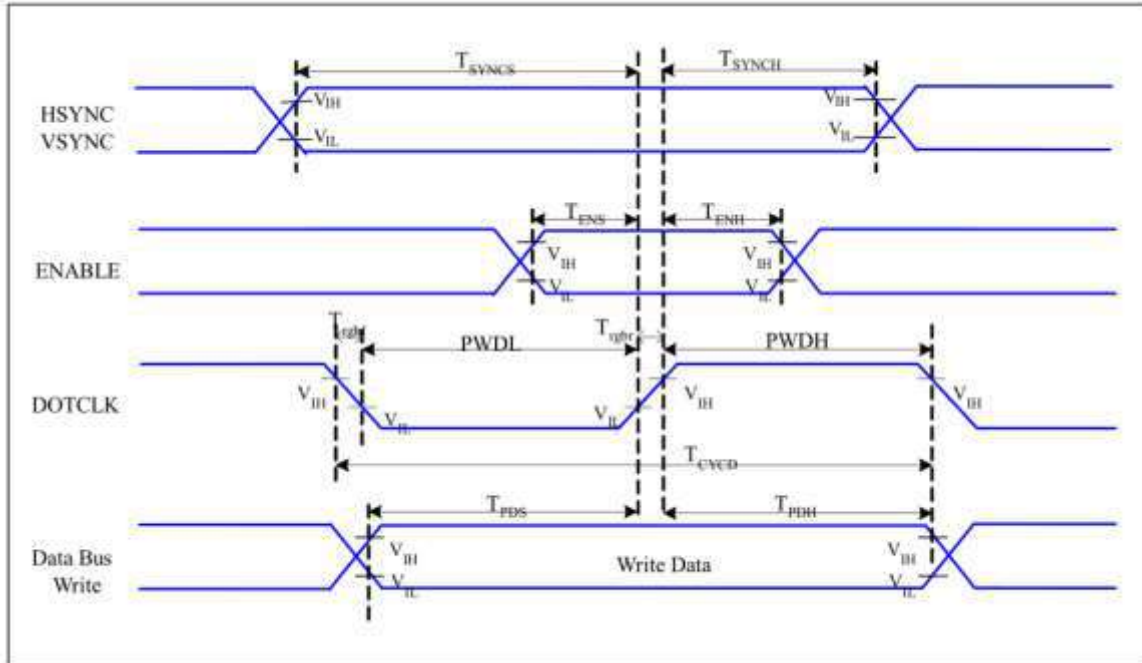
3-line serial Interface Timing Characteristics

$IOVCC=1.8V, VCI=2.8V, Ta=25^{\circ}C$

Signal	Symbol	Parameter	Min	Max	Unit	Description
CSX	T_{CSS}	Chip select setup time (write)	15		ns	
	T_{CSH}	Chip select hold time (write)	15		ns	
	T_{CSS}	Chip select setup time (read)	60		ns	
	T_{SCC}	Chip select hold time (read)	60		ns	
	T_{CHW}	Chip select "H" pulse width	40		ns	
SCL	T_{SCYCW}	Serial clock cycle (Write)	66		ns	
	T_{SHW}	SCL "H" pulse width (Write)	15		ns	
	T_{SLW}	SCL "L" pulse width (Write)	15		ns	
	T_{SCYCR}	Serial clock cycle (Read)	150		ns	
	T_{SHR}	SCL "H" pulse width (Read)	60		ns	
	T_{SLR}	SCL "L" pulse width (Read)	60		ns	
SDA (DIN)	T_{SDS}	Data setup time	10		ns	
	T_{SDH}	Data hold time	10		ns	

Note : The rising time and falling time (T_r , T_f) of input signal are specified at 15 ns or less. Logic high and low levels are specified as 30% and 70% of IOVCC for Input signals.

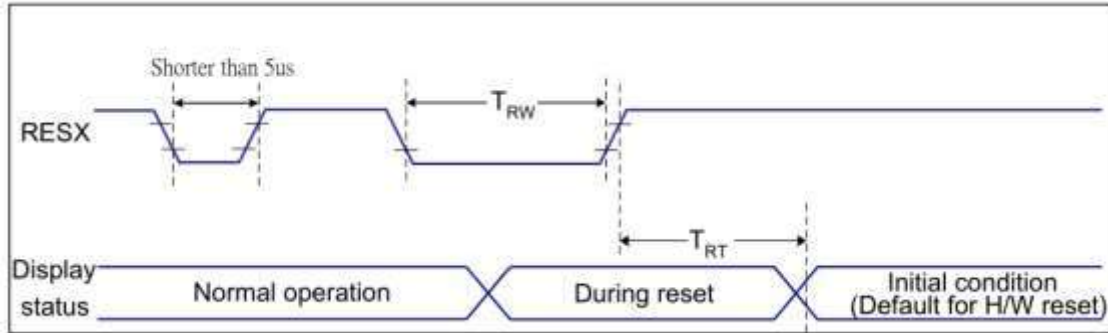
7.2. RGB Interface Characteristics :



RGB Interface Timing Characteristics

Signal	Symbol	Parameter	MIN	MAX	Unit	Description
HSYNC, VSYNC	T_{SYNCS}	VSYNC, HSYNC Setup Time	5	-	ns	
ENABLE	T_{ENS}	Enable Setup Time	5	-	ns	
	T_{ENH}	Enable Hold Time	5	-	ns	
DOTCLK	PWDH	DOTCLK High-level Pulse Width	15	-	ns	
	PWDL	DOTCLK Low-level Pulse Width	15	-	ns	
	T_{CYCD}	DOTCLK Cycle Time	33	-	ns	
	Trghr, Trghf	DOTCLK Rise/Fall time	-	15	ns	
DB	T_{PDS}	PD Data Setup Time	5	-	ns	
	T_{PDH}	PD Data Hold Time	5	-	ns	

7.3 Reset input timing:



Reset Timing

Related Pins	Symbol	Parameter	MIN	MAX	Unit
RESX	TRW	Reset pulse duration	10	-	us
	TRT	Reset cancel	-	5 (Note 1, 5)	ms
			120 (Note 1, 6, 7)	ms	

Reset Timing

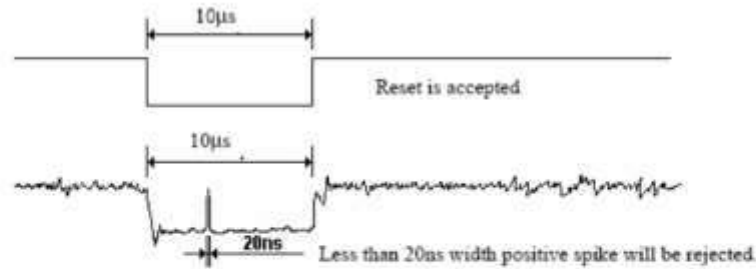
Notes:

- The reset cancel includes also required time for loading ID bytes, VCOM setting and other settings from NVM (or similar device) to registers. This loading is done every time when there is HW reset cancel time (TRT) within 5 ms after a rising edge of RESX.
- Spike due to an electrostatic discharge on RESX line does not cause irregular system reset according to the table below:

RESX Pulse	Action
Shorter than 5us	Reset Rejected
Longer than 9us	Reset
Between 5us and 9us	Reset starts

- During the Resetting period, the display will be blanked (The display is entering blanking sequence, which maximum time is 120 ms, when Reset Starts in Sleep Out –mode. The display remains the blank state in Sleep In –mode.) and then return to Default condition for Hardware Reset.

- Spike Rejection also applies during a valid reset pulse as shown below:



5. When Reset applied during Sleep In Mode.

6. When Reset applied during Sleep Out Mode.

7. It is necessary to wait 5msec after releasing RESX before sending commands. Also Sleep Out command cannot be sent for 120msec.

8. RGB Interface

The ST7701 support RGB interface Mode 1 and Mode 2. The interface signals as shown in ST7701S datasheet table 6.3.1. The Mode 1 and Mode 2 function is select by setting in the Command 2, please reference application note. In RGB Mode 1, writing data to line buffer is done by PCLK and Video Data Bus (D[23:0]), when DE is high state. The external clocks (PCLK, VS and HS) are used for internal displaying clock. So, controller must always transfer

PCLK, VS and HS signal to ST7701. In RGB Mode 2, back porch of Vsync is defined by VBP[5:0] of RGBPRCTR command. And back porch of Hsync is defined by HBP[5:0] of RGBPRCTR command. Front porch of Vsync is defined by VFP[5:0] of RGBPRCTR

command. And front porch of Hsync is defined by HFP[5:0] of RGBPRCTR

RGB I/F Mode	PCLK	DE	VS	HS	DB[23:0]	Register for Blanking Porch setting
RGB Mode 1	Used	Used	Used	Used	Used	Not Used
RGB Mode 2	Used	Not Used	Used	Used	Used	Used

Symbol	Name	Description
PCLK	Pixel clock	Pixel clock for capturing pixels at display interface
HS	Horizontal sync	Horizontal synchronization timing signal
VS	Vertical sync	Vertical synchronization timing signal
DE	Data enable	Data enable signal (assertion indicates valid pixels)
DB[23:0]	Pixel data	Pixel data in 16-bit, 18-bit and 24-bit format

The interface signals of RGB interface

8.1.1 RGB Color Format

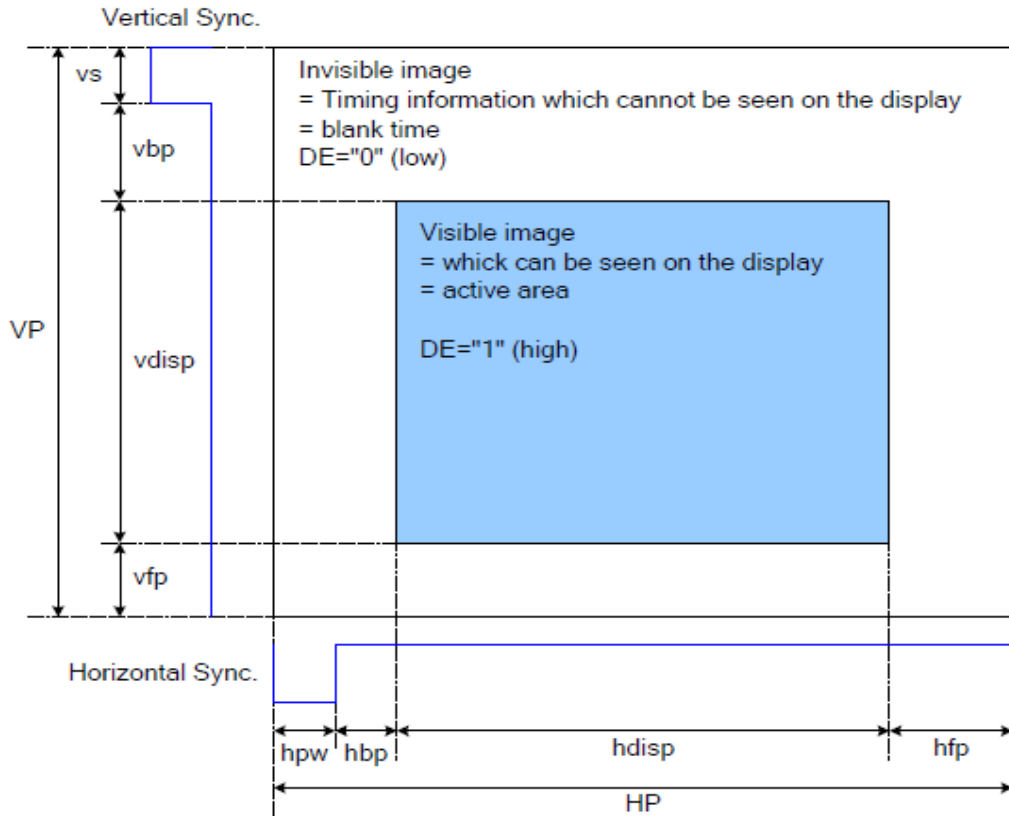
ST7701 supports two kinds of RGB interface, DE mode (mode 1) and HV mode (mode 2), and 16bit/18bit and 24 bit data format. When DE mode is selected and the VSYNC, HSYNC, DOTCLK, DE, D[17:0] pins can be used; when HV mode is selected and the VSYNC, HSYNC, DOTCLK, D[17:0] pins can be used. When using RGB interface, only serial interface can be selected.

Pad name	24 bits configuration VIPF[3:0]=0111	18 bits configuration VIPF[3:0]=0110		16 bits configuration VIPF[3:0]=0101
		MDT=0	MDT=1	
DB[23]	R7	Not used	Not used	Not used
DB[22]	R6	Not used	Not used	Not used
DB[21]	R5	R5	Not used	Not used
DB[20]	R4	R4	Not used	R4
DB[19]	R3	R3	Not used	R3
DB[18]	R2	R2	Not used	R2
DB[17]	R1	R1	R5	R1
DB[16]	R0	R0	R4	R0
DB[15]	G7	Not used	R3	Not used
DB[14]	G6	Not used	R2	Not used
DB[13]	G5	G5	R1	G5
DB[12]	G4	G4	R0	G4
DB[11]	G3	G3	G5	G3
DB[10]	G2	G2	G4	G2
DB[09]	G1	G1	G3	G1
DB[08]	G0	G0	G2	G0
DB[07]	B7	Not used	G1	Not used
DB[06]	B6	Not used	G0	Not used
DB[05]	B5	B5	B5	Not used
DB[04]	B4	B4	B4	B4
DB[03]	B3	B3	B3	B3
DB[02]	B2	B2	B2	B2
DB[01]	B1	B1	B1	B1
DB[00]	B0	B0	B0	B0

The interface color mapping of RGB interface

8.1.2 RGB Interface Definition

The display operation via the RGB interface is synchronized with the VSYNC, HSYNC, and DOTCLK signals. The data can be written only within the specified area with low power consumption by using window address function. The back porch and front porch are used to set the RGB interface timing.



DRAM Access Area by RGB Interface

Please refer to the following table for the setting limitation of RGB interface signals.

Parameter	Symbol	Min.	Typ.	Max.	Unit
DCLK frequency	FCLK	--	(17)	--	MHz
Horizontal Sync. Width	hpw	1	(8)	255	Clock
Horizontal Sync. Back Porch	hbp	1	(50)	255	Clock
Horizontal Sync. Front Porch	hfp	1	(10)	--	Clock
Vertical Sync. Width	vs	1	(8)	254	Line
Vertical Sync. Back Porch	vbp	1	(20)	254	Line
Vertical Sync. Front Porch	vfp	1	(10)	--	Line

Note:

1. Typical value are related to the setting frame rate is 60Hz..

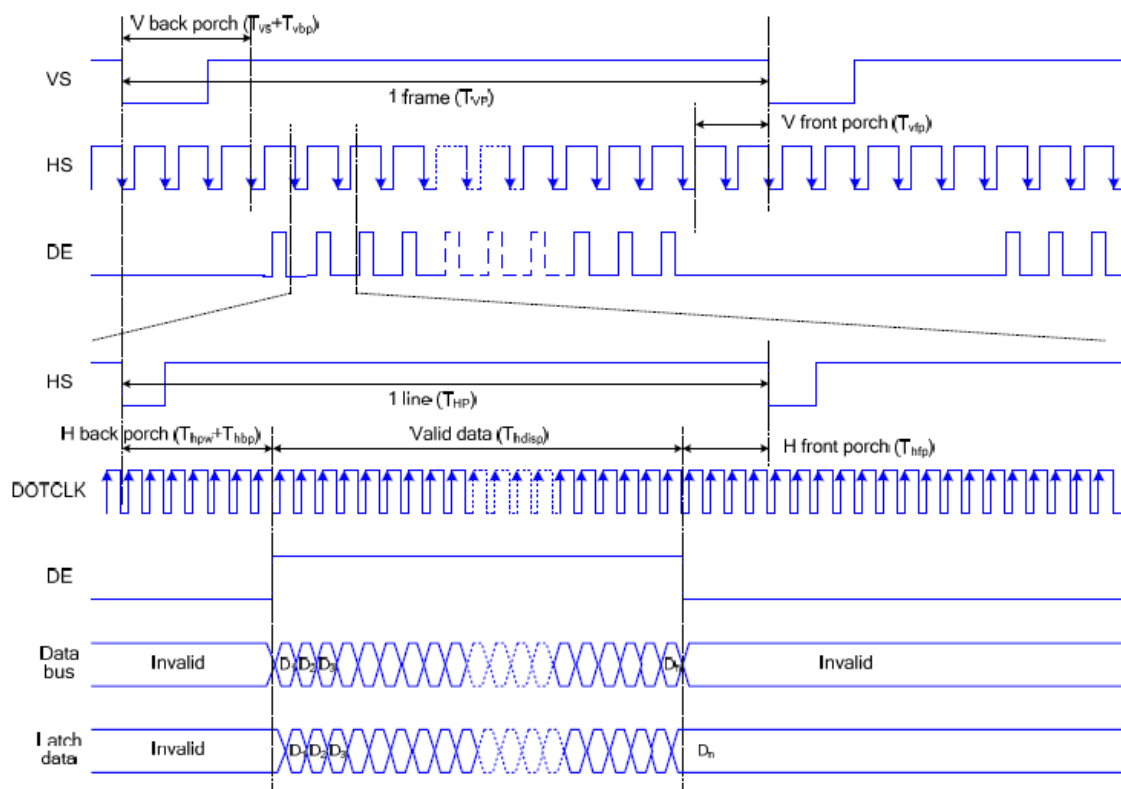
8.1.3 RGB Interface Mode Selection

ST7701 supports two kinds of RGB interface, DE mode and HV mode. The table shown below uses command C3h to select RGB interface mode.

DE/Sync	RGB Mode
0	DE mode
1	HV mode

8.1.4 RGB Interface Timing

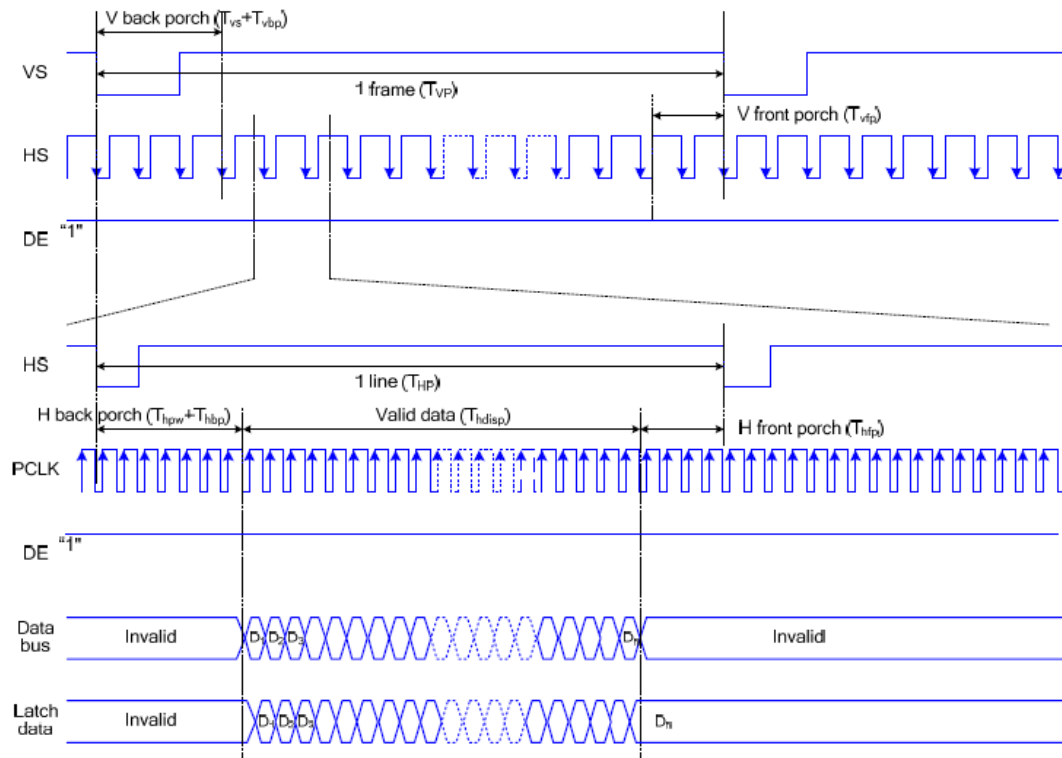
The timing chart of RGB interface DE mode is shown as follows.



Note: The setting of front porch and back porch in host must match that in IC as this mode.

Timing Chart of Signals in RGB Interface DE Mode

The timing chart of RGB interface HV mode is shown as follows.



Timing chart of RGB interface HV mod

9. LCD Module Out-Going Quality Level

9.1 VISUAL & FUNCTION INSPECTION STANDARD

9.1.1 Inspection conditions

Inspection performed under the following conditions is recommended.

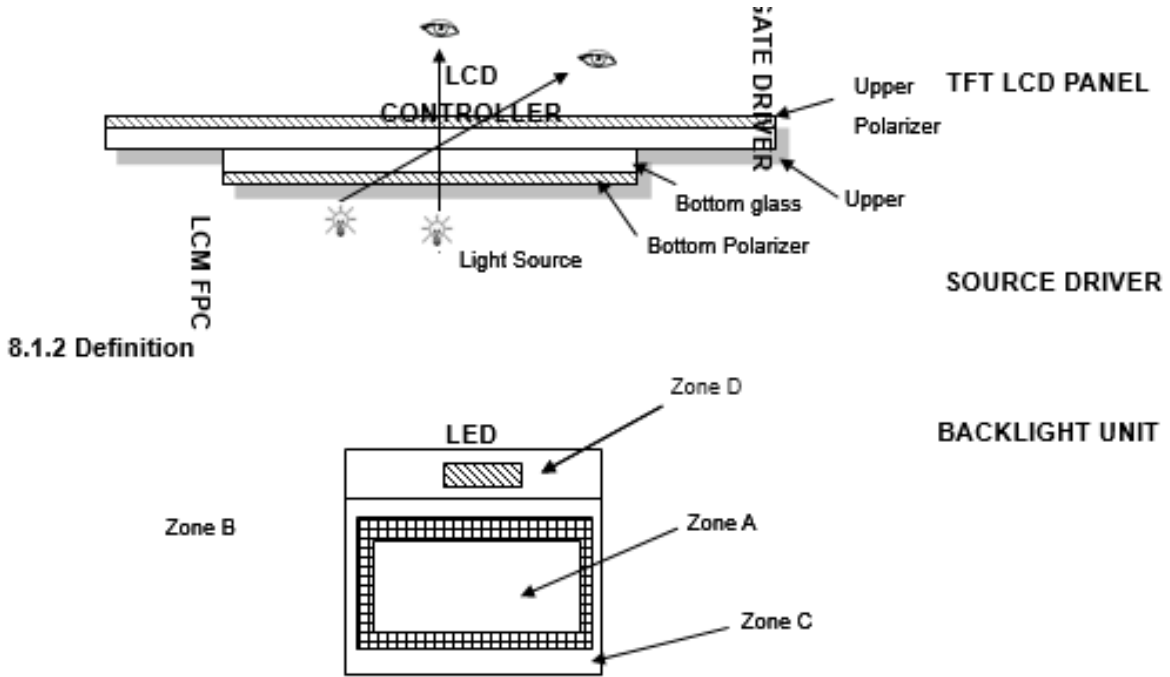
Temperature : $25 \pm 5^\circ\text{C}$

Humidity : $65\% \pm 10\% \text{RH}$

Viewing Angle : Normal viewing Angle.

Illumination: Single fluorescent lamp (300 to 700Lux)

Viewing distance: 30-50cm



Zone A : Effective Viewing Area(Character or Digit can be seen)

Zone B : Viewing Area except Zone A

Zone C : Outside (Zone A+Zone B) which can not be seen after assembly by customer .)

Zone D : IC Bonding Area

Note:As a general rule ,visual defects in Zone C can be ignored when it doesn't effect product function or appearance after assembly by customer

9.1.3 Sampling Plan

According to GB/T 2828.1-2003 ; , normal inspection, Class II

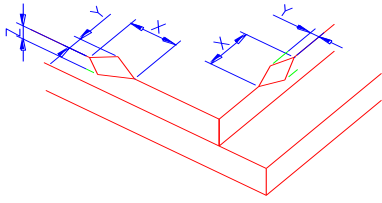
AQL:

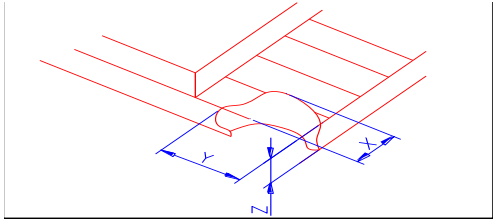
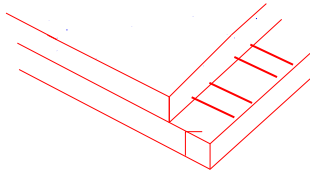
Major defect	Minor defect
0.65	1.5

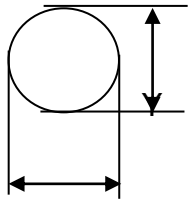
LCD: Liquid Crystal Display , TP: Touch Panel , LCM: Liquid Crystal Module

No	Items to be inspected	Criteria	Classification of defects
1	Functional defects	1) No display, Open or miss line 2) Display abnormally, Short 3) Backlight no lighting, abnormal lighting. 4) TP no function	Major
2	Missing	Missing component	
3	Outline dimension	Overall outline dimension beyond the drawing is not allowed	
4	Color tone	Color unevenness, refer to limited sample	Minor
5	Spot Line defect	Light dot, Dim spot, Polarizer Bubble ; Polarizer accidented spot.	
6	Soldering appearance	Good soldering , Peeling off is not allowed.	
7	LCD/Polarizer/TP	Black/White spot/line, scratch, crack, etc.	

9.1.4 Criteria (Visual)

Number	Items	Criteria(mm)						
1.0 LCD Crack/Broken NOTE: X: Length Y: Width Z: Height L: Length of ITO, T: Height of LCD	(1) The edge of LCD broken	 <table border="1" data-bbox="746 1664 1401 1814"> <thead> <tr> <th>X</th> <th>Y</th> <th>Z</th> </tr> </thead> <tbody> <tr> <td>≤3.0mm</td> <td><Inner border line of the seal</td> <td>≤T</td> </tr> </tbody> </table>	X	Y	Z	≤3.0mm	<Inner border line of the seal	≤T
X	Y	Z						
≤3.0mm	<Inner border line of the seal	≤T						

	<p>(2) LCD corner broken</p>	 <table border="1" data-bbox="804 479 1345 580"> <tr> <td>X</td> <td>Y</td> <td>Z</td> </tr> <tr> <td>≤3.0mm</td> <td>≤L</td> <td>≤T</td> </tr> </table>	X	Y	Z	≤3.0mm	≤L	≤T
X	Y	Z						
≤3.0mm	≤L	≤T						
	<p>(3) LCD crack</p>	 <p>Crack Not allowed</p>						

2.0	Spot defect	① light dot (LCD/TP/Polarizer black/white spot , light dot, pinhole, dent, stain)																									
		<table border="1" style="width: 100%; border-collapse: collapse;"> <thead> <tr> <th rowspan="2" style="text-align: center;">Zone Size (mm)</th> <th colspan="3" style="text-align: center;">Acceptable Qty</th> </tr> <tr> <th style="text-align: center;">A</th> <th style="text-align: center;">B</th> <th style="text-align: center;">C</th> </tr> </thead> <tbody> <tr> <td style="text-align: center;">$\Phi \leq 0.10$</td> <td colspan="3" style="text-align: center;">Ignore</td> </tr> <tr> <td style="text-align: center;">$0.10 < \Phi \leq 0.25$</td> <td colspan="3" style="text-align: center;">3(distance $\geq 10\text{mm}$)</td> </tr> <tr> <td style="text-align: center;">$0.25 < \Phi \leq 0.3$</td> <td colspan="3" style="text-align: center;">2</td> </tr> <tr> <td style="text-align: center;">$\Phi > 0.35$</td> <td colspan="3" style="text-align: center;">0</td> </tr> </tbody> </table>			Zone Size (mm)	Acceptable Qty			A	B	C	$\Phi \leq 0.10$	Ignore			$0.10 < \Phi \leq 0.25$	3(distance $\geq 10\text{mm}$)			$0.25 < \Phi \leq 0.3$	2			$\Phi > 0.35$	0		
	Zone Size (mm)	Acceptable Qty																									
		A	B	C																							
	$\Phi \leq 0.10$	Ignore																									
$0.10 < \Phi \leq 0.25$	3(distance $\geq 10\text{mm}$)																										
$0.25 < \Phi \leq 0.3$	2																										
$\Phi > 0.35$	0																										
$\Phi = (X+Y)/2$	Ignore																										
		② Dim spot (LCD/TP/Polarizer dim dot, light leakage, dark spot)																									
		<table border="1" style="width: 100%; border-collapse: collapse;"> <thead> <tr> <th rowspan="2" style="text-align: center;">Zone Size (mm)</th> <th colspan="3" style="text-align: center;">Acceptable Qty</th> </tr> <tr> <th style="text-align: center;">A</th> <th style="text-align: center;">B</th> <th style="text-align: center;">C</th> </tr> </thead> <tbody> <tr> <td style="text-align: center;">$\Phi \leq 0.1$</td> <td colspan="3" style="text-align: center;">Ignore</td> </tr> <tr> <td style="text-align: center;">$0.10 < \Phi \leq 0.25$</td> <td colspan="3" style="text-align: center;">3(distance $\geq 10\text{mm}$)</td> </tr> <tr> <td style="text-align: center;">$0.25 < \Phi \leq 0.3$</td> <td colspan="3" style="text-align: center;">2</td> </tr> <tr> <td style="text-align: center;">$\Phi > 0.35$</td> <td colspan="3" style="text-align: center;">0</td> </tr> </tbody> </table>			Zone Size (mm)	Acceptable Qty			A	B	C	$\Phi \leq 0.1$	Ignore			$0.10 < \Phi \leq 0.25$	3(distance $\geq 10\text{mm}$)			$0.25 < \Phi \leq 0.3$	2			$\Phi > 0.35$	0		
Zone Size (mm)	Acceptable Qty																										
	A	B	C																								
$\Phi \leq 0.1$	Ignore																										
$0.10 < \Phi \leq 0.25$	3(distance $\geq 10\text{mm}$)																										
$0.25 < \Phi \leq 0.3$	2																										
$\Phi > 0.35$	0																										
		③ Polarizer accidented spot																									
		<table border="1" style="width: 100%; border-collapse: collapse;"> <thead> <tr> <th rowspan="2" style="text-align: center;">Zone Size (mm)</th> <th colspan="3" style="text-align: center;">Acceptable Qty</th> </tr> <tr> <th style="text-align: center;">A</th> <th style="text-align: center;">B</th> <th style="text-align: center;">C</th> </tr> </thead> <tbody> <tr> <td style="text-align: center;">$\Phi \leq 0.2$</td> <td colspan="3" style="text-align: center;">Ignore</td> </tr> <tr> <td style="text-align: center;">$0.3 < \Phi \leq 0.5$</td> <td colspan="3" style="text-align: center;">2(distance $\geq 10\text{mm}$)</td> </tr> <tr> <td style="text-align: center;">$\Phi > 0.5$</td> <td colspan="3" style="text-align: center;">0</td> </tr> </tbody> </table>			Zone Size (mm)	Acceptable Qty			A	B	C	$\Phi \leq 0.2$	Ignore			$0.3 < \Phi \leq 0.5$	2(distance $\geq 10\text{mm}$)			$\Phi > 0.5$	0						
Zone Size (mm)	Acceptable Qty																										
	A	B	C																								
$\Phi \leq 0.2$	Ignore																										
$0.3 < \Phi \leq 0.5$	2(distance $\geq 10\text{mm}$)																										
$\Phi > 0.5$	0																										
		④ Pixel bad points (light dot, Dim dot, color dot)																									
		<table border="1" style="width: 100%; border-collapse: collapse;"> <thead> <tr> <th rowspan="2" style="text-align: center;">Zone Size (mm)</th> <th colspan="3" style="text-align: center;">Acceptable Qty</th> </tr> <tr> <th style="text-align: center;">A</th> <th style="text-align: center;">B</th> <th style="text-align: center;">C</th> </tr> </thead> <tbody> <tr> <td style="text-align: center;">$\Phi \leq 0.1$</td> <td colspan="3" style="text-align: center;">Ignore</td> </tr> <tr> <td style="text-align: center;">$0.15 < \Phi \leq 0.25$</td> <td colspan="3" style="text-align: center;">2(distance $\geq 10\text{mm}$)</td> </tr> <tr> <td style="text-align: center;">$\Phi > 0.3$</td> <td colspan="3" style="text-align: center;">0</td> </tr> </tbody> </table>			Zone Size (mm)	Acceptable Qty			A	B	C	$\Phi \leq 0.1$	Ignore			$0.15 < \Phi \leq 0.25$	2(distance $\geq 10\text{mm}$)			$\Phi > 0.3$	0						
Zone Size (mm)	Acceptable Qty																										
	A	B	C																								
$\Phi \leq 0.1$	Ignore																										
$0.15 < \Phi \leq 0.25$	2(distance $\geq 10\text{mm}$)																										
$\Phi > 0.3$	0																										
		⑤ Polarizer Bubble																									
		<table border="1" style="width: 100%; border-collapse: collapse;"> <thead> <tr> <th rowspan="2" style="text-align: center;">Zone Size (mm)</th> <th colspan="3" style="text-align: center;">Acceptable Qty</th> </tr> <tr> <th style="text-align: center;">A</th> <th style="text-align: center;">B</th> <th style="text-align: center;">C</th> </tr> </thead> <tbody> <tr> <td style="text-align: center;">$\Phi \leq 0.2$</td> <td colspan="3" style="text-align: center;">Ignore</td> </tr> <tr> <td style="text-align: center;">$0.3 < \Phi \leq 0.4$</td> <td colspan="3" style="text-align: center;">3(distance $\geq 10\text{mm}$)</td> </tr> <tr> <td style="text-align: center;">$0.4 < \Phi \leq 0.5$</td> <td colspan="3" style="text-align: center;">2</td> </tr> <tr> <td style="text-align: center;">$\Phi > 0.5$</td> <td colspan="3" style="text-align: center;">0</td> </tr> </tbody> </table>			Zone Size (mm)	Acceptable Qty			A	B	C	$\Phi \leq 0.2$	Ignore			$0.3 < \Phi \leq 0.4$	3(distance $\geq 10\text{mm}$)			$0.4 < \Phi \leq 0.5$	2			$\Phi > 0.5$	0		
Zone Size (mm)	Acceptable Qty																										
	A	B	C																								
$\Phi \leq 0.2$	Ignore																										
$0.3 < \Phi \leq 0.4$	3(distance $\geq 10\text{mm}$)																										
$0.4 < \Phi \leq 0.5$	2																										
$\Phi > 0.5$	0																										

3.0	Line defect (LCD/TP /Polarizer backlight black/white line, scratch, stain)	Width(mm)	Length(mm)	Acceptable Qty		
				A	B	C
		$\Phi \leq 0.05$	Ignore	Ignore		
		$0.05 < W \leq 0.06$	$L \leq 3.0$	$N \leq 2$		
		$0.07 < W \leq 0.08$	$L \leq 2.0$	$N \leq 1$		
	$0.08 < W$	Define as spot defect				
4.0	Electronic Components SMT	Not allow missing parts, solderless connection, cold solder joint, mismatch, The positive and negative polarity opposite				
5.0	Display color & Brightness	<ol style="list-style-type: none"> 1. Color: Measuring the color coordinates, The measurement standard according to the datasheet or samples. 2. Brightness: Measuring the brightness of White screen, The measurement standard according to the datasheet or Samples. 				
6.0	LCD Mura	By 5% ND filter invisible.				

Criteria (functional items)

Number	Items	Criteria (mm)
1	No display	Not allowed
2	Missing segment	Not allowed
3	Short	Not allowed
4	Backlight no lighting	Not allowed
5	TP no function	Not allowed

Item	Condition	Inspection after test
High Temperature	70°C,96H	Inspection after 2~4hours storage at room temperature, the sample shall be free from defects: 1.Air bubble in the LCD; 2.Non-display; 3.Missing segments/line; 4.Glass crack; 5.Current IDD is twice higher than initial value.
Low Temperature	-20°C, 96HR	
High Temperature	80°C, 96HR	
Low Temperature Storage	-30°C, 96HR	
High Temperature & High Humidity Operating	+60°C, 90% RH ,96 hours.	
Thermal Shock (Non-operation)	-10°C,30 min ↔ +60°C,30 min, Change time:5min 20CYC.	
ESD test	C=150pF, R=330,5points/panel Air:±8KV, 5times; Contact:±6KV, 5 times; (Environment: 15°C~35°C, 30%~60%).	
Vibration (Non-operation)	Frequency range:10~55Hz, Stroke:1.5mm Sweep:10Hz~55Hz~10Hz 2 hours for each direction of X.Y.Z. (6 hours for total)	
Box Drop Test	1 Corner 3 Edges 6 faces,80cm(MEDIUM	

10. Reliability Test Result

Remark:

- 1.The test samples should be applied to only one test item.
- 2.Sample size for each test item is 5~10pcs.
- 3.For Damp Proof Test, Pure water(Resistance > 10MΩ) should be used.
- 4.In case of malfunction defect caused by ESD damage, if it would be recovered to normal state after resetting, it would be judged as a good part.
- 5.Failure Judgment Criterion: Basic Specification, Electrical Characteristic, Mechanical

Characteristic, Optical Characteristic.

6. The color fading mura of polarizing filter should not care.

11. Cautions and Handling Precautions

11.1 Handling and Operating the Module

(1) When the module is assembled, it should be attached to the system firmly.

Do not warp or twist the module during assembly work.

(2) Protect the module from physical shock or any force. In addition to damage, this may cause improper operation or damage to the module and back-light unit.

(3) Note that polarizer is very fragile and could be easily damaged. Do not press or scratch the surface.

(4) Do not allow drops of water or chemicals to remain on the display surface.

If you have the droplets for a long time, staining and discoloration may occur.

(5) If the surface of the polarizer is dirty, clean it using some absorbent cotton or soft cloth.

(6) The desirable cleaners are water, IPA (Isopropyl Alcohol) or Hexane.

Do not use ketene type materials (ex. Acetone), Ethyl alcohol, Toluene, Ethyl acid or Methyl chloride.

It might permanent damage to the polarizer due to chemical reaction.

(7) If the liquid crystal material leaks from the panel, it should be kept away from the eyes or mouth. In case of contact with hands, legs, or clothes, it must be washed away thoroughly with soap.

(8) Protect the module from static; it may cause damage to the CMOS ICs.

(9) Use finger-stalls with soft gloves in order to keep display clean during the incoming inspection and assembly process.

(10) Do not disassemble the module.

(11) Protection film for polarizer on the module shall be slowly peeled off just before use so that the electrostatic charge can be minimized.

(12) Pins of I/F connector shall not be touched directly with bare hands.

(13) Do not connect, disconnect the module in the "Power ON" condition.

(14) Power supply should always be turned on/off by the item 6.1 Power On Sequence & 6.2 Power Off Sequence

11.2 Storage and Transportation.

(1) Do not leave the panel in high temperature, and high humidity for a long time.

It is highly recommended to store the module with temperature from 0 to 35 °C and relative humidity of less than 70%

(2) Do not store the TFT-LCD module in direct sunlight.

(3) The module shall be stored in a dark place. When storing the modules for a long time, be sure to

adopt effective measures for protecting the modules from strong ultraviolet radiation, sunlight, or fluorescent light.

(4) It is recommended that the modules should be stored under a condition where no condensation is allowed. Formation of dewdrops may cause an abnormal operation or a failure of the module.

In particular, the greatest possible care should be taken to prevent any module from being operated where condensation has occurred inside.

(5) This panel has its circuitry FPC on the bottom side and should be handled carefully in order not to be stressed.

