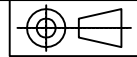
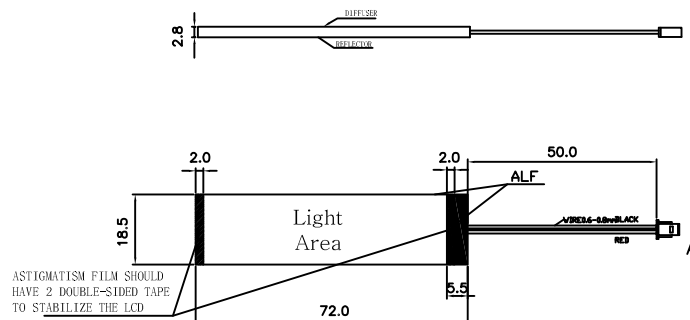


1. MECHANICAL OUTLINE

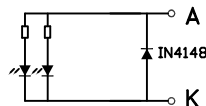
COLOR : RED



(Unspecified Tolerances is ± 0.3)



2. CIRCUIT DIAGRAM (LED 1X2=2 SMD dies)



3. STORAGE & SOLDERING CONDITIONS:

- Store with care. Storing the units in bad condition will cause the reflector sheet and decrease its adhesive power. Storage The products under the condition: temperature ($25^{\circ}\text{C} \pm 10^{\circ}\text{C}$) and humidity ($65\%RH \pm 20\%RH$) our recommendation.
- The Soldering Temperature is $260 \pm 5^{\circ}\text{C}$ and Soldering Time should be less than 3 sec, and soldering iron power should be less than 30W.
- The soldering point should be farther than 1.6mm ($1/10''$) from body .
- The product is sensitive to static electricity, So it's necessary to take proper steps when storing and soldering.

2					DESIGN:
1					CHECKED:
ISSUE	AMENDMENT	DATE			COUNTERSIGN:
DRAWING NO.: JAZZ-DE-R		REV: A0	SHEET: 1 OF 2	DATE: 2013.8.13	APPROVED:

4. ABSOLUTE MAXIMUM RATINGS (SINGLE LED)

(Unless specified, The Ambient temperature $T_a=25^{\circ}\text{C}$)

Item	Symbol	Conditions	Rating	Unit
* Absolute maximum forward current	Ifm		25	mA
* Peak forward current	Ifp	1 msec Plus 10% Duty Cycle	60	mA
Reverse Voltage	Vr		5	V
* Power dissipation	Pd		50	mW
Operating Temperature Range	Topr		-30~+70°C	°C
Storage Temperature Range	Tstg		-40~+80°C	°C

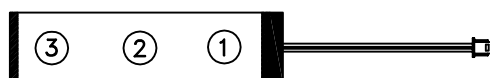
* For operation above 25°C , The Ifm Ifp & Pd must be derated, the Current derating is $-0.36 \text{ mA}/^{\circ}\text{C}$ for DC drive and $-0.86 \text{ mA}/^{\circ}\text{C}$ for Pulse drive, the Power dissipation is $-0.75 \text{ mW}/^{\circ}\text{C}$. The product working current must not more than the 60 % of the Ifm or Ifp according to the working temperature.

5. ELECTRICAL-OPTICAL CHARACTERISTICS

(Unless specified, The Ambient temperature $T_a=25^{\circ}\text{C}$)

Item	Symbol	min.	typ.	max.	Unit	Condition
Forward Voltage	Vf	3.1	3.3	3.5	V	If= 30 mA
Reverse Current	Ir			10	Am	Vr= 0.8 V
Peak wave length	λ_p	615	620	625	nm	If= 30 mA
Spectral Line Half width	$\Delta\lambda$		20		nm	If= 30 mA
* Luminance	Lv				cd/m ²	If= 30 mA

* The luminance is the average value of 3 points, and, The $L_{vmax.}/L_{vmin.}$ is 1.3 max. The measurement instrument is ST-86LA luminance Colorimeter. The caperture is $\phi 5 \text{ mm}$.



DESIGN:
CHECKED:
COUNTERSIGN:
APPROVED: