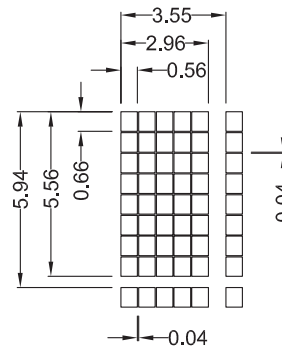
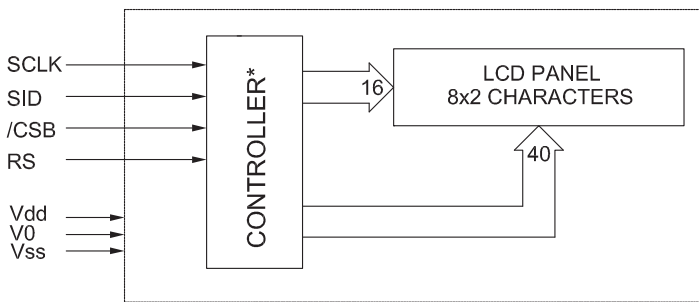
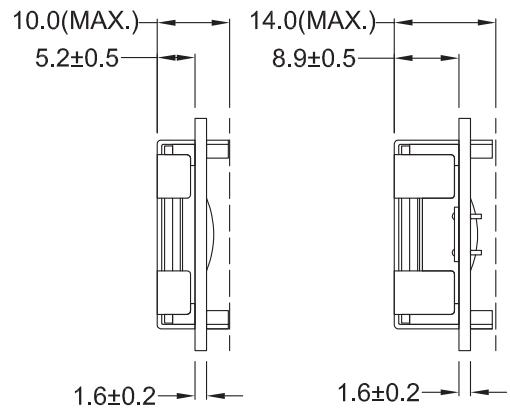


NO B/L      BOTTOM LIT LED B/L



Pin No	Symbol
1	A
2	K
3	Vss
4	Vdd
5	SCLK
6	SID
7	V0
8	/CSB
9	RS
10	NC