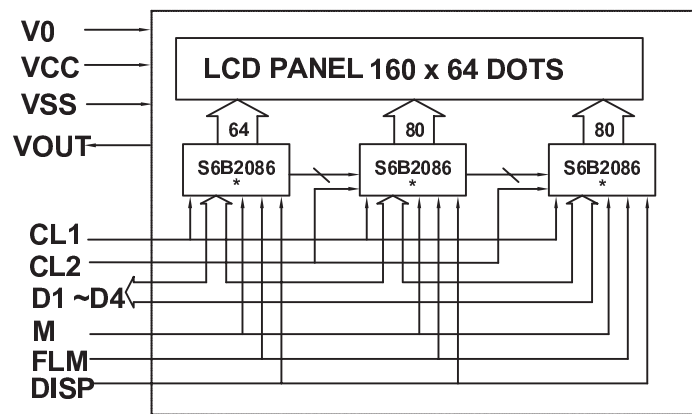
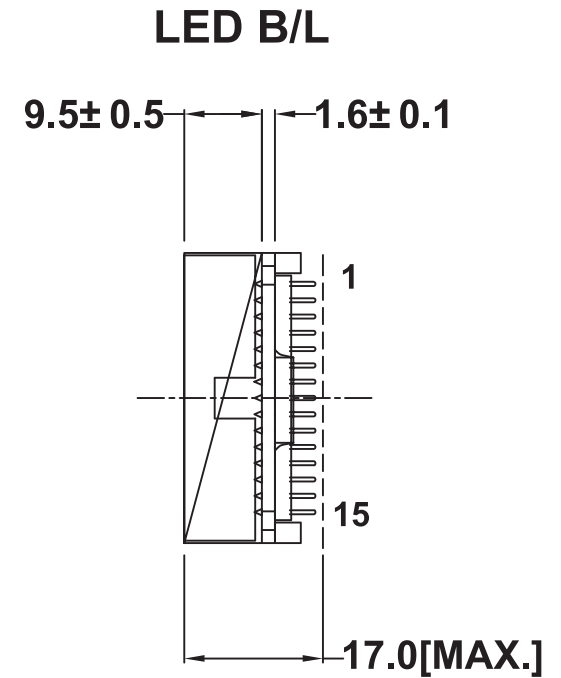
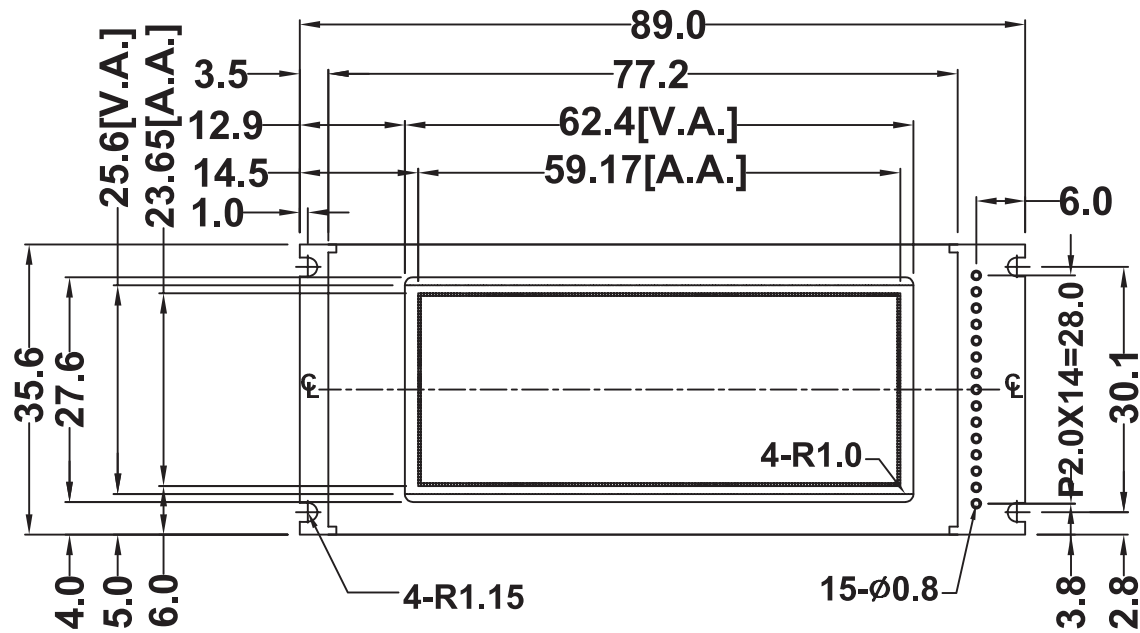
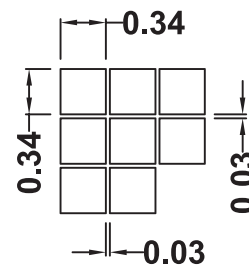


Unmarked tolerance ±0.3



*OR EQUIVALENT



Pin No	Symbol	Pin No	Symbol
1	FLM	9	D1
2	CL1	10	D2
3	CL2	11	D3
4	M	12	D4
5	V0	13	/DISO OFF
6	VDD	14	A/K
7	VSS	15	A/K
8	VOUT		