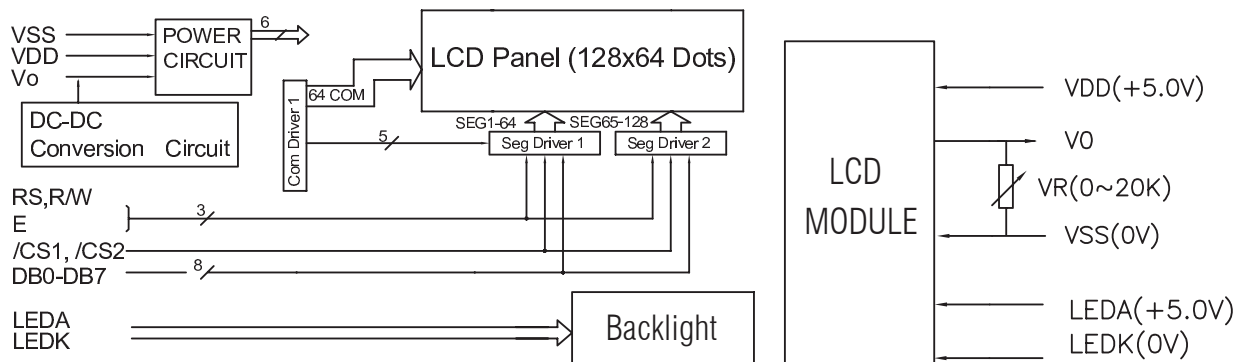
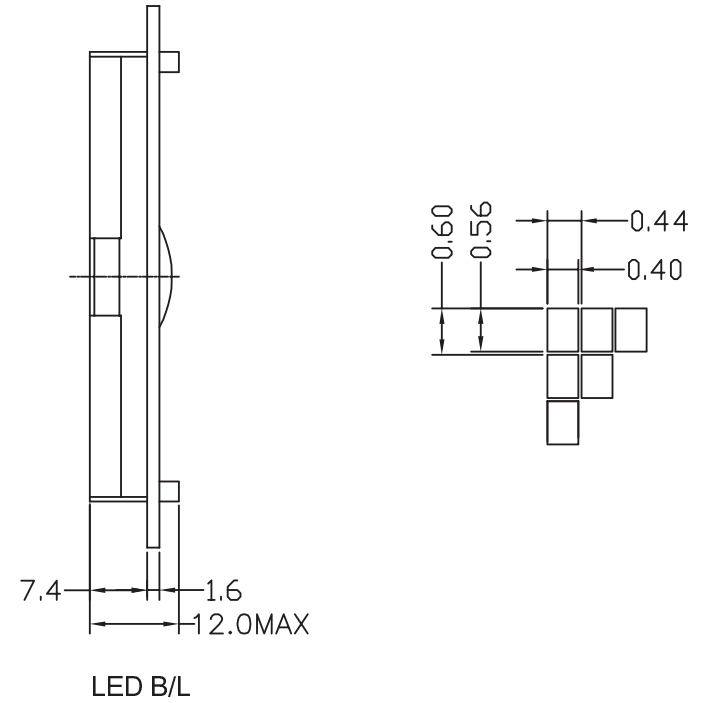
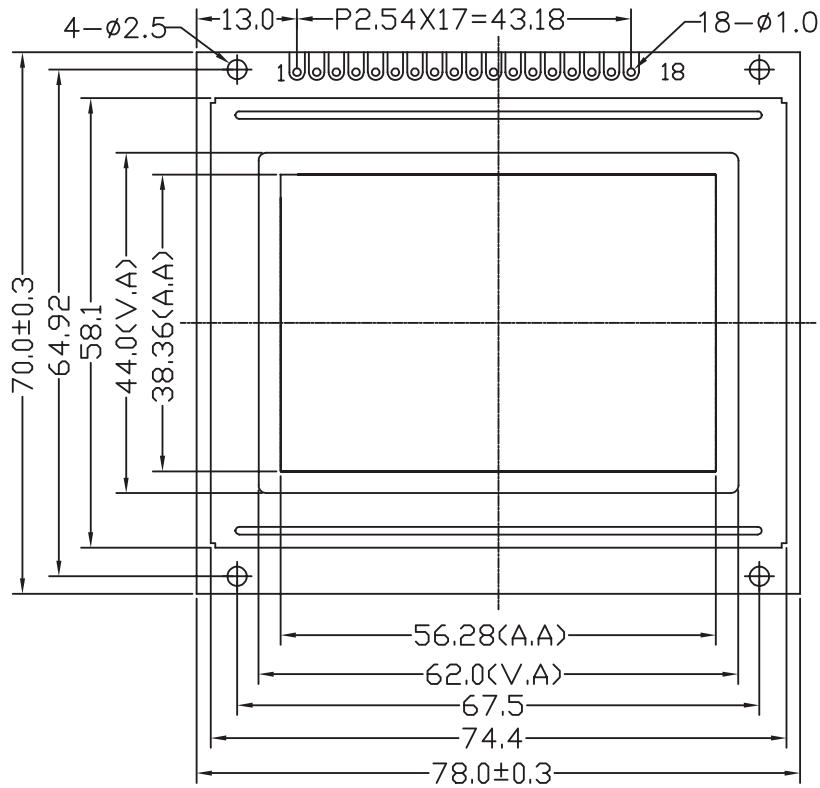


Unmarked tolerance ±0.3



Pin No	Symbol	Pin No	Symbol
1	CS1	10	DB1
2	CS2	11	DB2
3	VSS	12	DB3
4	VDD	13	DB4
5	Vo	14	DB5
6	RS	15	DB6
7	R/W	16	DB7
8	E	17	LEDA
9	DB0	18	LEDK