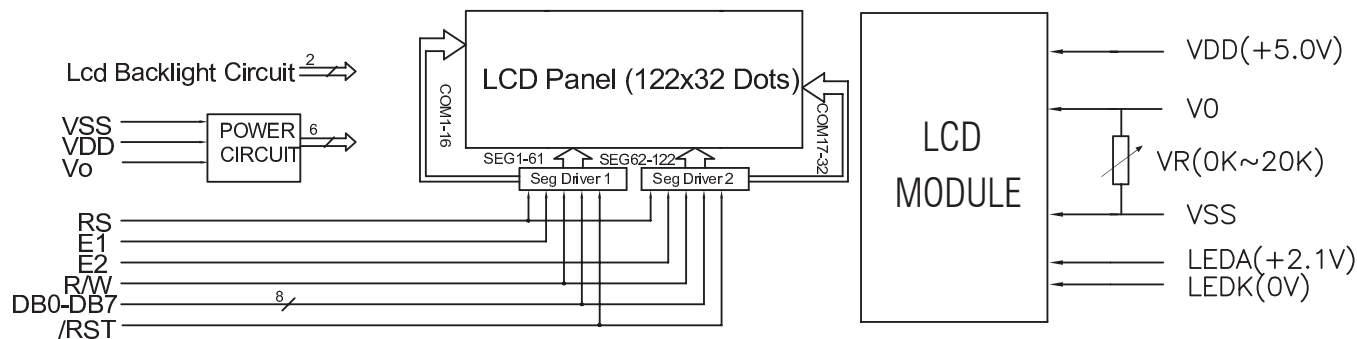
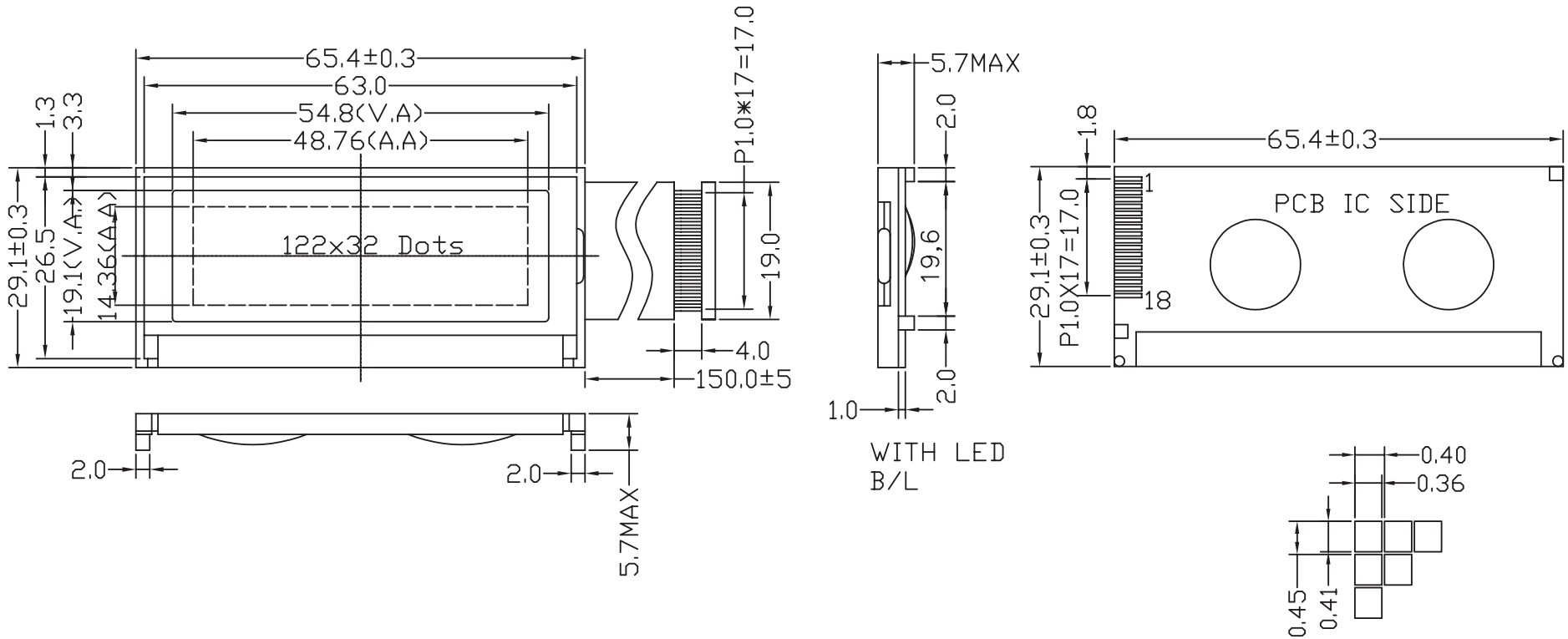


Unmarked tolerance ±0.3



| Pin No | Symbol | Pin No | Symbol |
|--------|--------|--------|--------|
| 1 | VSS | 10 | DB1 |
| 2 | VDD | 11 | DB2 |
| 3 | Vo | 12 | DB3 |
| 4 | /RST | 13 | DB4 |
| 5 | E1 | 14 | DB5 |
| 6 | E2 | 15 | DB6 |
| 7 | R/W | 16 | DB7 |
| 8 | A0 | 17 | LEDA |
| 9 | DB0 | 18 | LEDK |