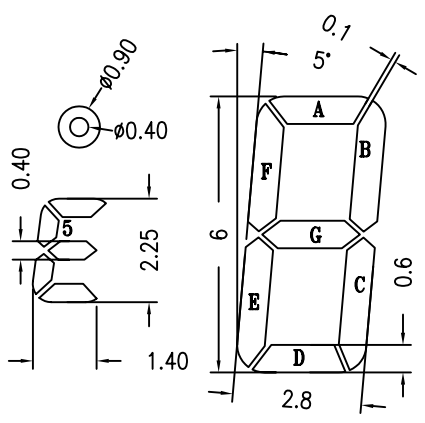
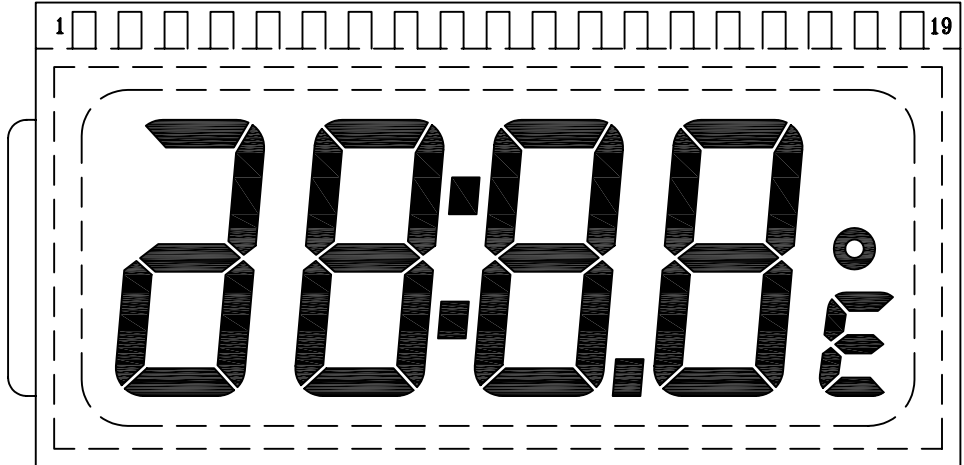


PIN	Ø1	Ø2	Ø3	Ø4	Ø5	Ø6	Ø7	Ø8	Ø9	10	11	12	13	14	15	16	17	18	19
COM1	/	D1	G1	/	D2	E2	G2	C2	D4	E3	G3	C3	D3	E4	G4	C4	/	D5	COM1
COM2	COM2	E1	A1	B1	C1	F2	A2	B2	COL	F3	A3	B3	P1	F4	A4	B4	⊙AEF5	G5	/



NOTES:

- |  |                               |
|--|-------------------------------|
| 1. DISPLAY TYPE: TN                    | 5. OPERATING VOLTAGE: 3.0 V   |
| 2. VIEWING DIRECTION: 6:00             | 6. OPERATING TEMP: -20°C~60°C |
| 3. POLARIZER MODE: POSITIVE/REFLECTIVE | 7. STORAGE TEMP: -20°C~70°C   |
| 4. DRIVER METHOD: 1/2 DUTY 1/2 BIAS    | 8. CONNECTOR: WITHOUT PIN     |