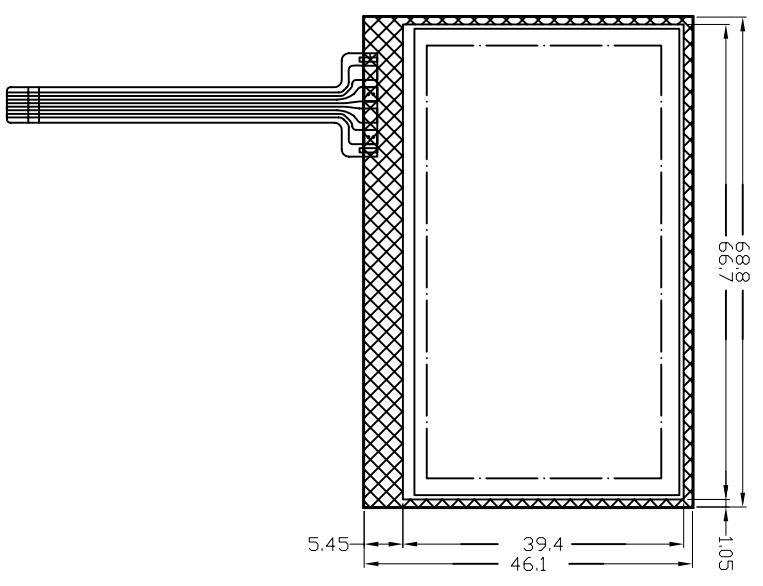
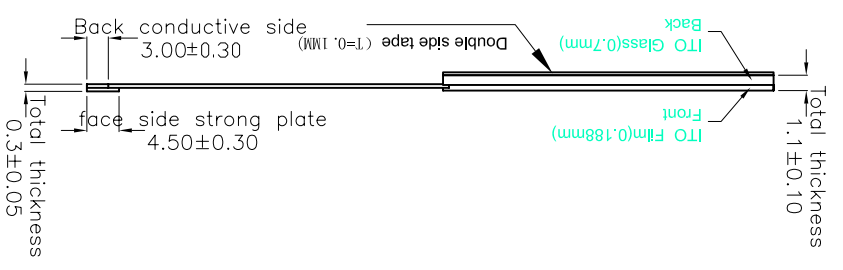
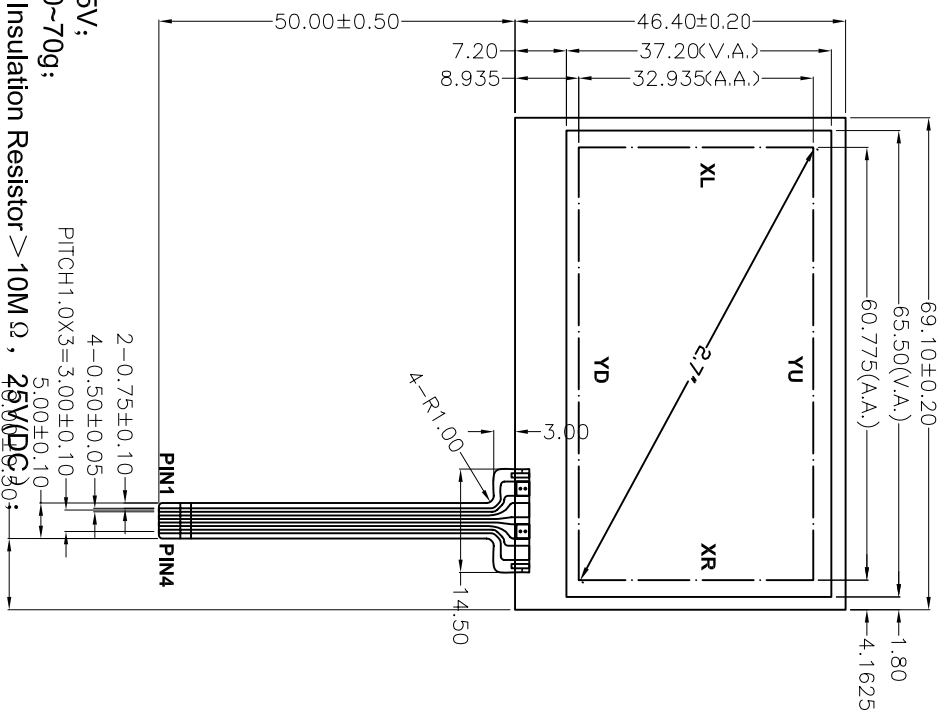
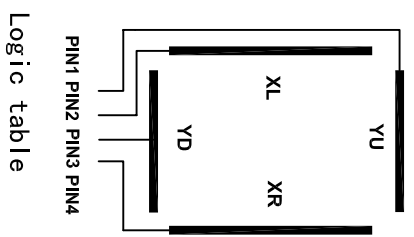


1.1	Add double side tape based A version
1.3	Change material based B version



- 1、 Driving Condition: DC5V;
- 2、 Operating Pression: 30~70g;
- 3、 Linear Rate $\leq \pm 1.5\%$; Insulation Resistor $> 10M \Omega$, $25V/DC$; 30 ;
- 4、 Operating temp.: $-10^{\circ}C \sim +60^{\circ}C$, $\leq 90\%RH$;
- 5、 Storage temp.: $-20^{\circ}C \sim +70^{\circ}C$, $< 90\%RH$;
- 6、 Transmission Rate: $> 78\%$;
- 7、 Structure: Film/Glass(F/G);
- 8、 Connection: FPC [double side];
- 9、 ITO Film material: Antiglare and anti-Newton ring;
- 10、 Life time: 1,000,000 times;
- 11、 Response time: $< 10ms$;
- 12、 ROHS compliant.

Drawn by			Product No.	JAZZ-AT	Rev. 1.3
Checked by			Client No.		
Q.A. by		Standard tolerance: ± 0.20	Unit: mm	Sheet No. 1 of 1	Date 2015.08.07