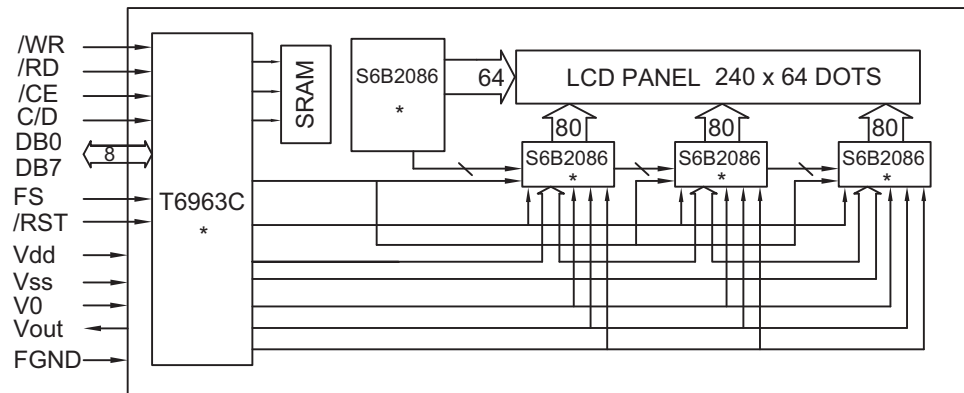
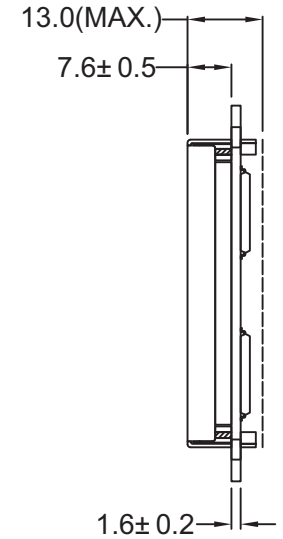
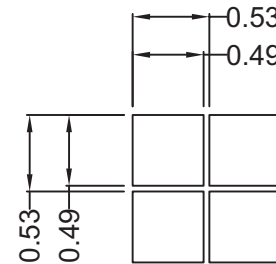


Unmarked tolerance ±0.3

SIDE LIT  
LED B/L



\* OR EQUIVALENT



PIN CONNECTIONS		
PIN	SYMBOL	DESCRIPTION
1	FGND	Frame GND
2	Vss	Power Supply : 0V
3	Vdd	Power Supply : +5V
4	V0	Contrast Adjustment
5	/WR	Write to T6963C
6	/RD	Read from T6963C
7	/CE	Chip Enable
8	C/D	Command(H)/Data(L)
9	NC,RV	No Connection or Reverse Display
10	/RST	Reset
11-18	DB0-DB7	Data Bus
19	FS	Font Select(H:6X8,L:8X8)
20	NC,Vout	No Connection or Negative Voltage Output