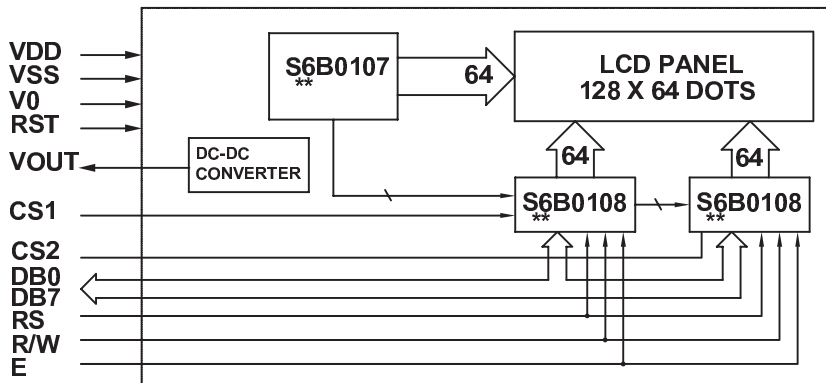
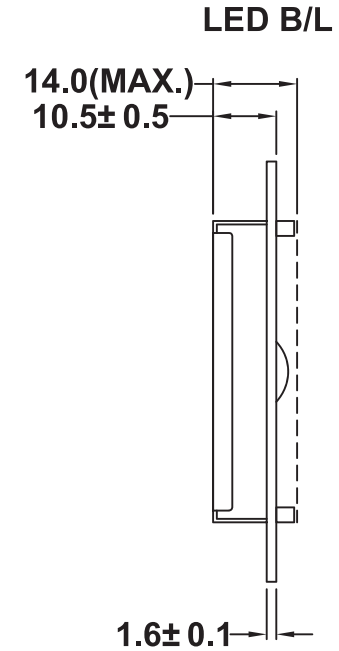
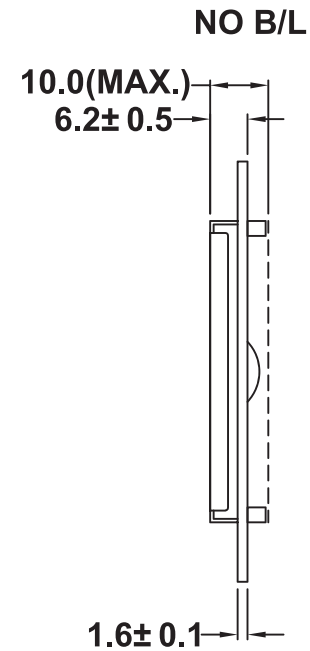
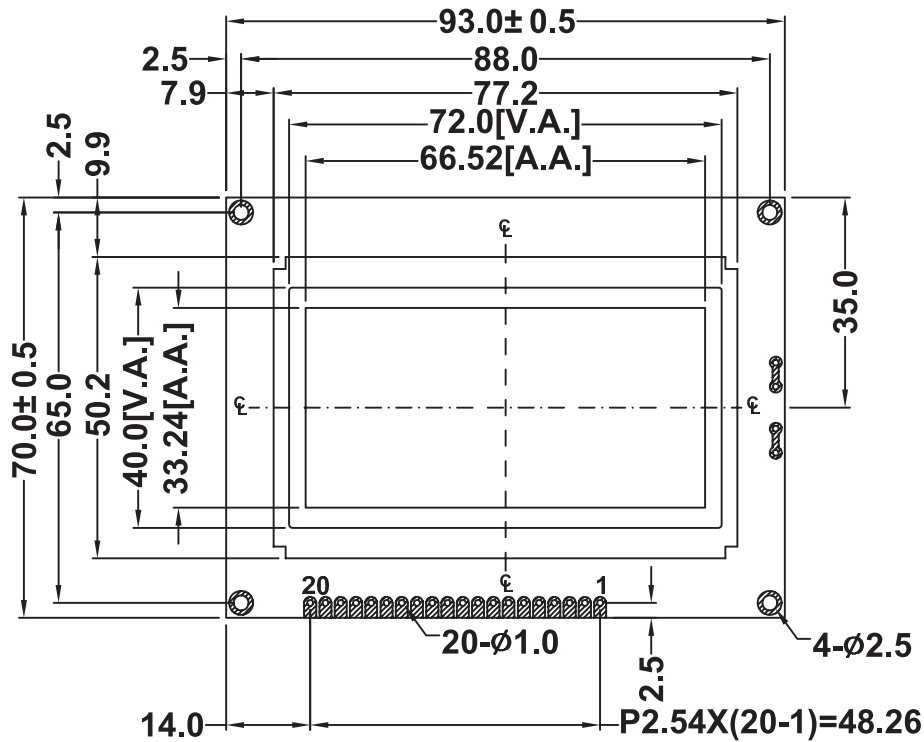
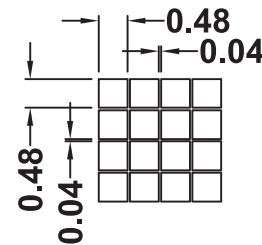


Unmarked tolerance ±0.3



\*\* OR EQUIVALENT



Pin No	Symbol	Pin No	Symbol
1	VSS	11	DB4
2	VDD	12	DB5
3	VEE	13	DB6
4	RS	14	DB7
5	R/W	15	CS1
6	E	16	CS2
7	DB0	17	RST
8	DB1	18	VOUT
9	DB2	19	A
10	DB3	20	K