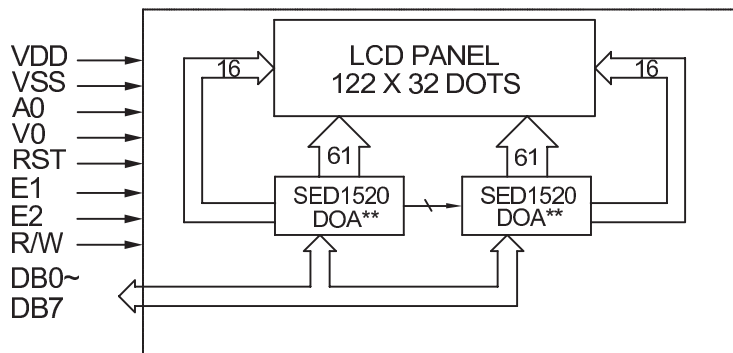
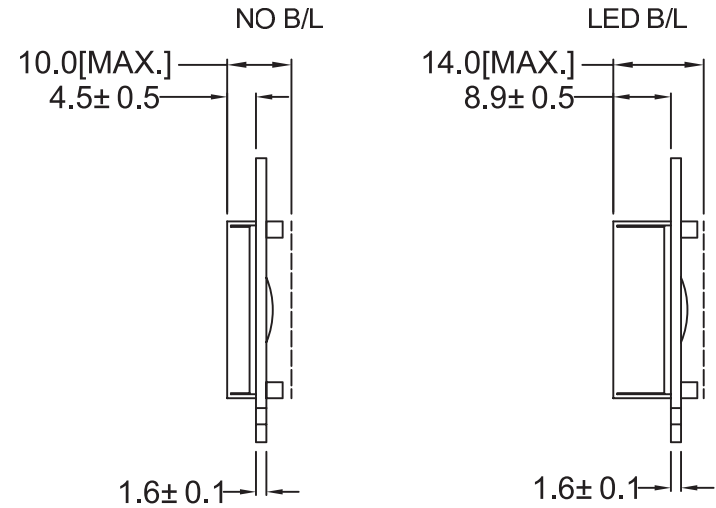
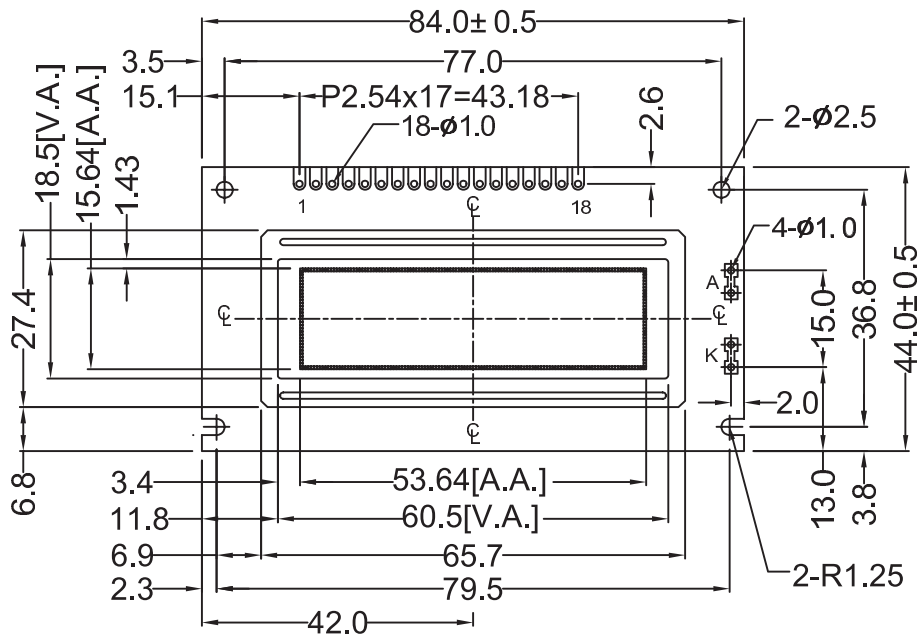
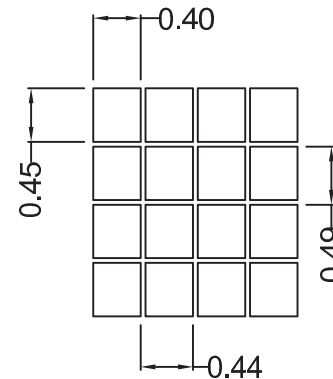


Unmarked tolerance ±0.3



** OR EQUIVALENT



Pin No	Symbol	Pin No	Symbol
1	VSS	10	DB2
2	VDD	11	DB3
3	V0	12	DB4
4	A0	13	DB5
5	E1	14	DB6
6	E2	15	DB7
7	RW	16	RST
8	DB0	17	A
9	DB1	18	K