



Doc.No.: AFY800480A0-7.0N6NTN-C

REV : A0

PAGE : 1/19

EFFECTIVE DATE : 2014-07-20

SPECIFICATION OF LCD MODULE

MODULE NO.: AFY800480A0-7.0N6NTN-C

Customer Approval:

Accept

Reject

FUTURE FOCUS	SIGNATURE	DATE
PREPARED BY		
CHECKED BY		
APPROVED BY		



Doc.No.: AFY800480A0-7.0N6NTN-C

REV : A0

PAGE : 2/19

EFFECTIVE DATE : 2014-07-20

Sample Version	Doc. Version	DATE	DESCRIPTION	CHECKED BY
001	A0	2014-07-20	First Release.	

CONTENTS

List	Description	Page No.
	NUMBER SYSTEM INTRODUCTION	4
1	GENERAL SPECIFICATIONS	4
2	BLOCK DIAGRAM	5
3	DIMENSIONAL OUTLINE	5
4	PIN DESCRIPTION	7
5	ELECTRICAL CHARACTERISTICS	8
6	INPUT SIGNAL TIMING	12
7	OPTICAL CHARACTERISTICS	16
8	RELIABILITY	18
9	SPECIFICATION OF QUALITY ASSURANCE	18
10	GENERAL PRECAUTION	18
11	LIMITED WARRANTY	18
12	PACKAGE	19

NUMBER SYSTEM INTRODUCTION:

AFY240320A1-2.8N6NTN-C:

AF: Orient Display TFT;

Y: JAZZ TFT;

240320: Length * width pixel;

A1: Product Version;

2.8: Diagonal Dimension;

N: LCD Mode (N: TN; I: IPS; V: VA)

6: Viewing Direction (6-> 6:00; 12->12:00; Unavailable for IPS and VA);

N: Temperature Range (N: Normal; W: Wide);

T: Polarizer (T:Transmissive; F:Transflective);

N: Luminance (N: Normal <300 nit; M: Middle >=300 & <600 nit;
H: High >=600 nit);

C: TP Option (R: Resistive TP; C: Capacitive TP; N: Without TP);

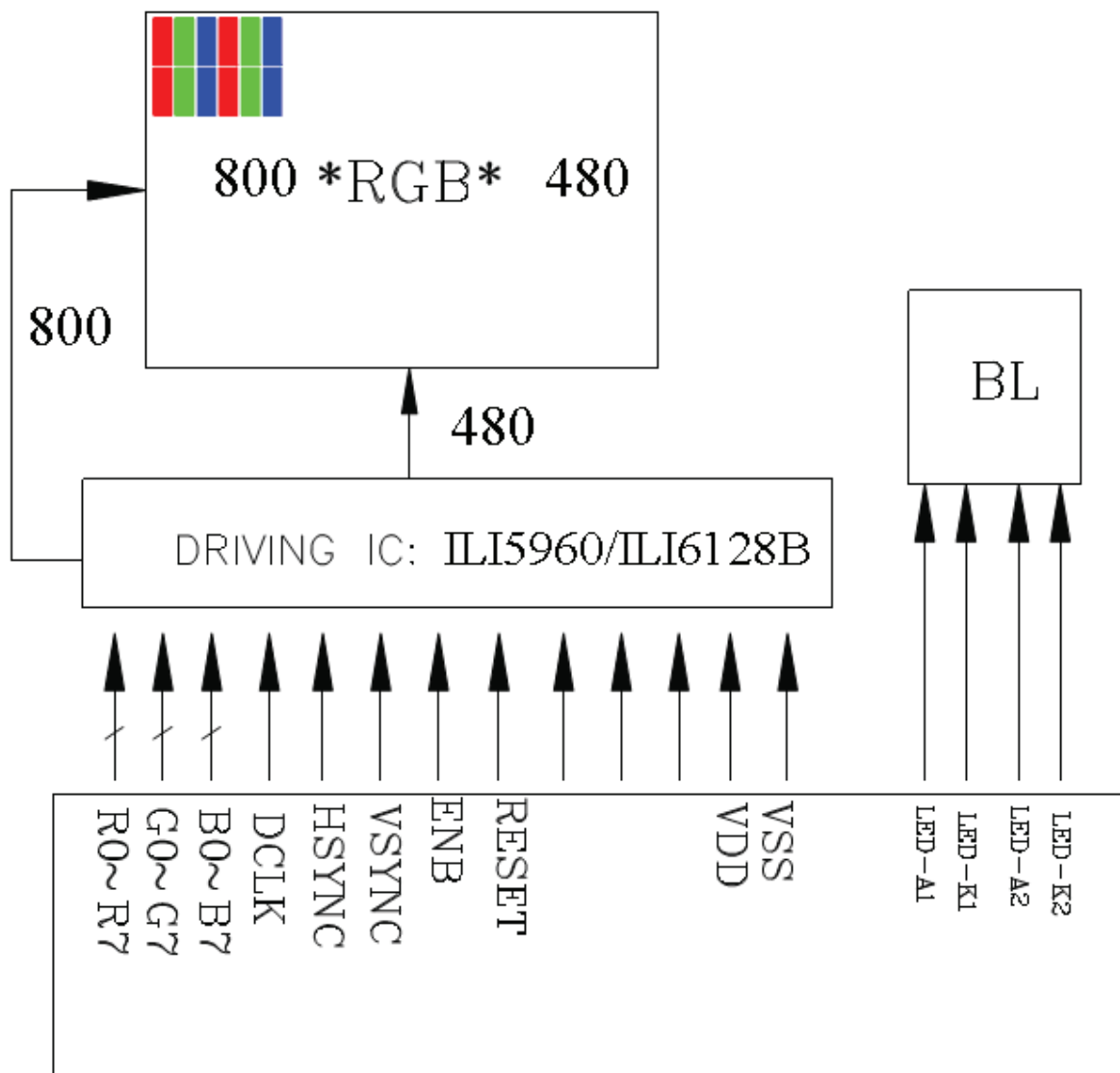


1. GENERAL SPECIFICATIONS:

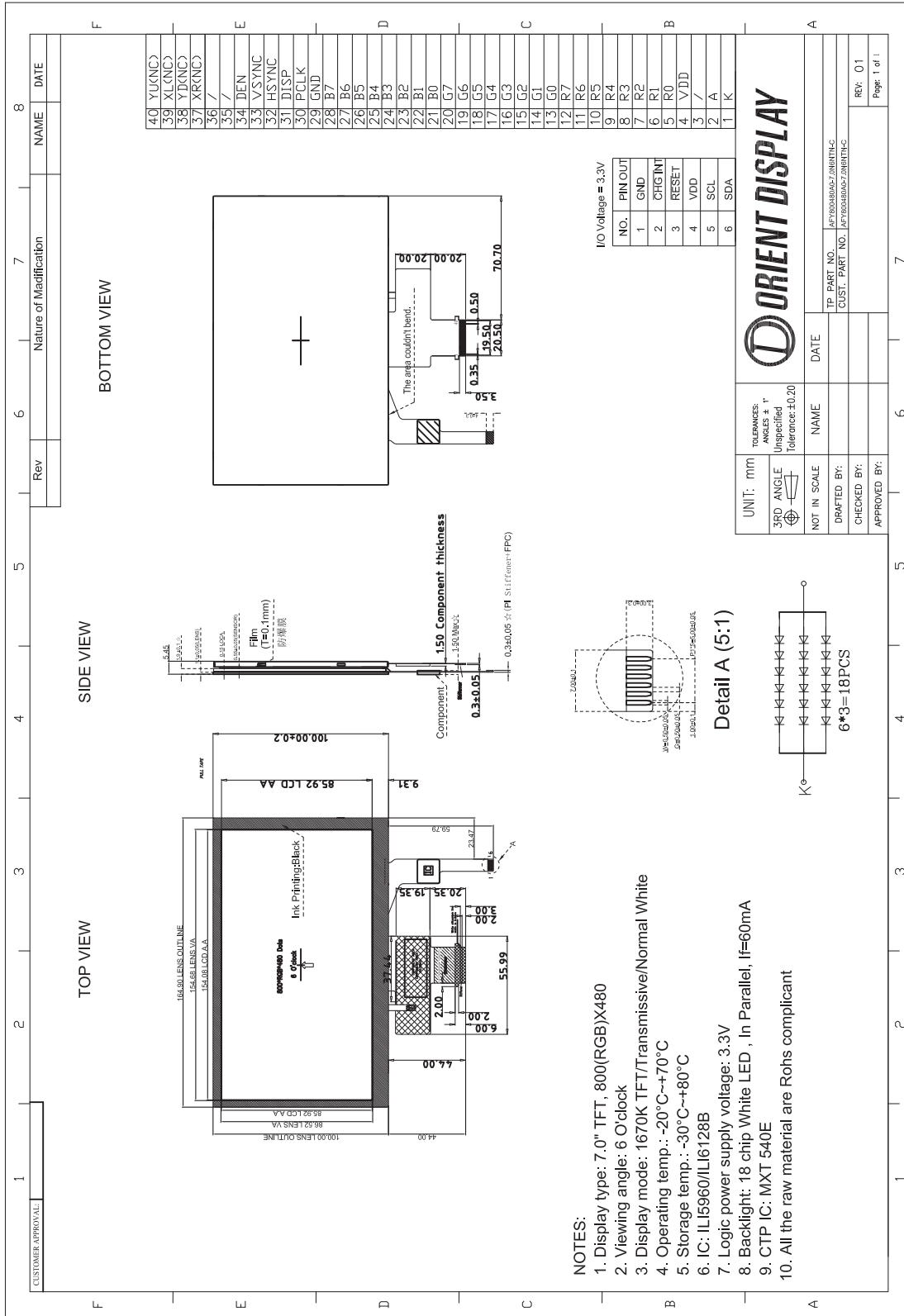
ITEM	SPECIFICATION	UNIT
OUTLINE DIMENSIONS	164.9 (W) X100 (H) X5.45 (D)	mm
DISPLAY SIZE	7.0	inch
DOT PITCH	0.1926mmX0.1790mm	mm
NUMBER OF DOTS	800* (RGB) *480	-
DRIVER IC	ILI5960/ILI6128B	-
LCD TYPE	TFT(16.7M) TRANSMISSIVE	-
INTERFACE	RGB 24BITS	
BACKLIGHT TYPE	LED White	-
VIEWING DIRECTION	6 O'clock	-
GRAY SCALE DIRECTION	6 O'clock	-

***See attached drawing for details.**

2.BLOCK DIAGRAM:



3.DIMENSIONAL OUTLINE



4. PIN DESCRIPTION:

NO.	PIN NAME	Type	Description
1	LED-	P	Power supply for LED (Cathode)
2	LED+	P	Power supply for LED (Anode)
3	/	/	NC
4	VDD	P	Power voltage
5	R0	I	RED data signal(LSB)
6	R1	I	RED data signal
7	R2	I	RED data signal
8	R3	I	RED data signal
9	R4	I	RED data signal
10	R5	I	RED data signal
11	R6	I	RED data signal
12	R7	I	RED data signal(MSB)
13	G0	I	GREEN data signal(LSB)
14	G1	I	GREEN data signal
15	G2	I	GREEN data signal
16	G3	I	GREEN data signal
17	G4	I	GREEN data signal
18	G5	I	GREEN data signal
19	G6	I	GREEN data signal
20	G7	I	GREEN data signal(MSB)
21	B0	I	BLUE data signal(LSB)
22	B1	I	BLUE data signal
23	B2	I	BLUE data signal
24	B3	I	BLUE data signal
25	B4	I	BLUE data signal
26	B5	I	BLUE data signal
27	B6	I	BLUE data signal
28	B7	I	BLUE data signal(MSB)
29	GND	I	Ground(0V)
30	DOTCLK	I	Pixel clock signal
31	DISP	I	Display on/ off
32	HSYNC	I	Horizontal synchronizing signal
33	VSNC	I	Vertical synchronizing signal
34	DE	I	Data enable
35	/	/	NC
36	/	/	NC
37	XR(NC))	-	No connection
38	YD(NC)	-	No connection
39	XL(NC)	-	No connection
40	YU (NC)	-	No connection

Note: I: input, O: output, P: Power



Doc.No.: AFY800480A0-7.0N6NTN-C

REV : A0

PAGE : 8/19

EFFECTIVE DATE : 2014-07-20

CTP interface description

Interface NO.	NAME	I/O or connect to	DESCRIPTION
1	GND	P	Ground
2	INT	O	State change interrupt
3	RST	I	Reset low
4	VDD	P	Power of CTP DC3.3V
5	SCL	I	Serial interface clock
6	SDA	I/O	Serial interface data

NOTE: (FOR CTP)

Please download details at <http://www.orientdisplay.com/pdf/mXT540E.pdf>

5.ELECTRICAL CHARACTERISTICS

5.1 Absolute Maximum Ratings

Item	Symbol	Values		Unit	Remark
		Min	Max.		
Power Supply for Pump	VCC	-0.3	5.0	V	
Operating temperature range	To	-10	60	Degree C	
Storage temperature range	Ts	-20	70	Degree C	
Logic input voltage range	VI	-0.3	VCC+0.3	V	
Logic input voltage range	VO	-0.3	VCC+0.3	V	

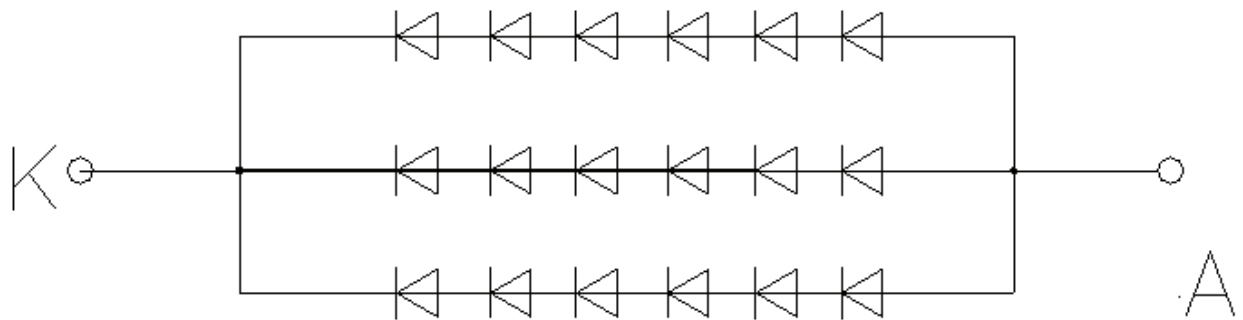
Note: Stresses beyond those given in the Absolute Maximum Rating table may cause operational errors or damage to the device. For normal operational conditions see AC/DC Electrical Characteristics

5.2 DC Characteristics

Item	Symbol	Values			Unit	Conditions
		Min	Typ.	Max.		
Low Level Input Voltage	Vil	GND	-	0.3xVCC	v	
High Level Input Voltage	Vih	0.7xVCC	-	VCC	uA	
High Level Output Voltage	Voh	VCC-0.4	-	VCC	ohm	
Low Level Output Voltage	Vol	GND	-	GND+0.4	uA	
Power Supply	VCC	2.8	3.3	3.6	V	
Input Leakage Current	Iil			±1.0	uA	
Pull High/Low Resistor	Rp	-	100K	-	ohm	

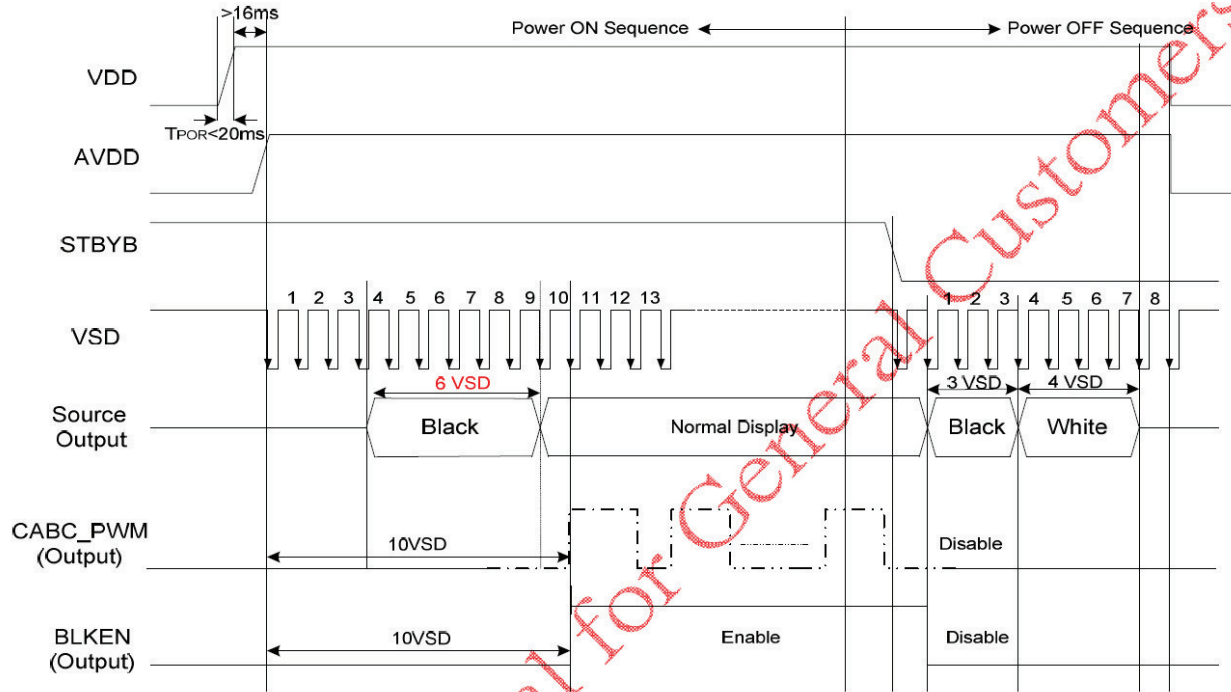
5.3 DC BackLight Unit

Item	Symbol	Min.	Typ.	Max.	Unit	Remark
Average luminous Intensity	Iv		250		cd/ m2	IF=60mA
Chromaticity Coordinates	X	0.234	0.284	0.334		IF=60mA
	Y	0.273	0.323	0.373		IF=60mA
Forward Voltage	VF		19.2	20.4	V	IF=60mA
Reverse Current	IR			50	μA	VR=10V,1LED
Luminous Tolerance	IV-M	80			%	(MIN/MAX)×100
Power Dissipation	Pd	1152			mW	
Reverse Voltage	VR	5			V	

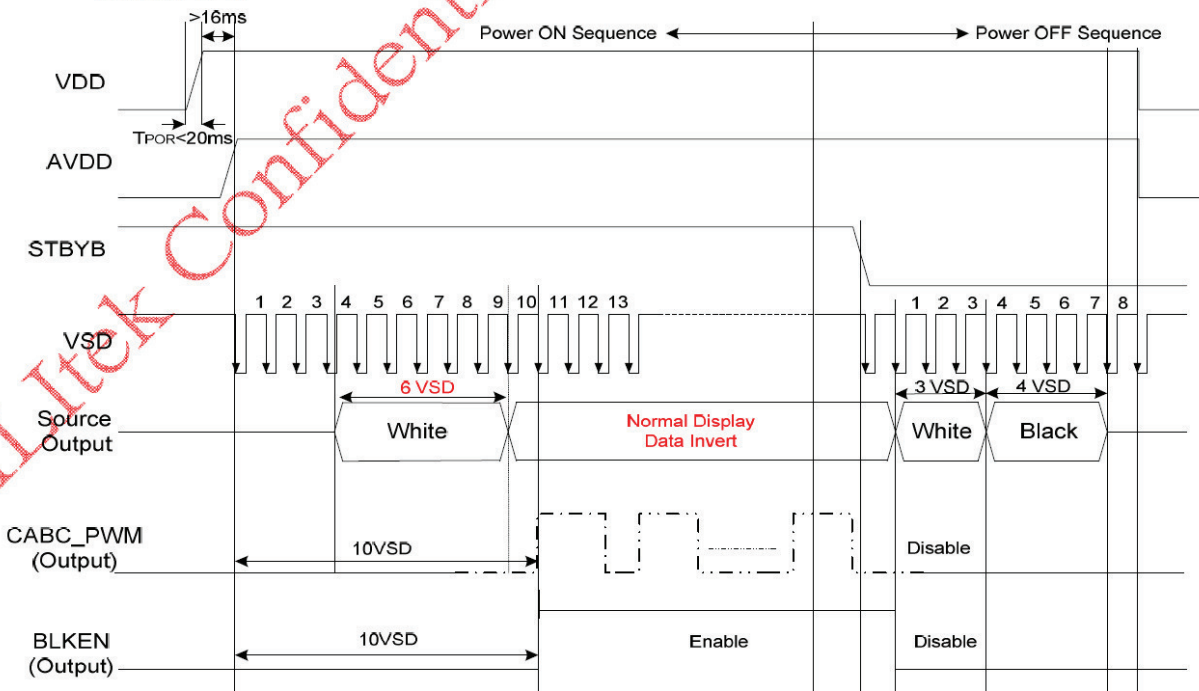


6*3=18PCS

5.4 Power On/Off sequence



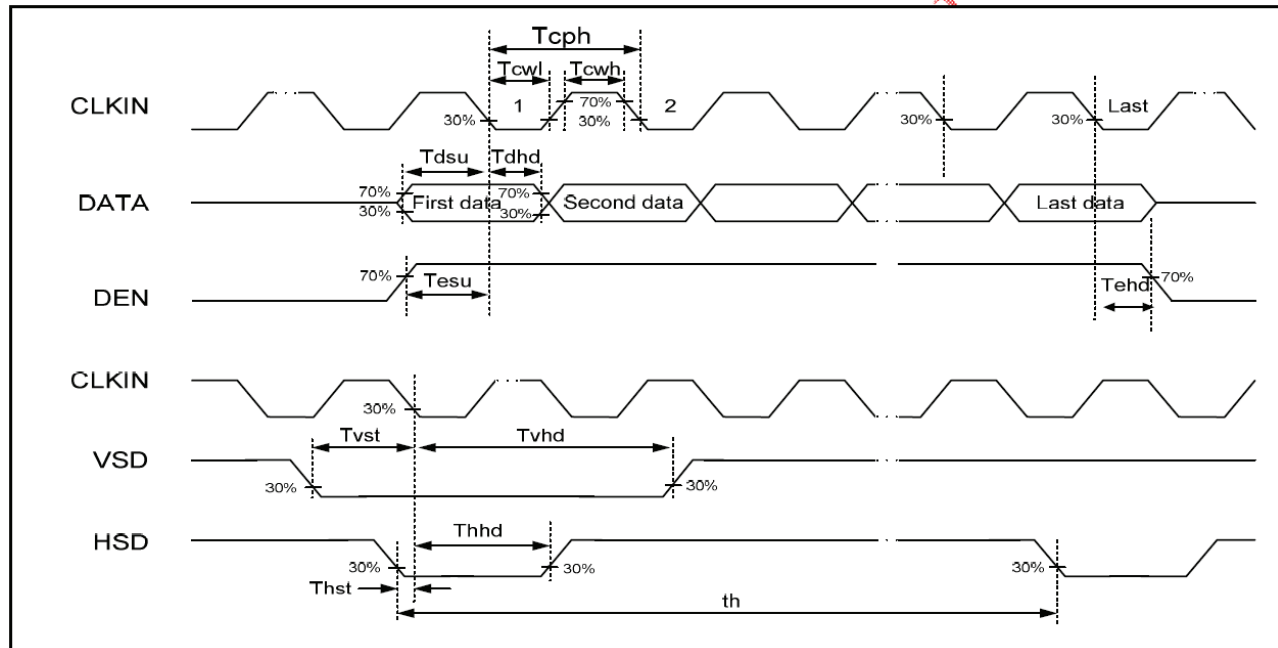
Case2: REV = H



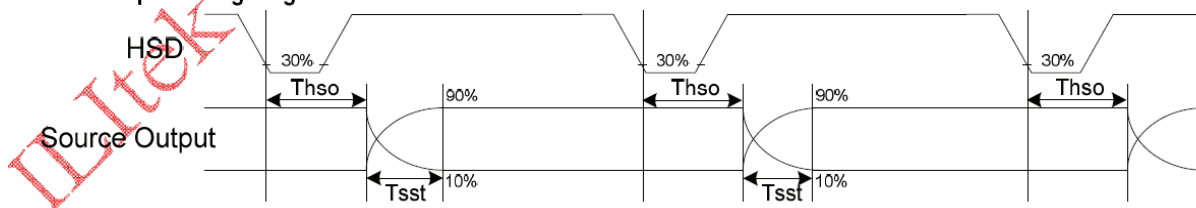
6.INPUT SIGNAL TIMING

6.1 AC Electrical Characteristics

Parameter	Symbol	Min.	Typ.	Max.	Unit	Conditions
VDD Power On Slew rate	TPOR	-	-	20	ms	From 0V to 90% VDD
RSTB pulse width	Trst	10	-	-	us	CLKIN = 45MHz
STBYB pulse width	Tstbyb	8	-	-	VS	
CLKIN cycle time	Tcph	20			ns	
CLKIN pulse duty	Tcwh	40	50	60	%	
VSD setup time	Tvst	8	-	-	ns	
VSD hold time	Tvhd	8	-	-	ns	
HSD setup time	Thst	8	-	-	ns	
HSD hold time	Thhd	8	-	-	ns	
Data set-up time	Tdsu	8	-	-	ns	D0R[7:0], D1G[7:0], D2B[7:0] to CLKIN
Data hold time	Tdhd	8	-	-	ns	D0R[7:0], D1G[7:0], D2B[7:0] to CLKIN
DE setup time	Tesu	8	-	-	ns	
DE hold time	Tehd	8	-	-	ns	
Output stable time	Tsst	-	-	6	us	10% to 90% target voltage. CL=120pF, R=10K ohm



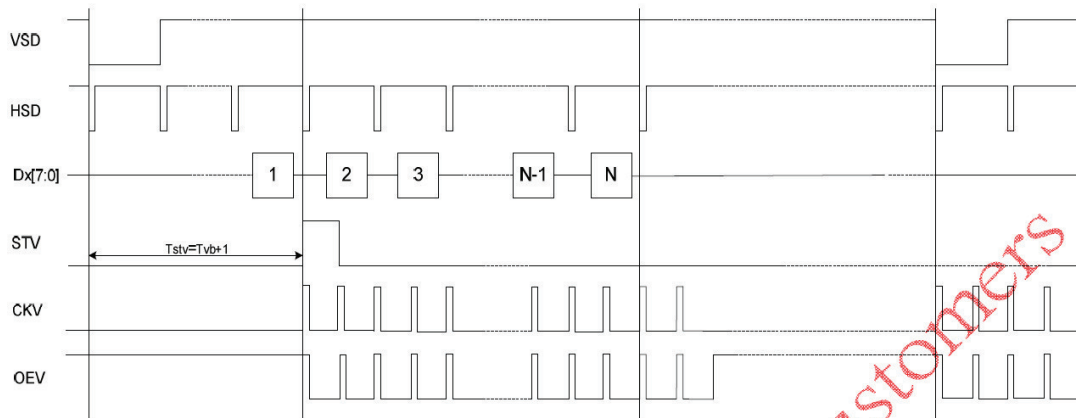
Source output timing diagram



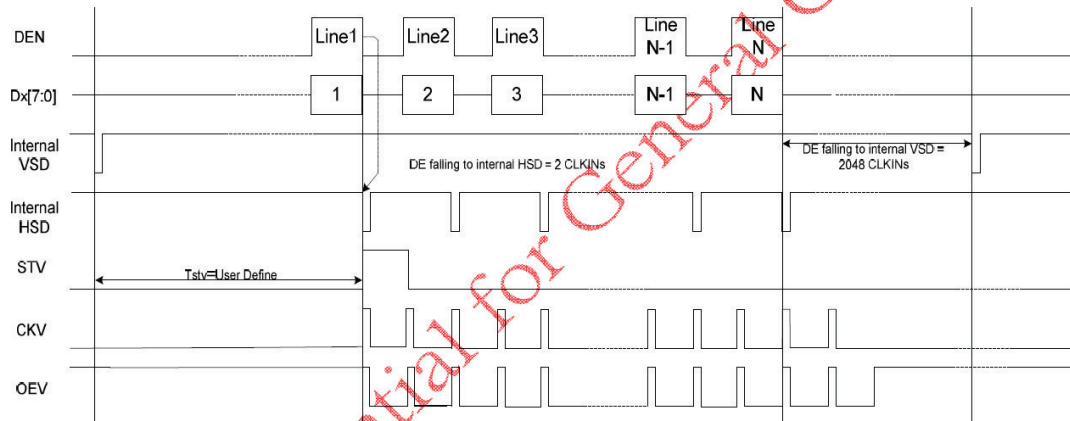
6.2 Data Transaction Timing in Parallel RGB (24 bit) Interface

Parameter	Symbol	Min.	Typ.	Max.	Unit	Conditions
CLKIN Frequency	Fclk	-	33	50	MHz	VDD = 2.7V ~3.6V
CLKIN Cycle Time	Tclk	20	30	-	ns	
CLKIN Pulse Duty	Tcwh	40	50	60	%	Tclk
Time from HSD to Source Output	Thso	-	37	-	CLKIN	
Time from HSD to LD	Thld	-	20	-	CLKIN	
Time from HSD to STV	Thstv	-	2	-	CLKIN	
Time from HSD to CKV	Thckv	-	20	-	CLKIN	
Time from HSD to OEV	Thoev	-	4	-	CLKIN	
LD Pulse Width	Twld	-	16	-	CLKIN	
CKV Pulse Width	Twckv	-	66	-	CLKIN	
OEV Pulse Width	Twoev	-	74	-	CLKIN	

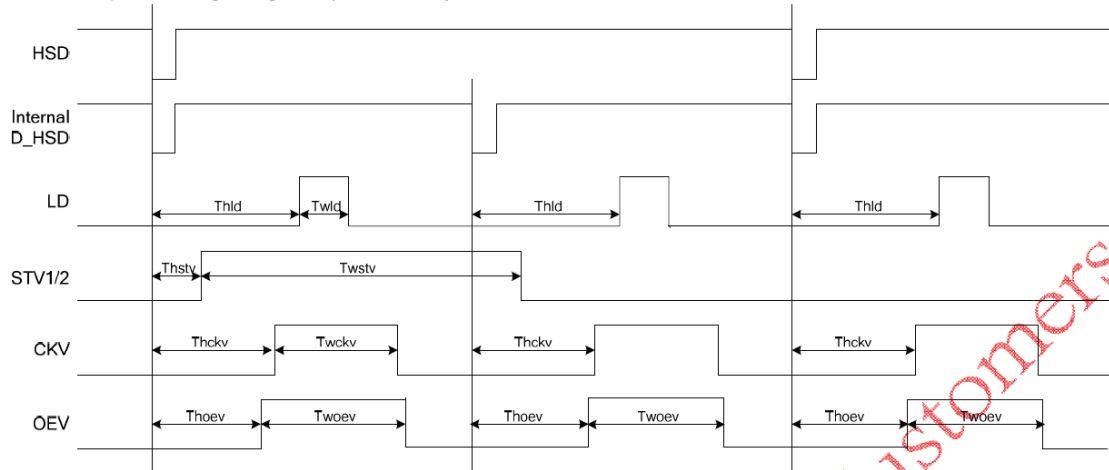
Vertical Timing Diagram of HV Mode (Dual Gate)



Vertical Timing Diagram of DE Mode (Dual Gate)



Gate Output Timing Diagram (Dual Gate)



6.3 Controller Information

IC: ILI5960/ ILI6128B

Please download IC specification at <http://www.orientdisplay.com/pdf/ILI5960.pdf>
<http://www.orientdisplay.com/pdf/ILI6128B.pdf>

7. OPTICAL CHARACTERISTICS

Parameter		Symbol	Condition	Min.	Typ.	Max.	Unit	Remark
Viewing Angle range	Horizontal	Θ_3	CR > 10	70	75	-	Deg.	WV-Pol Note 1
		Θ_9		70	75	-	Deg.	
	Vertical	Θ_{12}		65	70	-	Deg.	
		Θ_6		70	75	-	Deg.	
Luminance Contrast ratio		CR	$\Theta = 0^\circ$	400	500	-		Note 2
Cell Transmittance		Tr		-	6.03	-	%	Base on C Light Note 3
White Chromaticity		X_w		0.294	0.304	0.314		Note 4 CF Glass
		Y_w		0.329	0.339	0.349		
Reproduction of color (C light)	Red	R_x		0.586	0.601	0.616		
		R_y		0.309	0.324	0.339		
	Green	G_x		0.291	0.301	0.311		
		G_y		0.552	0.567	0.582		
	Blue	B_x		0.133	0.143	0.153		
		B_y		0.159	0.174	0.189		
Color Gamut (C light)			-	50	-	%		
Response Time (Rising + Falling)		T_{RT}	Ta= 25° C $\Theta = 0^\circ$	-	25	-	ms	

Note :

1. Viewing angle is the angle at which the contrast ratio is greater than 10. The viewing angles are determined for the horizontal or 3, 9 o'clock direction and the vertical or 6, 12 o'clock direction with respect to the optical axis which is normal to the LCD surface (see FIGURE 1).
2. Contrast measurements shall be made at viewing angle of $\Theta = 0$ and at the center of the LCD surface. Luminance shall be measured with all pixels in the view field set first to white, then to the dark (black) state . (see FIGURE 1) Luminance Contrast Ratio (CR) is defined mathematically.

$$CR = \frac{\text{Luminance when displaying a white raster}}{\text{Luminance when displaying a black raster}}$$

3. Transmittance is the Value with Polarizer
4. The color chromaticity coordinates specified in Table 5 shall be calculated from the spectral data measured with all pixels first in red, green, blue and white. Measurements shall be made at the center of the panel.
5. The electro-optical response time measurements shall be made as FIGURE 3 by switching the "data" input signal ON and OFF. The times needed for the luminance to change from 10% to 90% is T_r , and 90% to 10% is T_d .

Figure 2. The Definition of V_{th} & V_{sat}

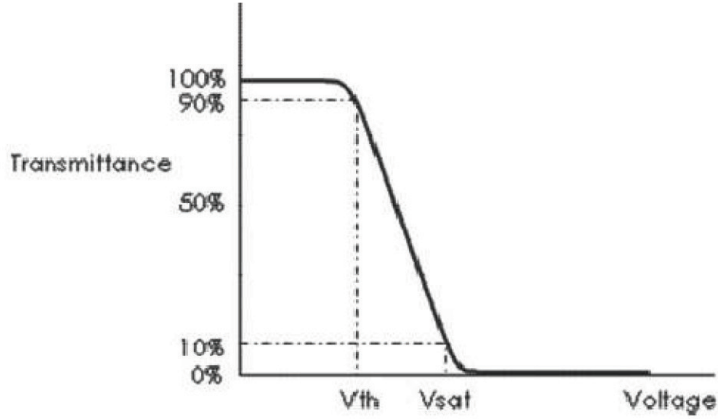


Figure 3. Measurement Set Up

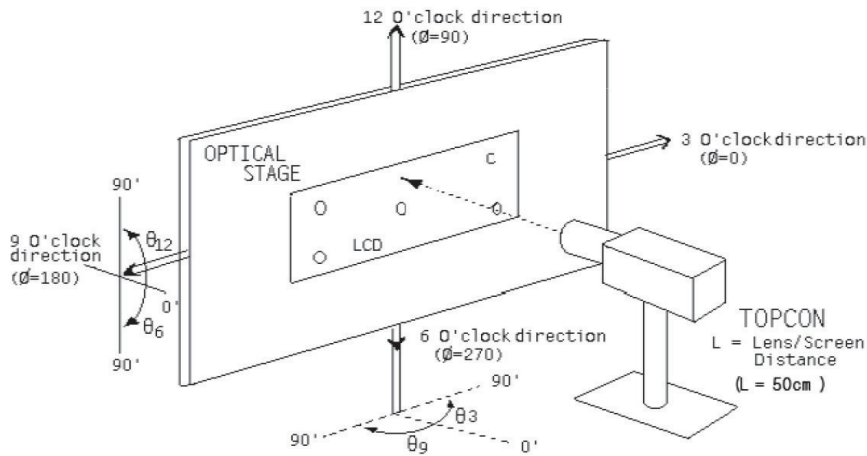
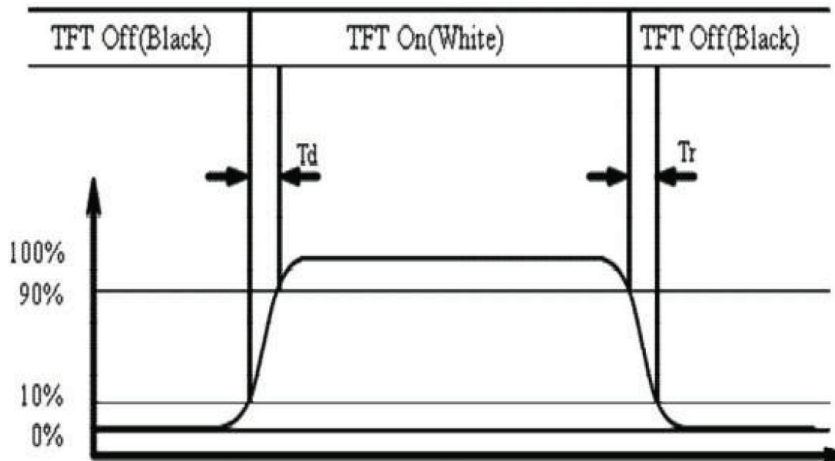


Figure 4. Response Time Testing





Doc.No.: AFY800480A0-7.0N6NTN-C

REV : A0

PAGE : 18/19

EFFECTIVE DATE : 2014-07-20

8. Reliability

Please download details at <http://www.orientdisplay.com/Reliability.html>

9. Specification of Quality Assurance

Please download details at <http://www.orientdisplay.com/Delivery-TFT.html>

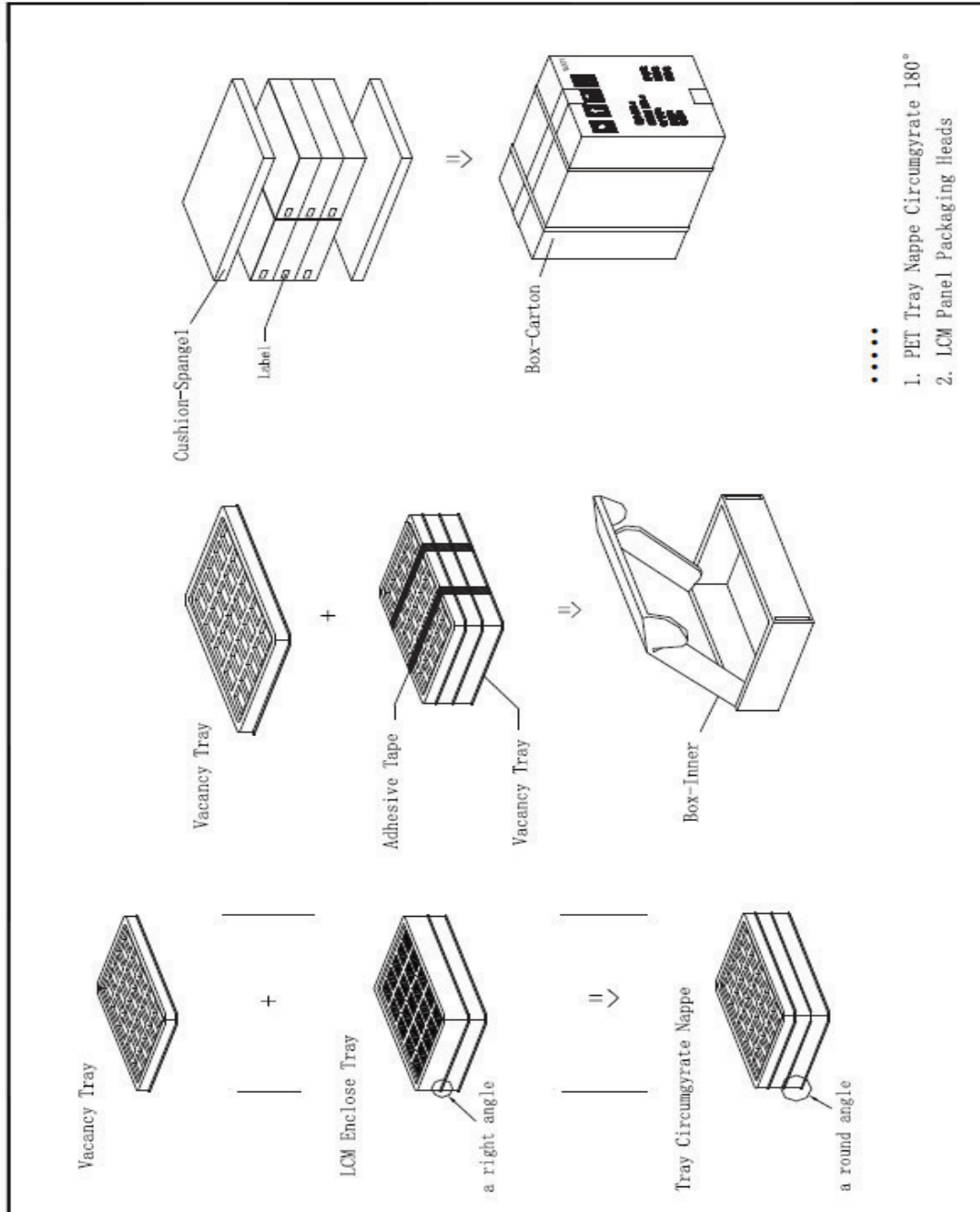
10. General Precautions

Please download details at <http://www.orientdisplay.com/General-Precautions.html>

11. Limited Warranty

Please download details at <http://www.orientdisplay.com/Warranty.html>

12. Package



Orient Display Corporation reserves the right to change this specification.