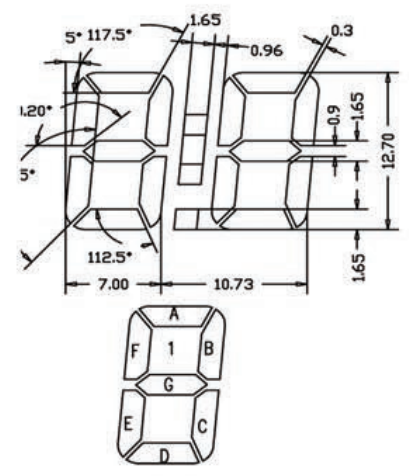


↑
VIEWING DIRECTION



PIN	1	2	3	4	5	6	7	8	9	10	11	12	13	14	15	16	17	18	19	20
COM1	COM1	/	/	/	1E	1D	1C	P1	2E	2D	2C	P2	3E	3D	3C	P3	4E	4D	4C	4B
PIN	21	22	23	24	25	26	27	28	29	30	31	32	33	34	35	36	37	38	39	40
COM1	4A	4F	4G	3B	3A	3F	3G	COL	2B	2A	2F	2G	/	1B	1A	1F	1G	/	/	COM1

NOTES:

- | | |
|---|--|
| 1. DISPLAY TYPE: TN | 5. OPERATING VOLTAGE: 3.3 V |
| 2. VIEWING DIRECTION: 6:00 | 6. OPERATING TEMP: $-20^\circ\text{C} \sim 70^\circ\text{C}$ |
| 3. POLARIZER MODE: POSITIVE/TRANSFLECTIVE | 7. STORAGE TEMP: $-30^\circ\text{C} \sim 80^\circ\text{C}$ |
| 4. DRIVER METHOD: STATIC | 8. CONNECTOR: PIN |