



ORIENT DISPLAY

Your Total LCD Solution Provider

Specification for LED Backlight

JAZZ-AE-S

Revision A



JAZZ	LED Backlight
AE	Serial AE, Dimension 71.20 X 48.50 X 5.20 mm
S	Red-Green-Blue (RGB)
/	RoHS Compliant
/	Pair with Glass Panel JAZZ-AC
/	Pair with Touch Panel JAZZ-AT



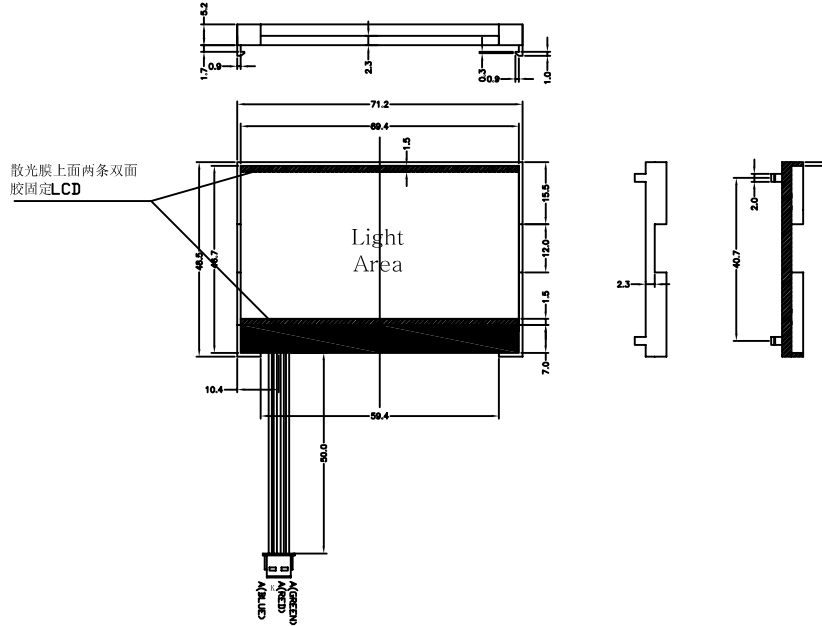
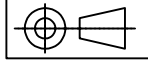


1. 结构尺寸 MECHANICAL OUTLINE

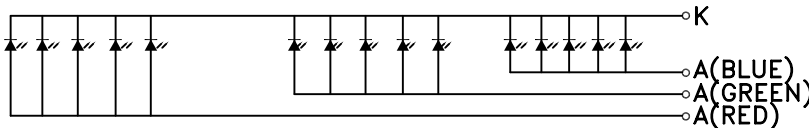
(未注尺寸公差 Unspecified Tolerances is ± 0.2)

COLOR : BLUE.GREEN.RED

颜色 : 七彩



2. 电路图 CIRCUIT DIAGRAM (LED 3X5=15 dies)



3. 保存和焊接条件 STORAGE & SOLDERING CONDITIONS:

- Store with care. Storing the units in bad condition will cause the reflector sheet and decrease its adhesive power. Storage The products under the condition: temperature ($25^{\circ}\text{C} \pm 10^{\circ}\text{C}$) and humidity ($65\% \text{RH} \pm 20\% \text{RH}$) our recommendation.
- The Soldering Temperature is $300 \pm 5^{\circ}\text{C}$ and Soldering Time should be less than 3 sec, and soldering iron power should be less than 30W.
- The soldering point should be farther than 1.6mm ($1/10''$) from body .
- The product is sensitive to static electricity, So it's necessary to take proper steps when storing and soldering.
- 注意保存, 保存条件不好时, 会降低反光膜(扩散膜)导光片(反射壳)的精附力。
推荐保存条件: 温度 $25^{\circ}\text{C} \pm 10^{\circ}\text{C}$
湿度 $65\% \text{RH} \pm 20\% \text{RH}$
- 焊接温度 $300^{\circ}\text{C} \pm 5^{\circ}\text{C}$, 焊接时间小于3秒
烙铁功率小于 30W.
- 焊接点应离焊接实体大于1.6mm.
- 产品对静电敏感, 保存及焊接时必须有防静电措施.

					DESIGN: 设计 ZCK
					CHECKED: 检查
ISSUE	AMENDMENT	DATE			COUNTERSIGN: 会签
DRAWING NO.: JAZZ-AE-S		REV: A0	SHEET: 1 OF 2	DATE: 2009.7.30	APPROVED: 批准



4. 极限参数 ABSOLUTE MAXIMUM RATINGS (SINGLE LED)

(除非特别说明, 环境温度Ta=25°C. Unless specified, The Ambient temperature Ta=25°C)

项目 Item	符号 Symbol	条件 Conditions	值 Rating	单位 Unit
* 极限直流正向电流 Absolute maximum forward current	Ifm		25	mA
* 脉冲驱动时极限正向电流 Peak forward current	Ifp	1 msec 脉冲, 1/10 占空比 1 msec Plus 10% Duty Cycle	60	mA
反向电压 Reverse Voltage	Vr		5	V
* 极限功耗 Power dissipation	Pd		50	mW
工作温度 Operating Temperature Range	Topr		-30~+70°C	°C
贮存温度 Storage Temperature Range	Tstg		-40~+80°C	°C

* 当工作温度高于 25°C 时, Ifm, Ifp 和 Pd 必须降低; 电流降低率是 -0.36 mA/°C (直流驱动), 或 -0.86 mA/°C (脉冲驱动), 功率降低率是 -0.75 mW/°C. 产品工作电流不能大于对应的工作条件温度 Ifm 或 Ifp 的 60 %.

For operation above 25°C, The Ifm Ifp & Pd must be derated, the Current derating is -0.36 mA/°C for DC drive and -0.86 mA/°C for Pulse drive, the Power dissipation is -0.75 mW/°C. The product working current must not more than the 60 % of the Ifm or Ifp according to the working temperature.

5. 电光特性 ELECTRICAL-OPTICAL CHARACTERISTICS

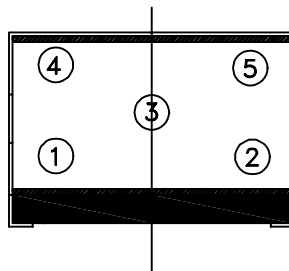
(除非特别说明, 环境温度Ta=25°C. Unless specified, The Ambient temperature Ta=25°C)

项目 Item	符号 Symbol	典型值 typ.(red)	典型值 typ.(green)	典型值 typ.(blue)	单位 Unit	测定条件 Condition
正向电压 Forward Voltage	Vf	1.9-2.1	2.8-3.2	2.7-3.1	V	If(R)=10X5=50 mA If(G,B)= 15X5=75 mA
反向电流 Reverse Current	Ir	10			μA	Vr= 5 V
峰值波长 Peak wave length	λp	620-625	520-525	465-470	nm	If(R)=10X5=50 mA If(G,B)= 15X5=75 mA
频谱半宽度 Spectral Line Half width	Δλ	35	20	20	nm	If(R)=10X5=50 mA If(G,B)= 15X5=75 mA
* 亮度 Luminance	Lv	100-120	300-350	70-80	cd/m²	If(R)=10X5=50 mA If(G,B)= 15X5=75 mA

* 亮度值是5个测量点的平均值, 亮度最大值比最小值一般小于等于1.3. 使用 ST-86LA 亮度计测量, 测量光圈 φ 5 mm.

The luminance is the average value of 5 points, and, The Lvmax./Lvmin. is 1.3 max.

The measurement instrument is ST-86LA luminance Colorimeter. The caperture is φ 5 mm.



DESIGN: 设计	ZCK
CHECKED: 检查	
COUNTERSIGN: 会签	
APPROVED: 批准	