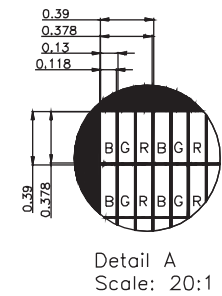
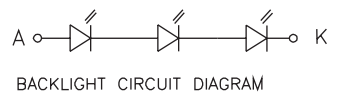
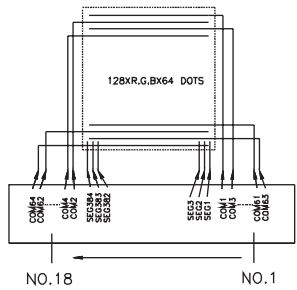
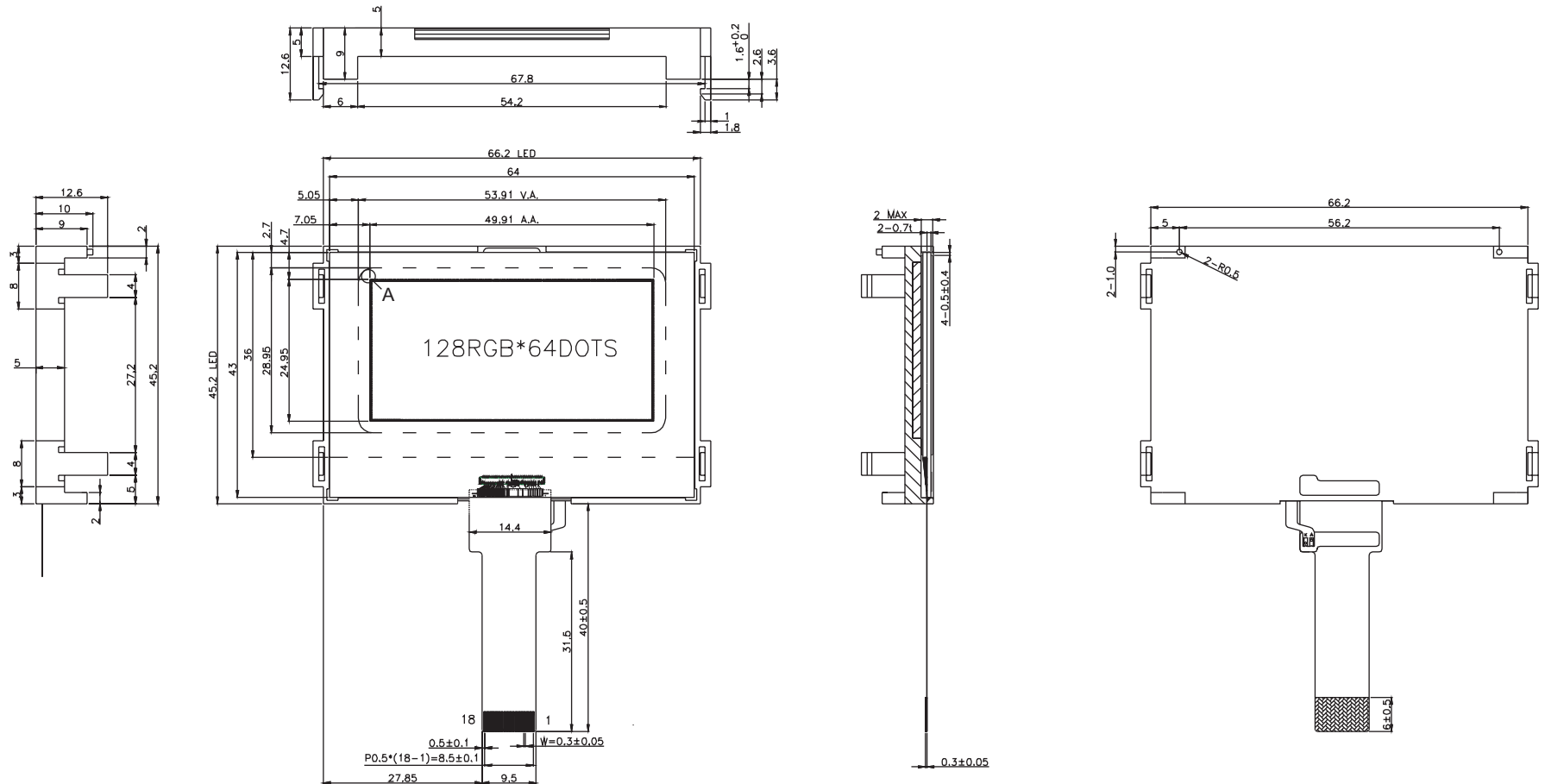


AN12864A-22

Unmarked tolerance ± 0.3



Pin No	Symbol	Pin No	Symbol	Pin No	Symbol
1	VDD	7	/RST	13	DB3
2	VSS	8	WR	14	DB4
3	LED-	9	RD	15	DB5
4	LED+	10	DB0	16	DB6
5	/CS	11	DB1	17	DB7
6	RS	12	DB2	18	MTP+