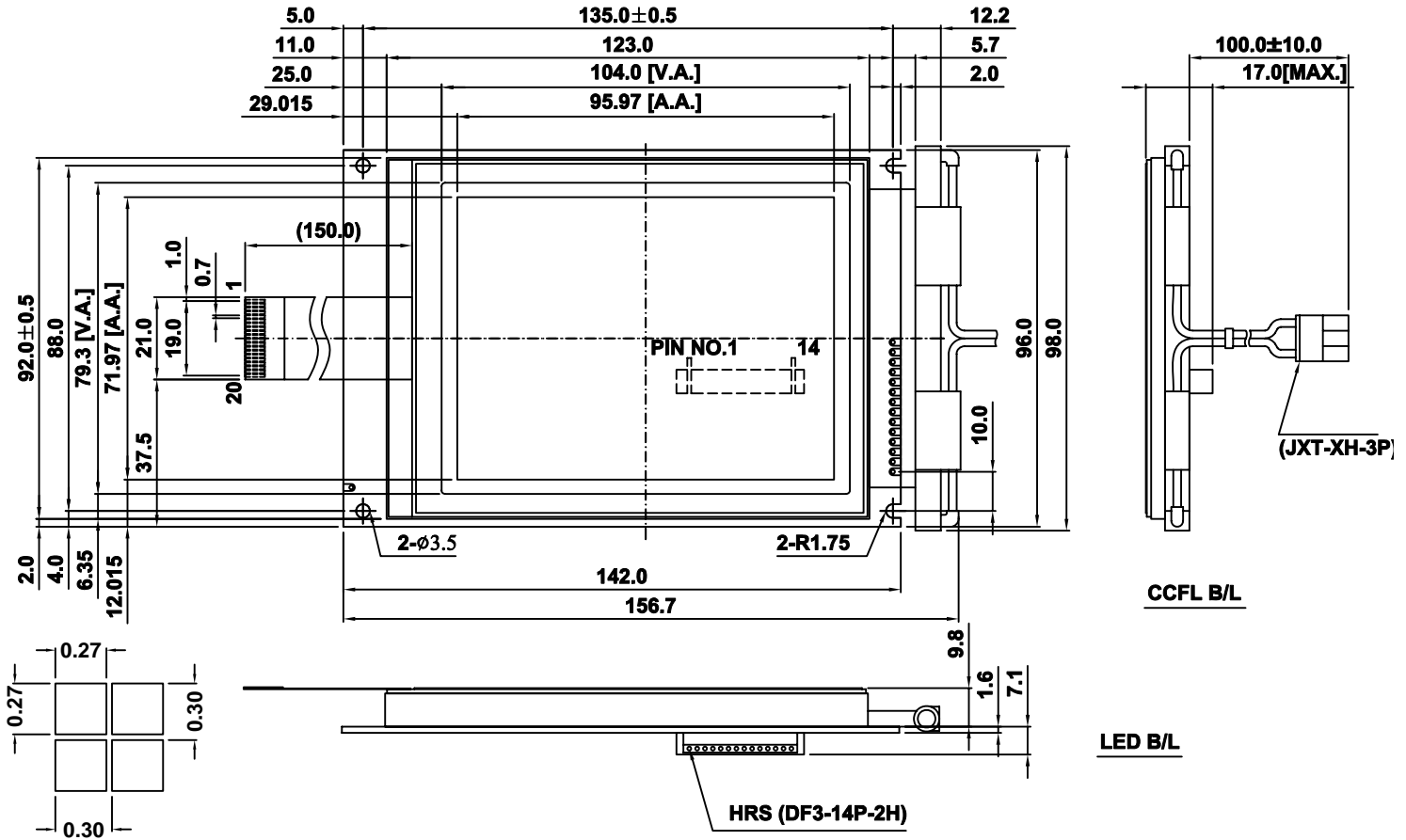


# AMG320240D



## CONTOUR DRAWING & BLOCK DIAGRAM



MECHANICAL SPECIFICATION		
ITEM	SPECIFICATION	UNIT
Module Size	156.7X98.0X17.0	mm
Viewing Area	104.0X79.3	mm
Number of dots	320X240	dots
Dot Pitch	0.30X0.30	mm
Dot Size	0.27X0.27	mm

ABSOLUTE MAXIMUM RATINGS					
PARAMETER	SYMBOL	MIN.	MAX.	UNIT	
Supply Voltage	Vdd	-0.3	7.0	V	
LCD Supply Voltage	Vlcd(Vdd-V0)	0	30	V	
Input Voltage	Vin	-0.3	Vdd+0.3	V	
Operating Temperature*	Top	0/-20	50/70	° C	
Storage Temperature*	Tstr	-10/-30	60/80	° C	

PIN CONNECTIONS		
PIN	SYMBOL	DESCRIPTION
1	FRMAE	First line marker
2	DF	Frame reverse signal
3	LP	Data latch
4	CP	Data shift
5	/DISPOFF	H:ON L:OFF
6-9	DB0-DB3	Data bus
10	Vdd	Power supply for LOGIC
11	Vss	GND
12	Vee	Power supply for LCD
13	V0	Operating voltage LCD driving
14	FGND	Frame ground

ELECTRICAL CHARACTERISTICS(Ta=25° C)						
ITEM	SYMBOL	CONDITION	MIN.	TYP.	MAX.	UNIT
Supply Voltage(logic)	Vdd	-	4.5	5.0	5.5	V
Supply Current(logic)	Idd	Vdd=5.0	-	10.8	12.0	mA
Driving Voltage(LCD)	Vlcd	-	-	21.6	-	V
Driving Current(LCD)	Ilcd	-	-	-	-	mA

BACKLIGHT CHARACTERISTICS (Ta=25° C)						
PARAMETER	SYMBOL	CONDITION	MIN.	TYP.	MAX.	UNIT
CCFL Starting Voltage	Vfls		-	600	-	Vrms
CCFL Driving Voltage	Vfld		-	268	-	Vrms
CCFL Driving Current	Ifld	Vfq=450Vrms 30KHz	-	5.0	-	mA

\*T1/T2: T1for standard temperature LCM, T2 for wide temperature LCM