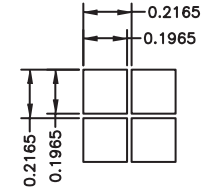
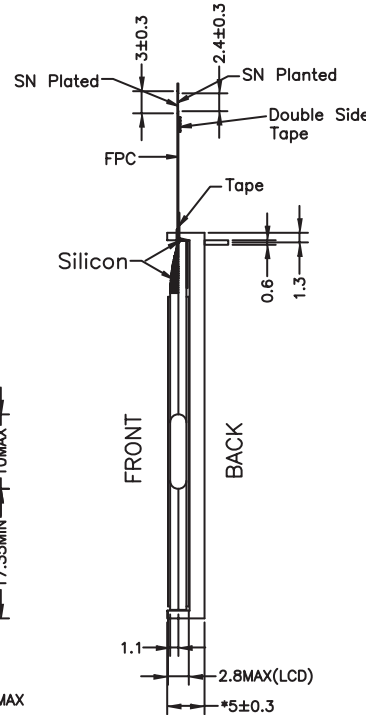
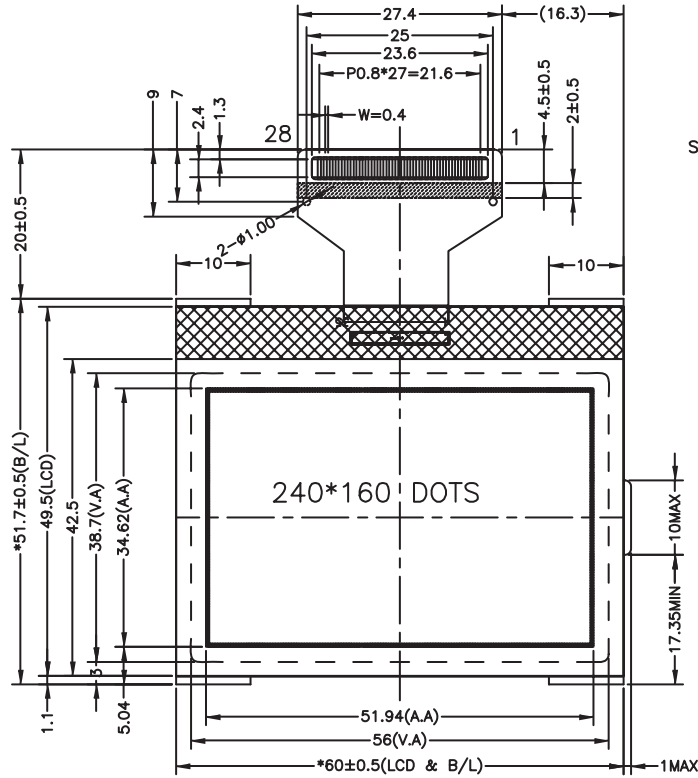
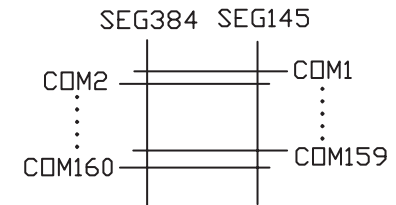


# AMG240160P-G

Unmarked tolerance ±0.3

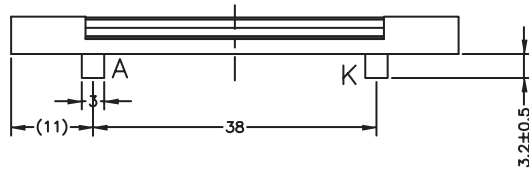


DOTS DETAIL  
SCALE:30/1



COM&SEG layout

Internally connected (list is not covering all pins):  
ID1=VDD(data select D[0:7]), ID0=VDD or VSS  
CS1=VDD



Pin No	Symbol	Pin No	Symbol	Pin No	Symbol	Pin No	Symbol
1	VLCD	8	VDD	15	WR1	22	D4
2	VS+	9	VSS	16	WR0	23	D5
3	VS-	10	TST4	17	RST	24	D6
4	VB0-	11	BM1	18	D0	25	D7
5	VB1-	12	BM0	19	D1	26	D8
6	VB1+	13	CS0	20	D2	27	D13
7	VB0+	14	CD	21	D3	28	D15