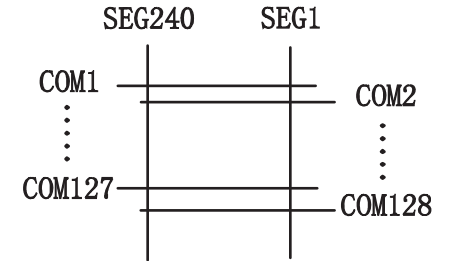
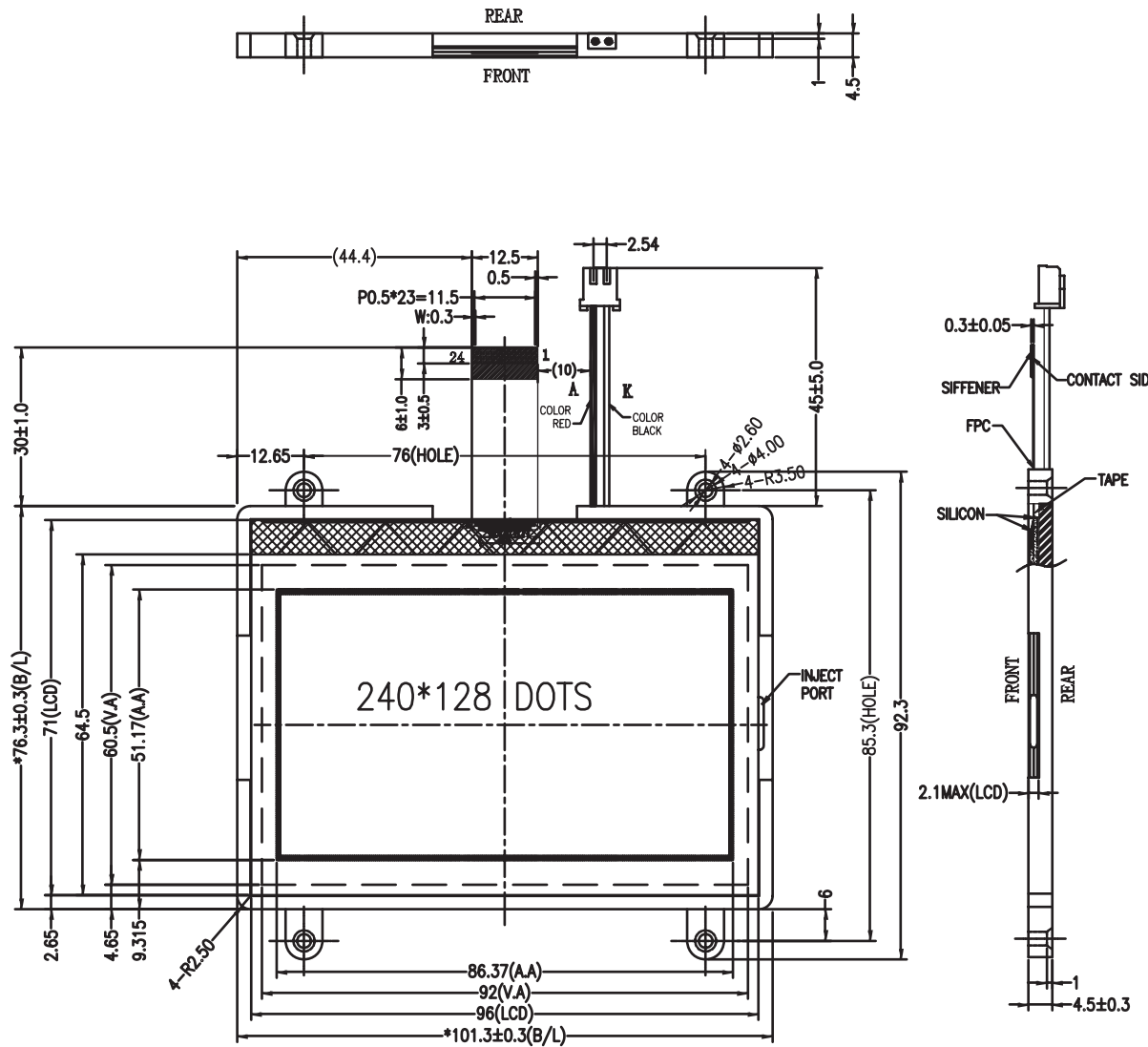
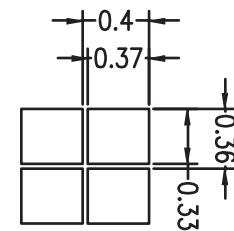


AMG240128P-G

Unmarked tolerance ± 0.3



COM&SEG LAYOUT



DOTS DETAIL
SCALE:20/1

| Pin No | Symbol | Pin No | Symbol | Pin No | Symbol |
|--------|--------|--------|--------|--------|---------|
| 1 | NC | 9 | VDD | 17 | DB0 |
| 2 | VB1- | 10 | DB7 | 18 | RD(WR1) |
| 3 | VB1+ | 11 | DB6 | 19 | WR |
| 4 | VB0- | 12 | DB5 | 20 | CD |
| 5 | VB0+ | 13 | DB4 | 21 | RST |
| 6 | VLCD | 14 | DB3 | 22 | CS |
| 7 | VBIAS | 15 | DB2 | 23 | BM0 |
| 8 | VSS | 16 | DB1 | 24 | BM1 |