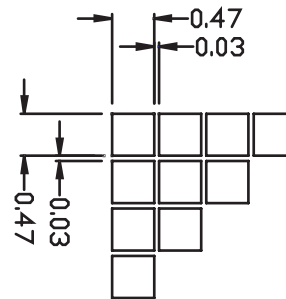
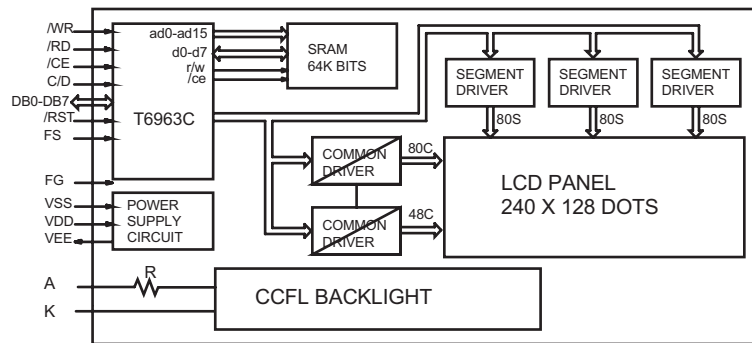
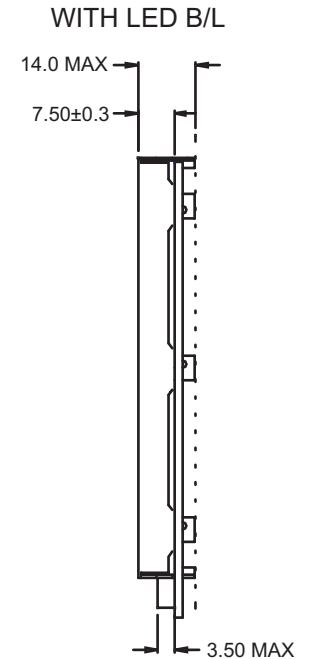
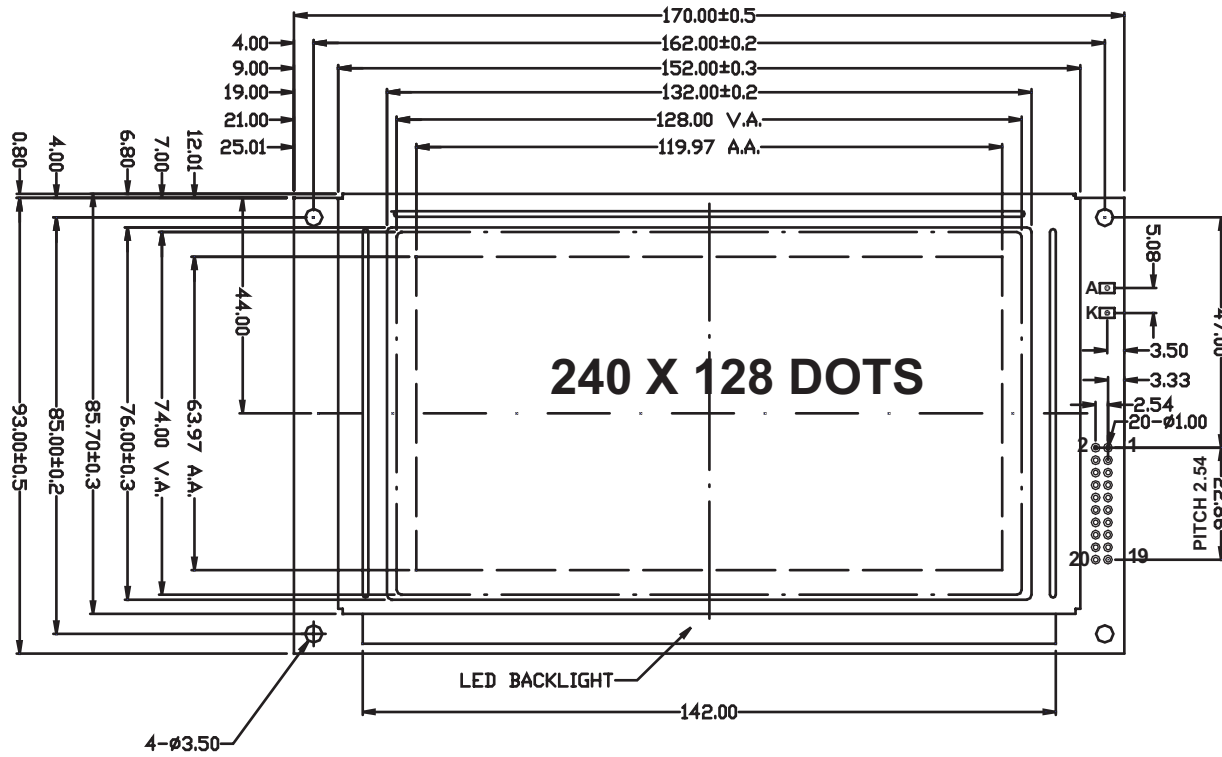


AMG240128E

Unmarked tolerance ± 0.3



Pin No	Symbol	Pin No	Symbol
1	FG	12	DB1
2	VSS	13	DB2
3	VDD	14	DB3
4	VEE	15	DB4
5	/WR	16	DB5
6	/RD	17	DB6
7	/CE	18	DB7
8	NC	19	FS
9	/RST	20	NC
10	DB0		A
11	DB1		K