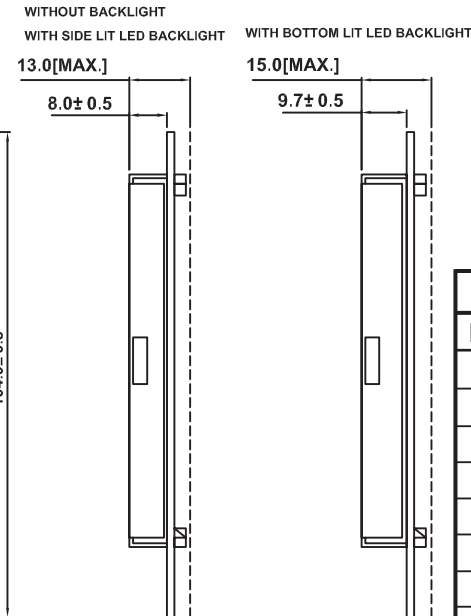
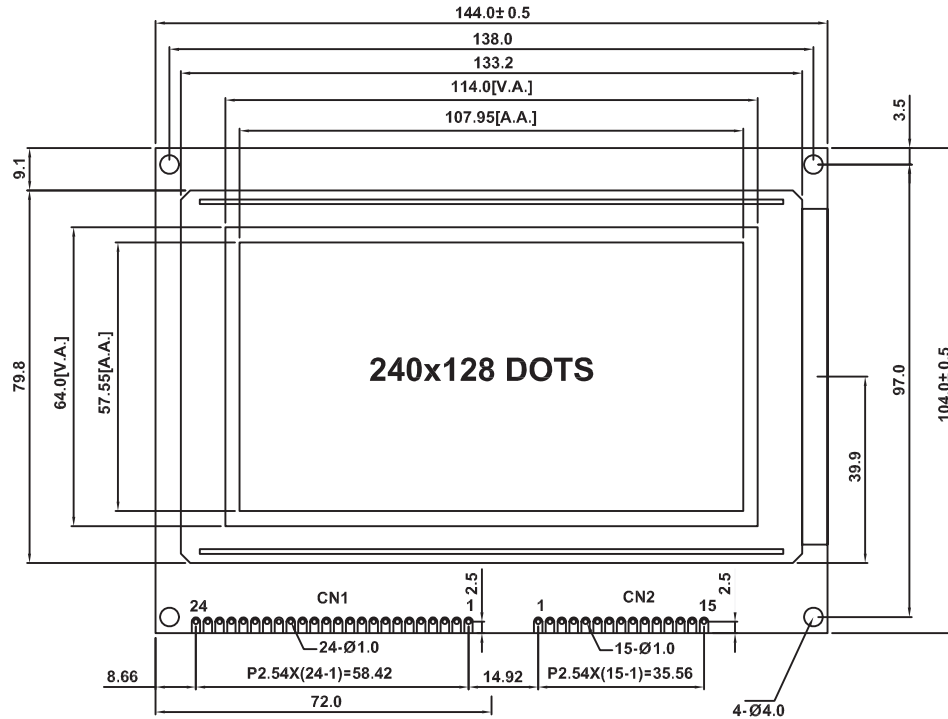


# AMG240128D

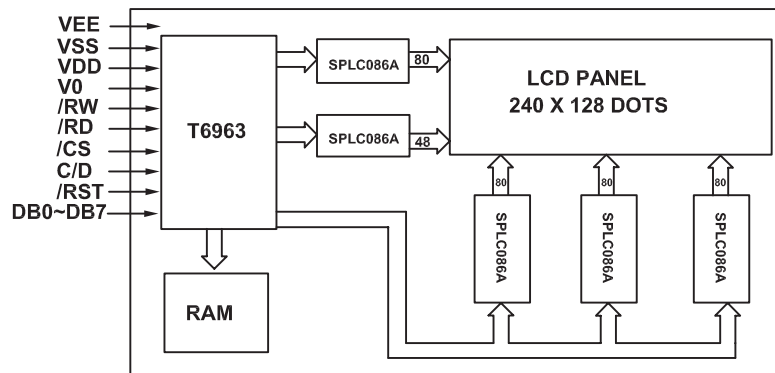
Unmarked tolerance ± 0.3



Pin Connections (CN1)			
Pin No	Symbol	Pin No	Symbol
1	LEDA	13	DB4
2	LEDK	14	DB5
3	VSS	15	DB6
4	VDD	16	DB7
5	V0	17	/CE
6	C/D	18	/RST
7	/RD	19	VEE
8	/WR	20	MD2
9	DB0	21	FS
10	DB1	22	NC
11	DB2	23	LEDA
12	DB3	24	LEDK

Pin Connections (CN2)			
Pin No	Symbol	Pin No	Symbol
1	FRM	9	D1
2	CP	10	D2
3	LP	11	D3
4	M	12	V0
5	VDD	13	/DISPOFF
6	VSS	14	LEDA
7	VEE	15	LEDK
8	D0		



\*\* OR EQUIVALENT

