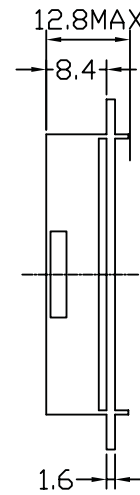
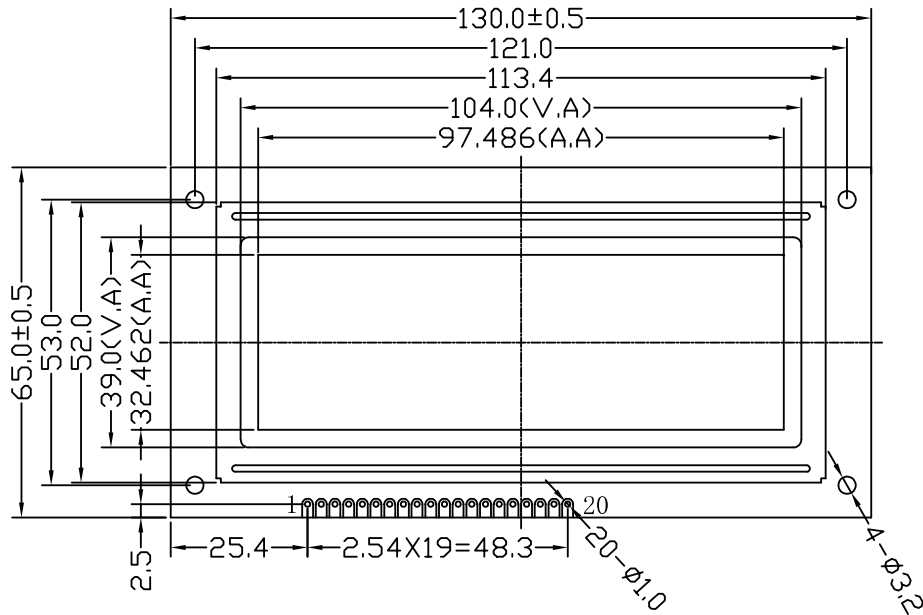
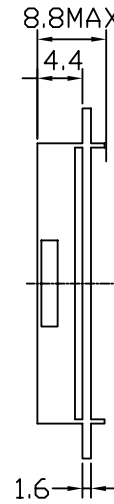


AMG19264B

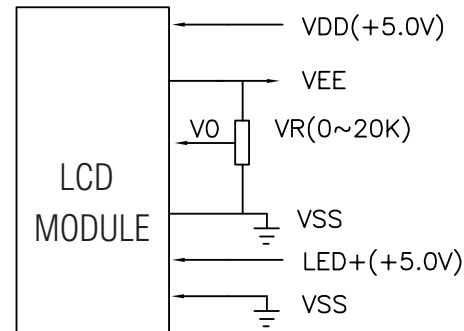
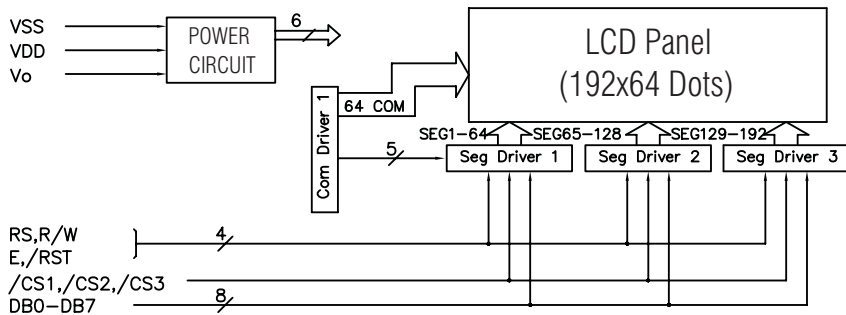
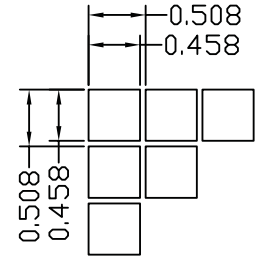
Unmarked tolerance ±0.3



WITH LED B/L



WITH EL B/L
OR WITHOUT B/L



| Pin No | Symbol | Pin No | Symbol |
|--------|--------|--------|--------|
| 1 | LED+ | 11 | DB3 |
| 2 | VEE | 12 | DB2 |
| 3 | /CS3 | 13 | DB1 |
| 4 | /CS2 | 14 | DB0 |
| 5 | /RST | 15 | E |
| 6 | /CS1 | 16 | R/W |
| 7 | DB7 | 17 | RS |
| 8 | DB6 | 18 | V0 |
| 9 | DB5 | 19 | VDD |
| 10 | DB4 | 20 | VSS |