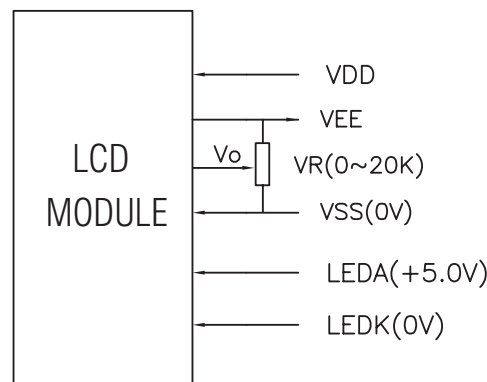
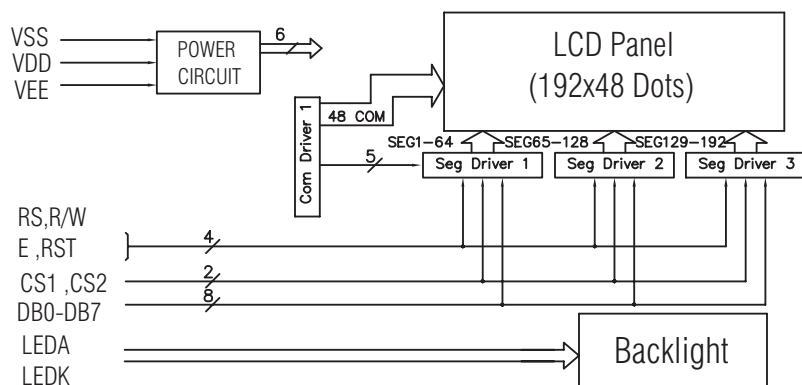
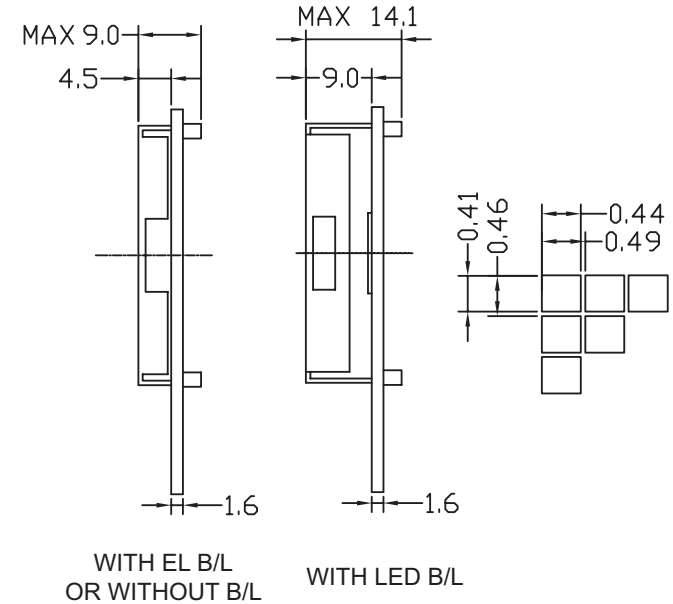
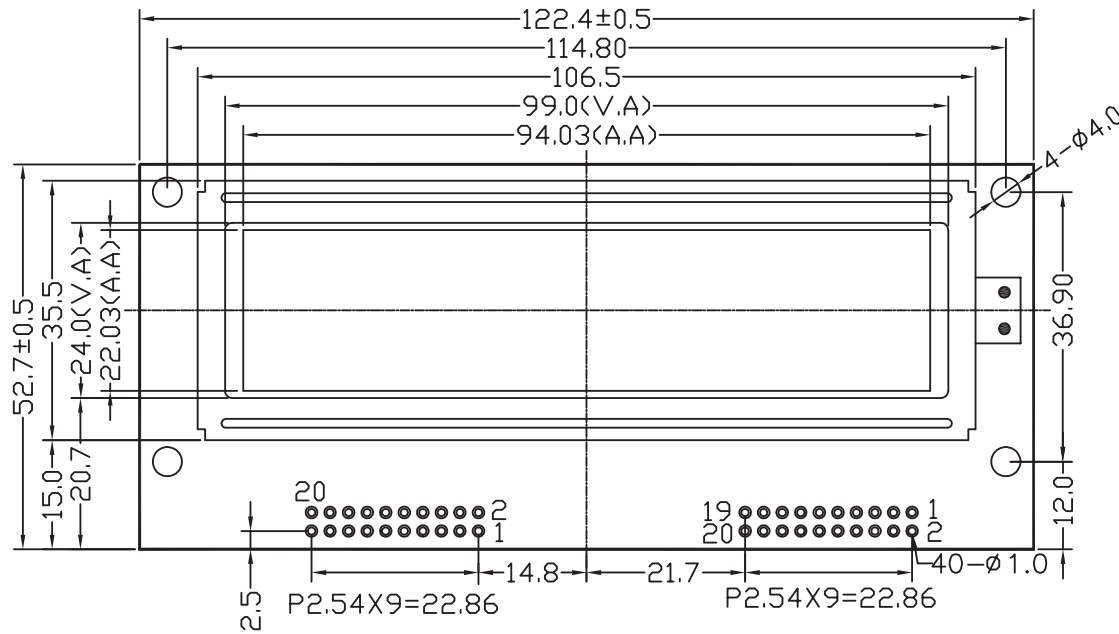


AMG19248A

Unmarked tolerance ±0.3



Pin No	Symbol	Pin No	Symbol
1	VSS	11	DB4
2	VDD	12	DB5
3	VEE	13	DB6
4	RS	14	DB7
5	R/W	15	LEDA
6	E	16	LEDK
7	DB0	17	LED1
8	DB1	18	LED2
9	DB2	19	R/W
10	DB3	20	E