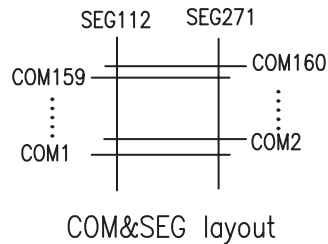
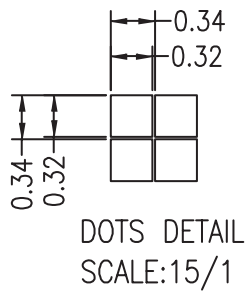
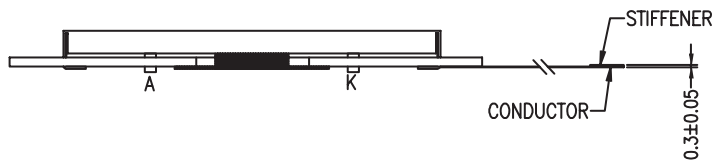
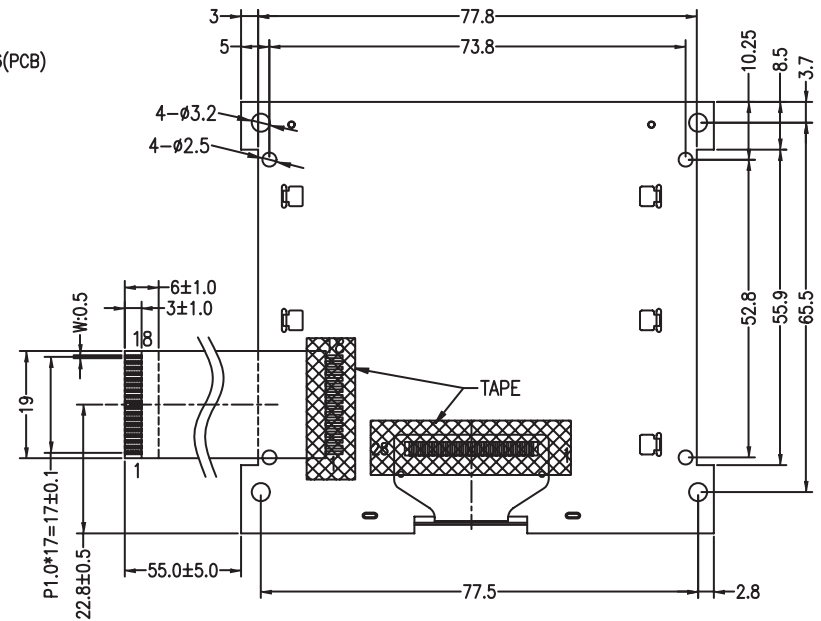
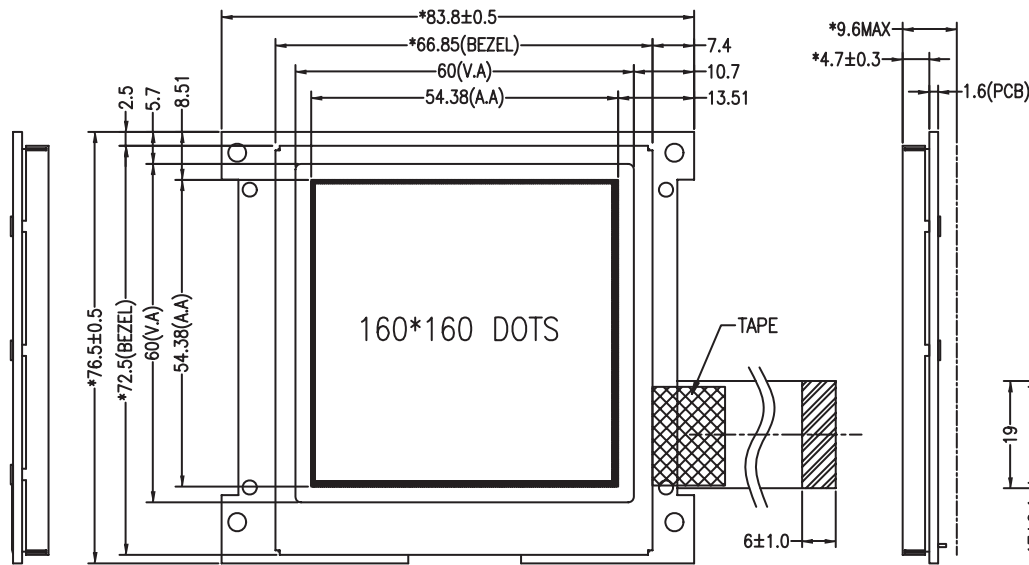


AMG160160Q-G

Unmarked tolerance ± 0.3



Pin No	Symbol	Pin No	Symbol
1	VSS	10	D2
2	A0	11	D3
3	WR	12	D4
4	RD	13	D5
5	XCS	14	D6
6	RESET	15	D7
7	VDD	16	LEDK
8	D0	17	NC
9	D1	18	LEDA