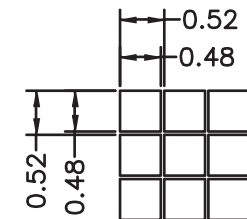
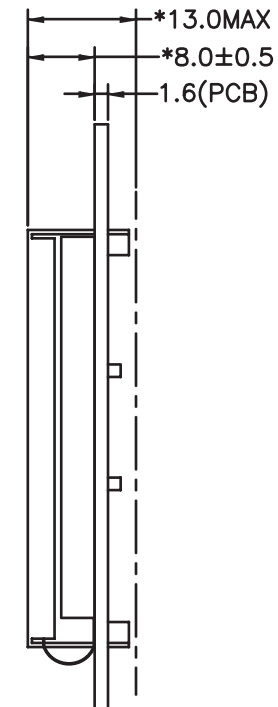
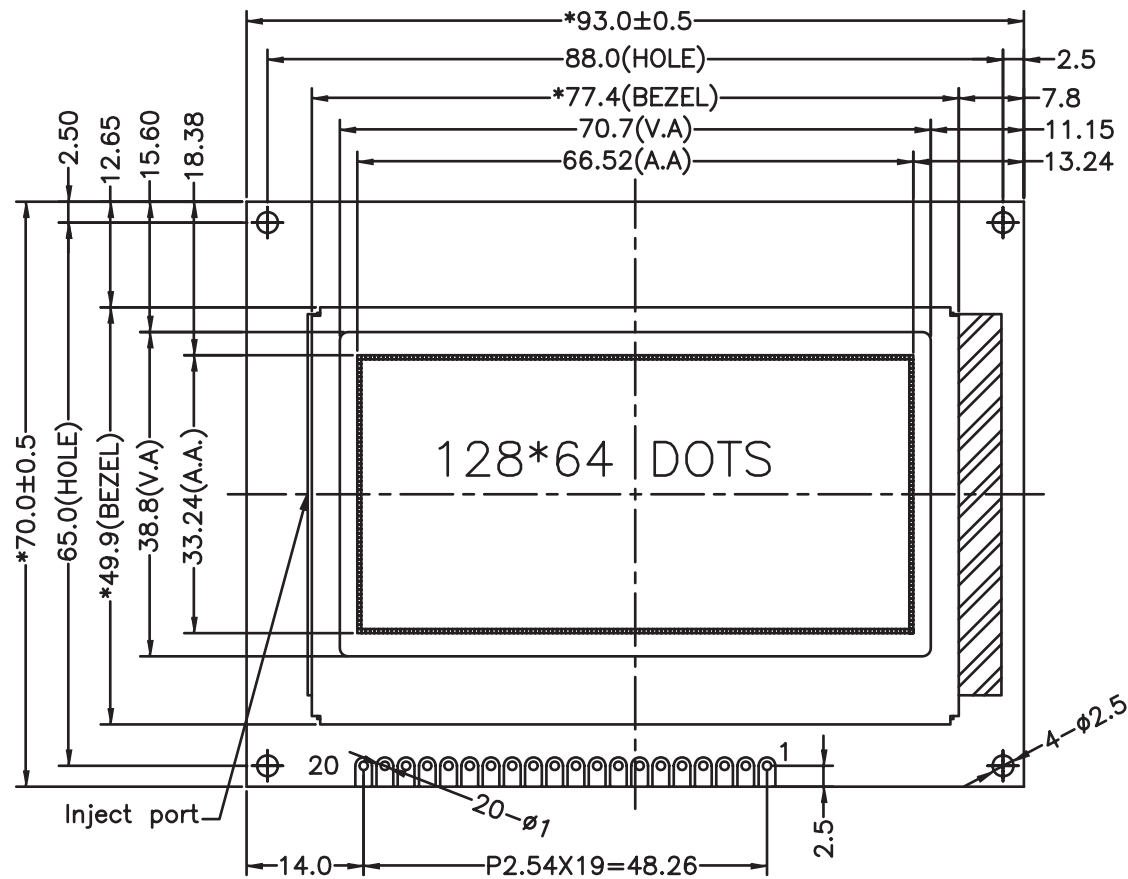
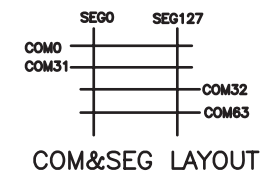


Unmarked tolerance ±0.3



DOTS DETAIL
SCALE:10/1



Pin No	Symbol	Pin No	Symbol	Pin No	Symbol
1	VSS	8	DB1	15	/CS1
2	VDD	9	DB2	16	/CS2
3	V0	10	DB2	17	RST
4	RS	11	DB4	18	VEE
5	R/W	12	DB5	19	LEDA
6	E	13	DB6	20	LEDK
7	DB0	14	DB7		