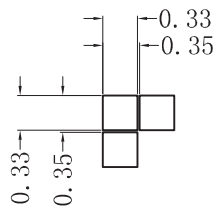
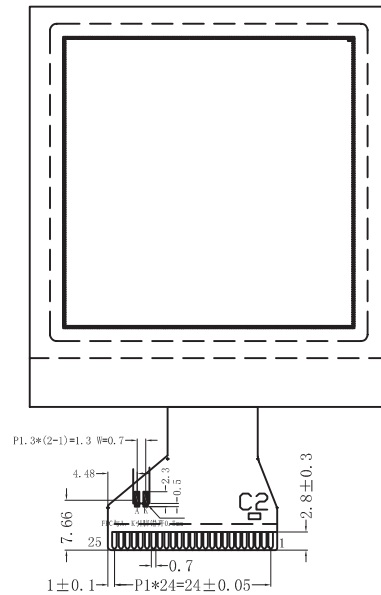
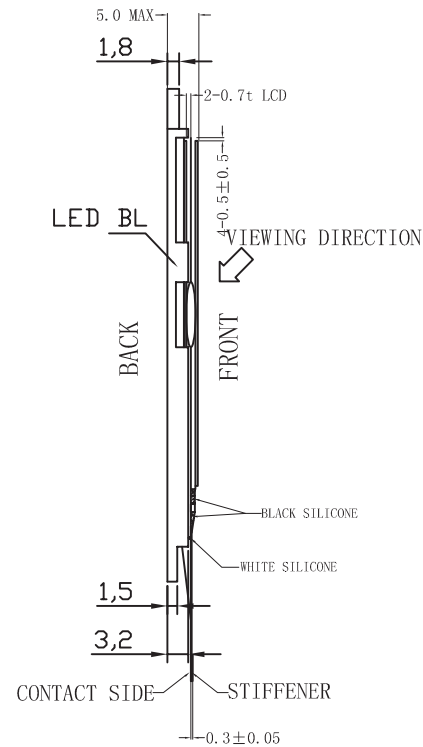
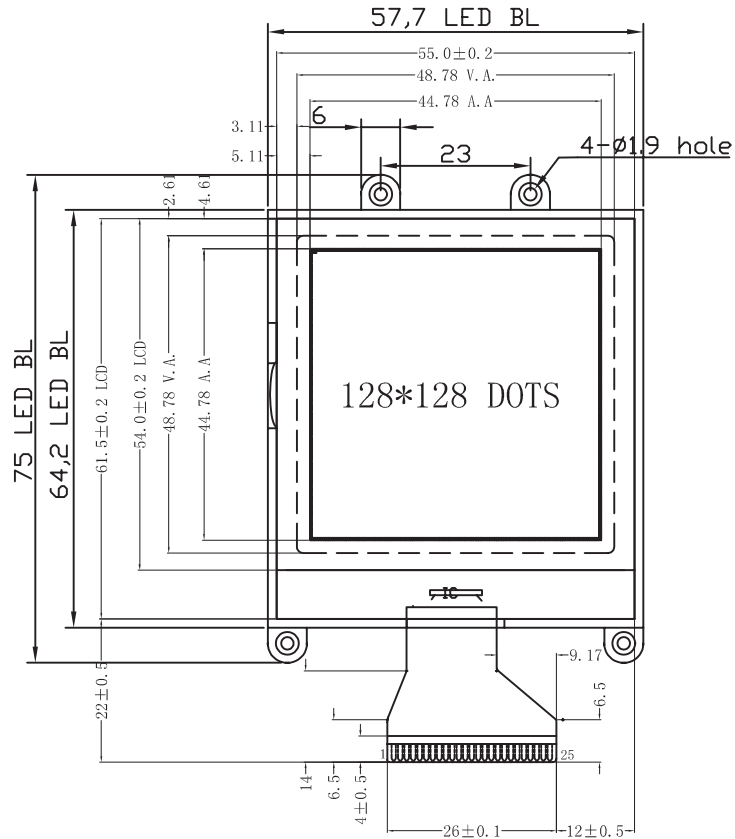


AMG128128P1-G

Unmarked tolerance ± 0.3



DOTS DETAIL 10:1

Pin No	Symbol	Pin No	Symbol	Pin No	Symbol	Pin No	Symbol
1	VG	8	VSS	15	DB2	22	CSB
2	VD1	9	VDD	16	DB1	23	PS1
3	XV0	10	DB7	17	DB0	24	LED-
4	V0	11	DB6	18	E_RD	25	LED+
5	VM0	12	DB5	19	RW_WR	26	
6	NC	13	DB4	20	A0	27	
7	NC	14	DB3	21	/RST	28	