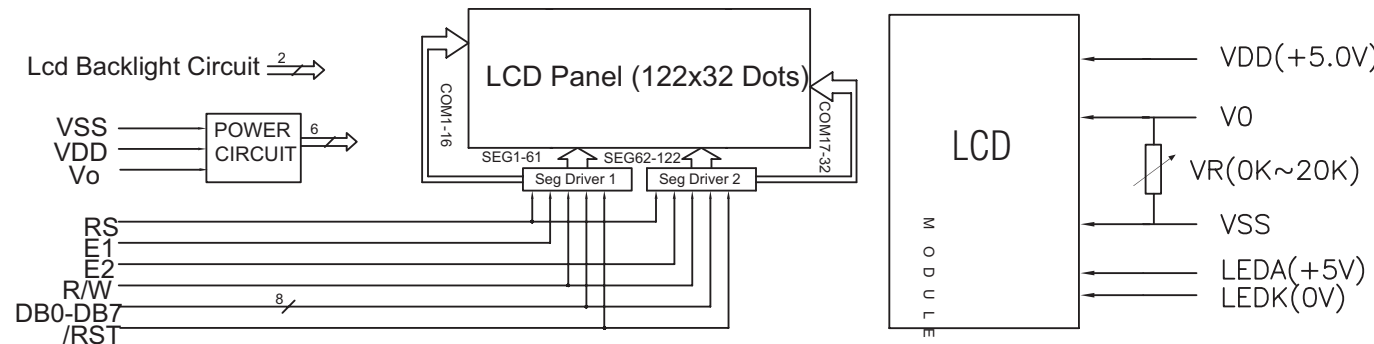
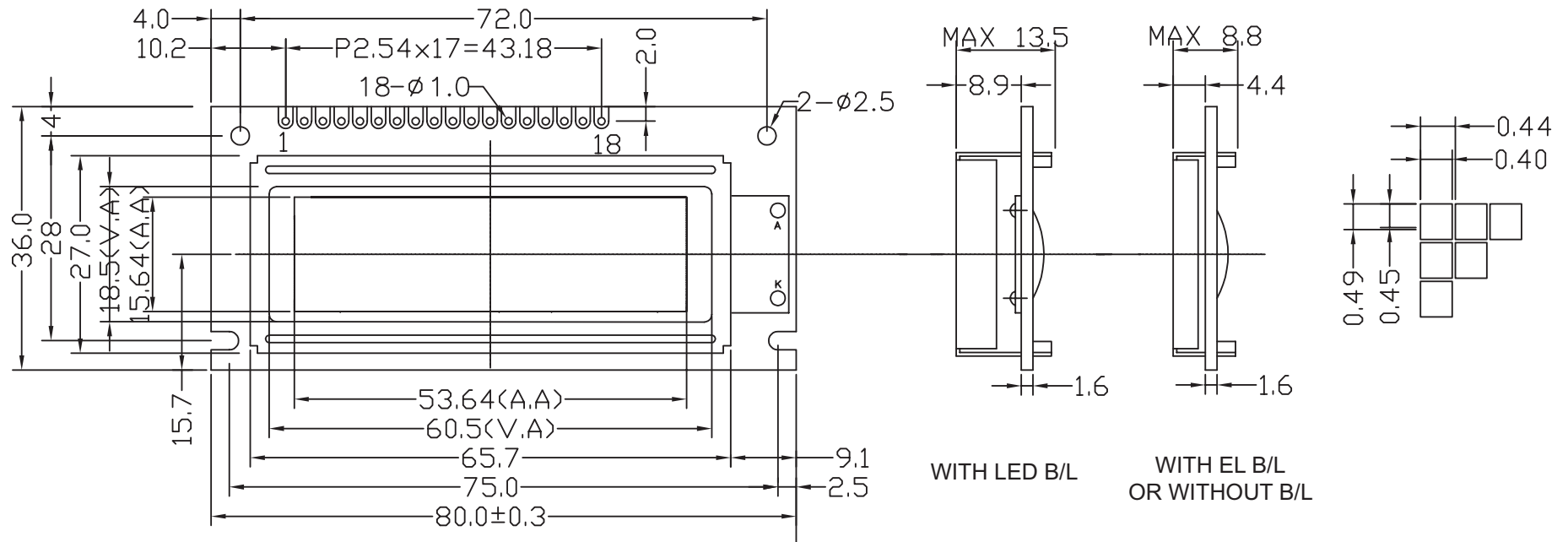


# AMG12232G

Unmarked tolerance ±0.3



Pin No	Symbol	Pin No	Symbol
1	VSS	10	DB2
2	VDD	11	DB3
3	Vo	12	DB4
4	A0	13	DB5
5	E1	14	DB6
6	E2	15	DB7
7	R/W	16	/RST
8	DB0	17	LEDA
9	DB1	18	LEDK