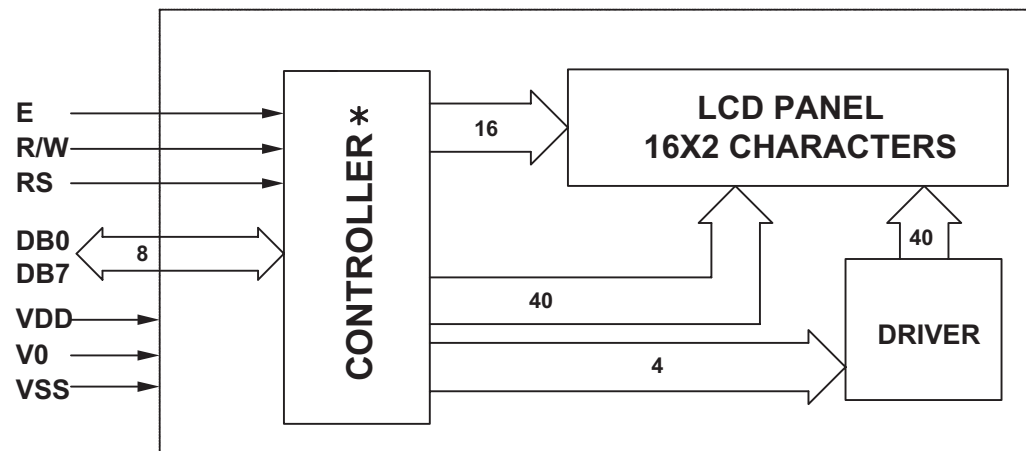
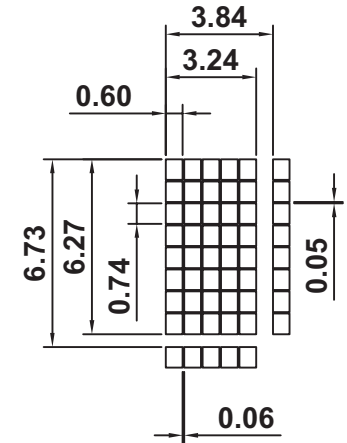
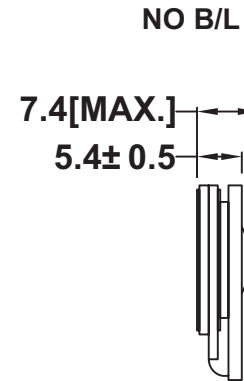
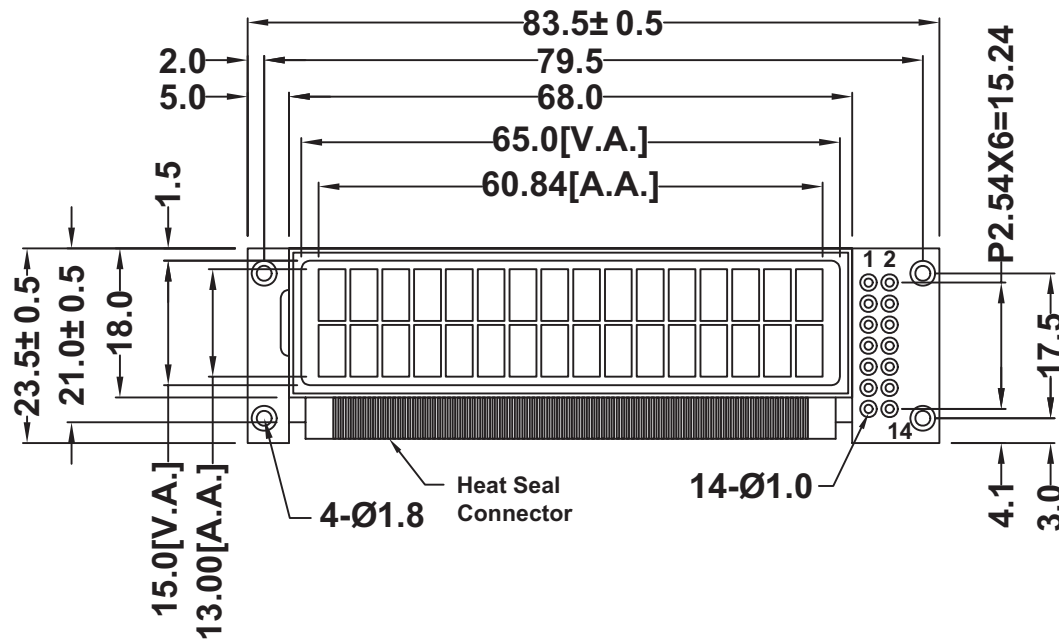


# AMC1602K

Unmarked tolerance ± 0.3



\* S6A0069 OR EQUIVALENT

Pin No	Symbol	Pin No	Symbol
1	VSS	8	DB1
2	VDD	9	DB2
3	V0	10	DB3
4	RS	11	DB4
5	R/W	12	DB5
6	E	13	DB6
7	DB0	14	DB7