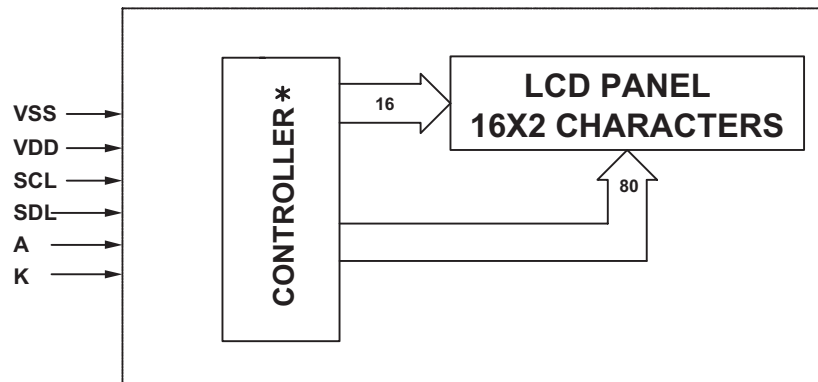
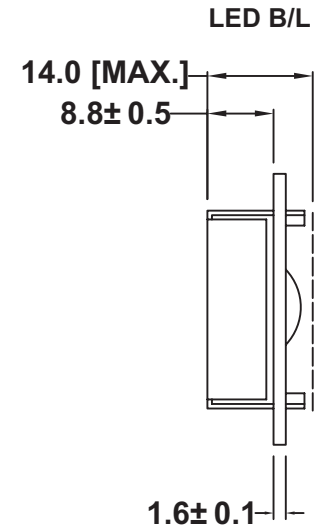
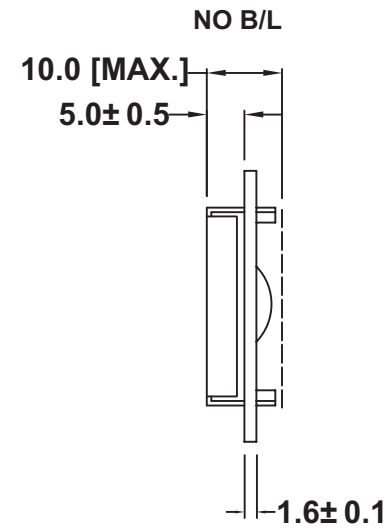
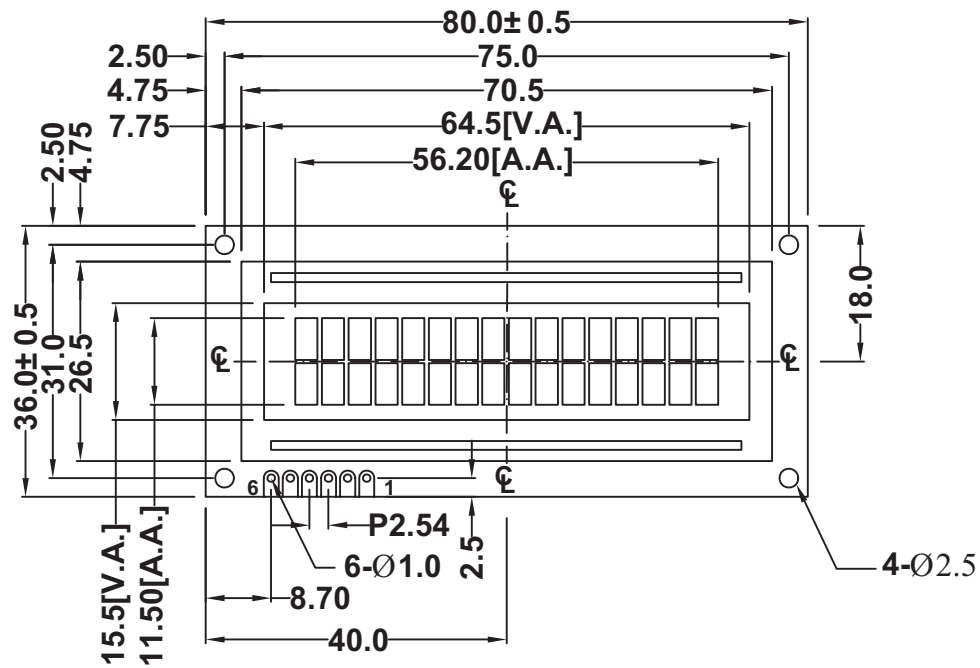
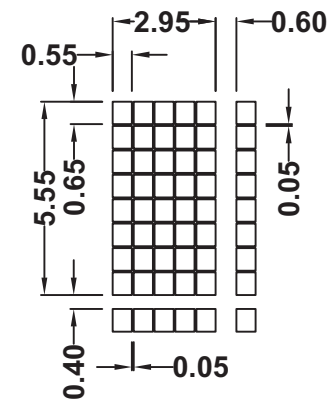


Unmarked tolerance ± 0.3



* PCF2119 OR EQUIVALENT



Pin No	Symbol
1	VSS
2	VDD
3	SCL
4	SDL
5	A
6	K