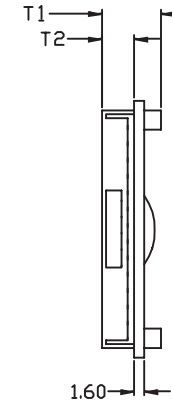
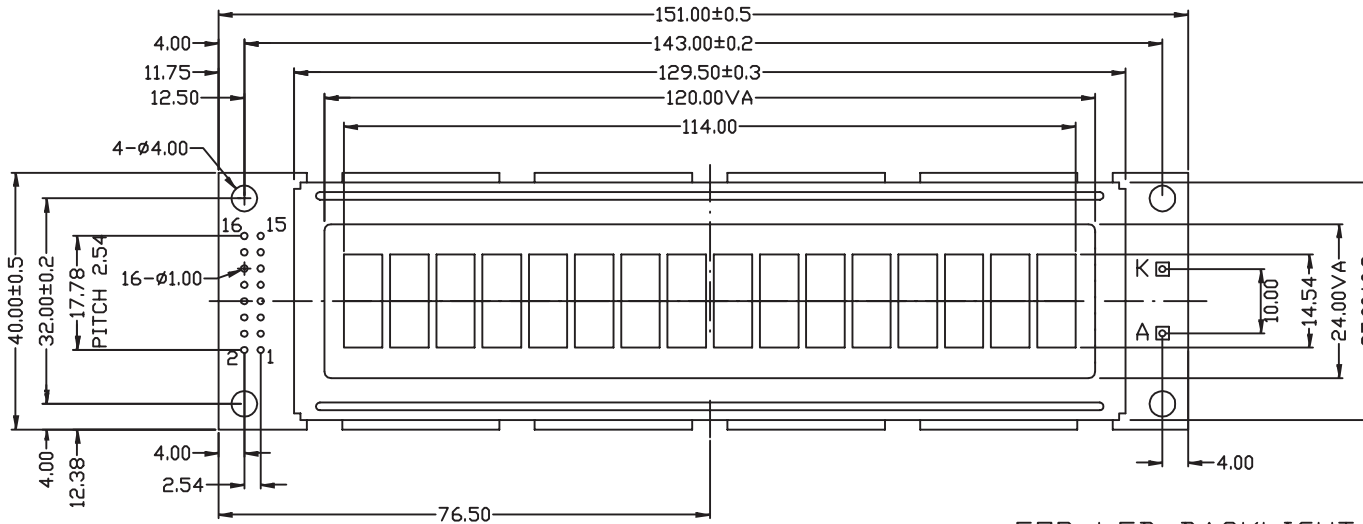


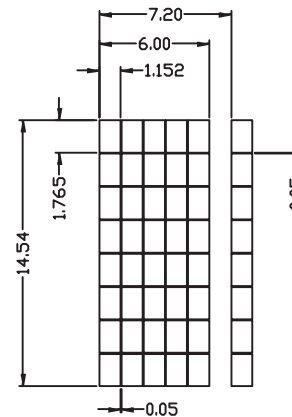
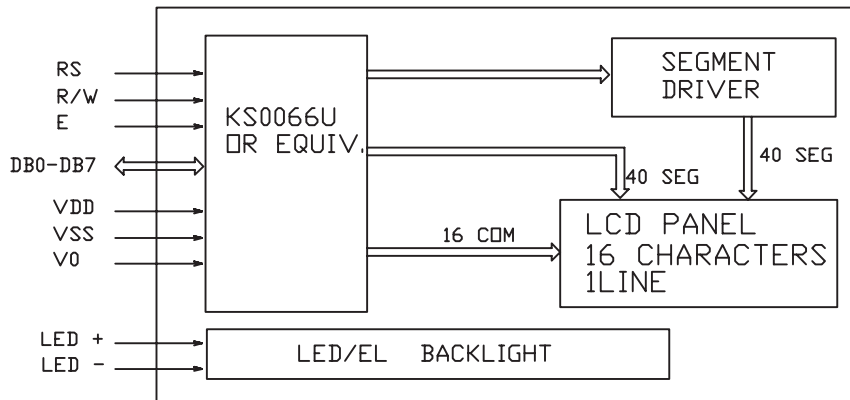
AMC1601D

Unmarked tolerance ± 0.3



* FOR LED BACKLIGHT
T1=14.0MAX T2=9.0±0.3

* FOR EL OR NO BACKLIGHT
T1=10.0MAX T2=5.0±0.3



Pin No	Symbol	Pin No	Symbol
1	VSS	9	DB2
2	VDD	10	DB3
3	Vo	11	DB4
4	RS	12	DB5
5	R/W	13	DB6
6	E	14	DB7
7	DB0	15	LED+
8	DB1	16	LED-