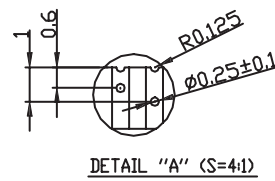
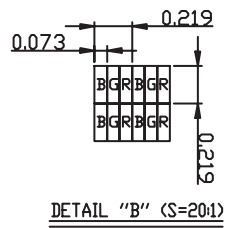
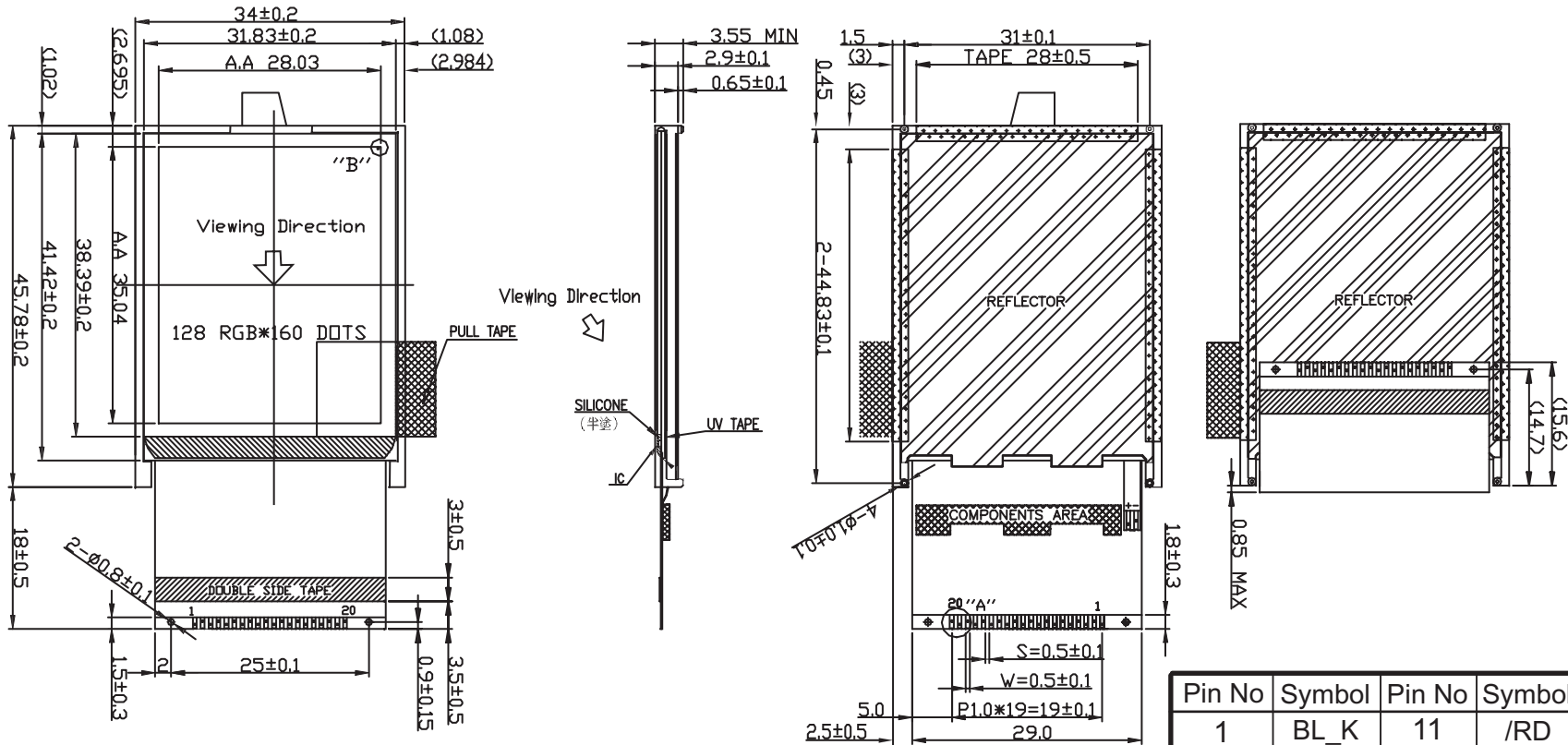


AF128160A-18

Unmarked tolerance ± 0.3



Pin No	Symbol	Pin No	Symbol
1	BL_K	11	/RD
2	BL_A	12	DB7
3	GND	13	DB6
4	VDD	14	DB5
5	NC	15	DB4
6	NC	16	DB3
7	/CS	17	DB2
8	/RESET	18	DB1
9	RS	19	DB0
10	/WR	20	GND