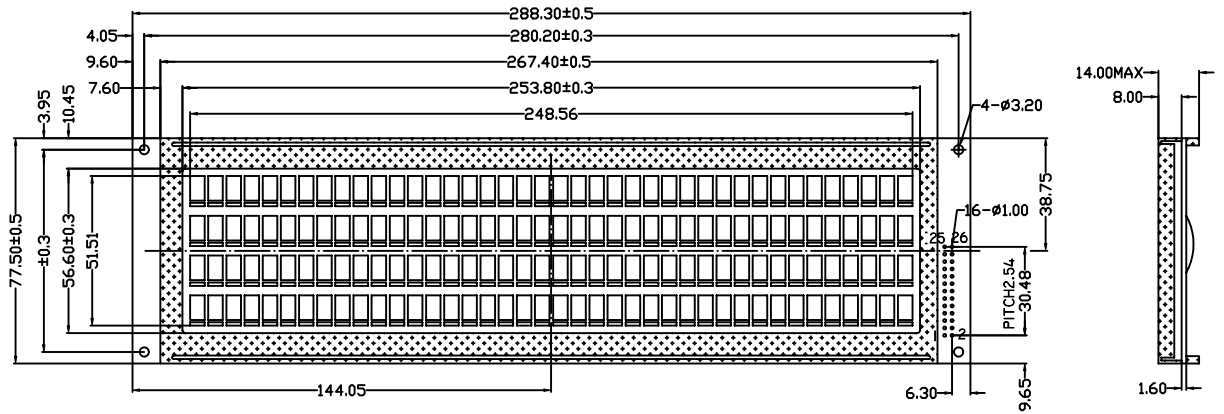
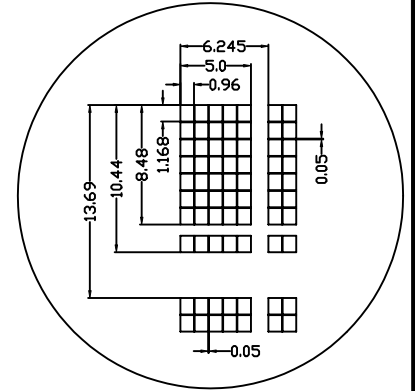
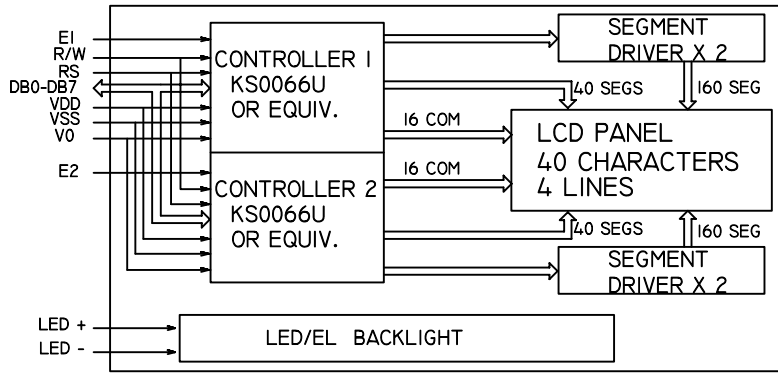




40 CHAR.  
4 LINES



- \* LCD PANEL  
YELLOW STN  
TRANSFLECTIVE
- \* VIEW ANGLE  
6H
- \* CHARACTER  
ENG/JAN
- \* TEMPERATURE  
EXTENDED



MECHANICAL SPECIFICATIONS		
ITEM	SPECIFICATION	UNIT
OVERALL SIZE	288.3W x 77.5H x 14.0T	MM
VIEWING AREA	253.8W x 56.6H	MM
CHARACTERS	40 CHARACTERS x 4 LINES	
CHARACTER SIZE	5.0W x 8.48H	MM
CHARACTER PITCH	6.245W x 13.69H	MM

PINS ASSIGNMENT		
NO.	SYMBOL	DESCRIPTION
1,2,4,6	NC	NO CONNECT
3	E2	ENABLE SIGNAL FOR CONTROLLER 2
5	R/W	READ/WRITE CONTROL
7	RS	DATA/INSTRUCTION SELECT
8,10,12,14,16,18	VSS	POWER SUPPLY
11,13,15,17,19,21,23,25	DB7--DB0	DATA BUS
22,24	VDD	POWER SUPPLY
26	LED+	POWER SUPPLY FOR LED BACKLIGHT (+)

ABSOLUTE MAXIMUM RATING					
ITEM	SYMBOL	MIN	MAX	UNIT	
POWER SUPPLY(LOGIC)	VDD-VSS	-0.3	7.0	V	
POWER SUPPLY(LCD DRV.)	VDD-V0	-0.3	13.5	V	
INPUT VOLTAGE	VI	-0.3	VDD	V	

ELECTRICAL CHARACTERISTICS (VDD=5.0±0.25V, 25C)					
ITEM	SYMBOL	MIN	TYP	MAX	UNIT
VOLTAGE FOR LOGIC	VDD-VSS	4.75	5.0	5.25	V
SUPPLY CURRENT	IDD	-	6.0	7.5	MA
VOLTAGE FOR LCD	VDD-V0	4.7	4.9	5.1	V
INPUT VOLTAGE	H	VIH	2.2	-	VDD
	L	VIL	-0.3	-	0.6
OUTPUT VOLTAGE	H	VoH	2.4	-	V
	L	VoL	-	-	0.4

LED BACKLIGHT SPECIFICATIONS			
ITEM	TYP.	ITEM	TYP.
FORWARD VOLTAGE	4.2V	POWER DISSIPATION	1800MW
FORWARD CURRENT	420MA	EMISSION WAVELENGTH	570NM