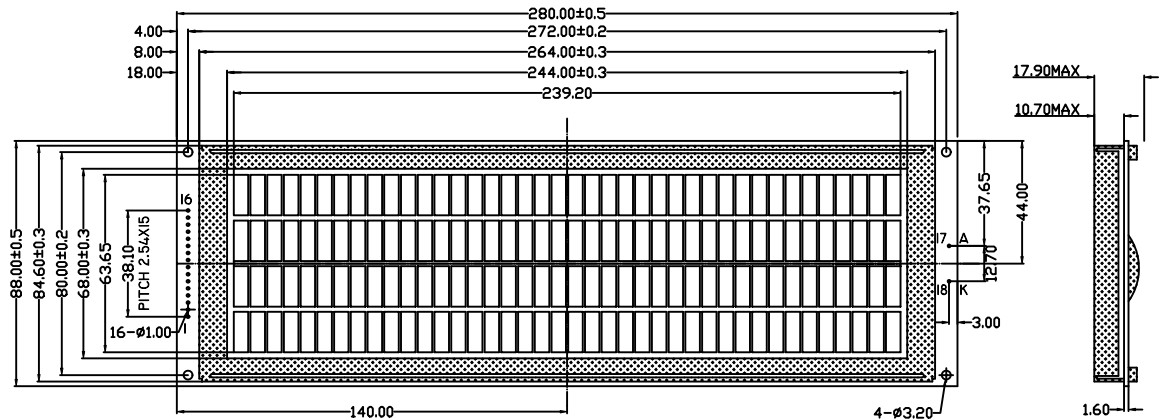
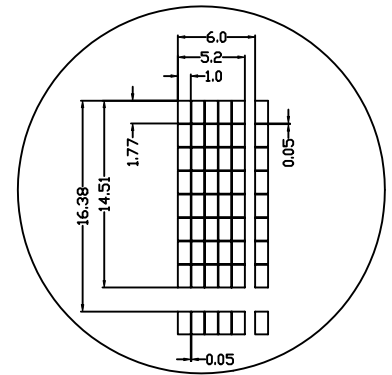
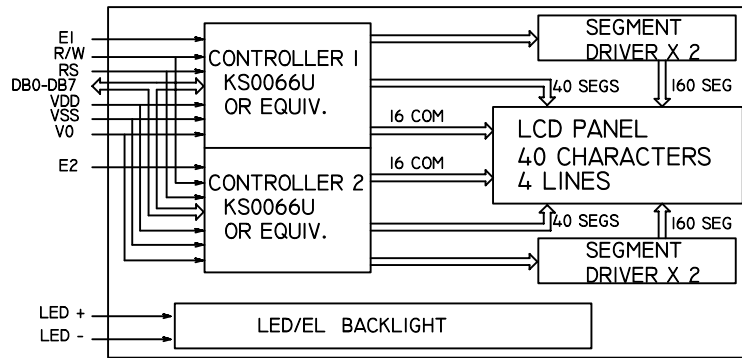




40 CHAR.
4 LINES



- * LCD PANEL
GRAY STN
TRANSFLECTIVE
- * VIEW ANGLE
6H
- * CHARACTER
ENG/JAN
- * TEMPERATURE
EXTENDED



MECHANICAL SPECIFICATIONS

ITEM	SPECIFICATION	UNIT
OVERALL SIZE	280.0W x 88.0H x 14.0T(10.0T)	MM
VIEWING AREA	244.0W x 68.0H	MM
CHARACTERS	40 CHARACTERS x 4 LINES	
CHARACTER SIZE	5.20W x 14.51H	MM
CHARACTER PITCH	6.0W x 16.38H	MM

ABSOLUTE MAXIMUM RATING

ITEM	SYMBOL	MIN	MAX	UNIT
POWER SUPPLY(LOGIC)	VDD-VSS	-0.3	7.0	V
POWER SUPPLY(LCD DRV.)	VDD-V0	-0.3	13.5	V
INPUT VOLTAGE	VI	-0.3	VDD	V

ELECTRICAL CHARACTERISTICS (VDD=5.0±0.25V, 25C)

ITEM	SYMBOL	MIN	TYP	MAX	UNIT
VOLTAGE FOR LOGIC	VDD-VSS	4.75	5.0	5.25	V
SUPPLY CURRENT	IDD	-	6.0	7.5	MA
VOLTAGE FOR LCD	VDD-V0	4.7	4.9	5.1	V
INPUT VOLTAGE	H VIH	2.2	-	VDD	V
	L VIL	-0.3	-	0.6	V
OUTPUT VOLTAGE	H VoH	2.4	-	-	V
	L VoL	-	-	0.4	V

PINS ASSIGNMENT

NO.	SYMBOL	DESCRIPTION
1	VSS	POWER SUPPLY
2	VDD	POWER SUPPLY
3	V0	OPERATING VOLTAGE FOR LCD
4	RS	DATA/INSTRUCTION SELECT
5	R/W	READ/WRITE CONTROL
6	EI	ENABLE SIGNAL FOR CONTROLLER 1
7-14	DB7--DB0	DATA BUS
15	E2	ENABLE SIGNAL FOR CONTROLLER 2
16	NC	NO CONNECT
17	A	POWER SUPPLY FOR LED BACKLIGHT (-)
18	K	POWER SUPPLY FOR LED BACKLIGHT (+)

LED BACKLIGHT SPECIFICATIONS

ITEM	TYP.	ITEM	TYP.
FORWARD VOLTAGE	4.2V	POWER DISSIPATION	11000MW
FORWARD CURRENT	2200MA	EMISSION WAVELENGTH	570NM