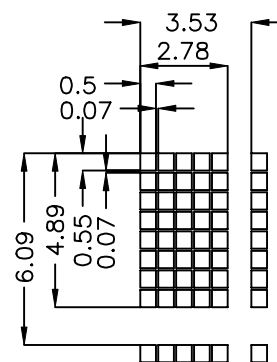
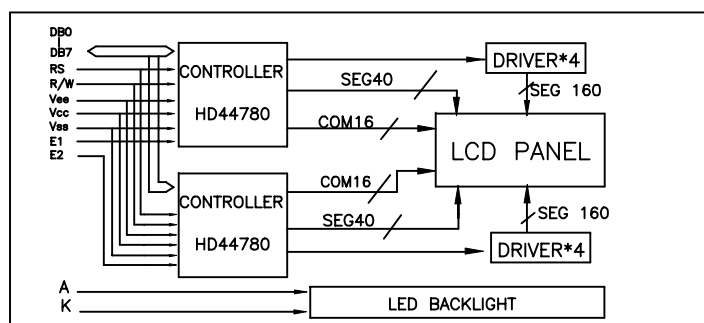
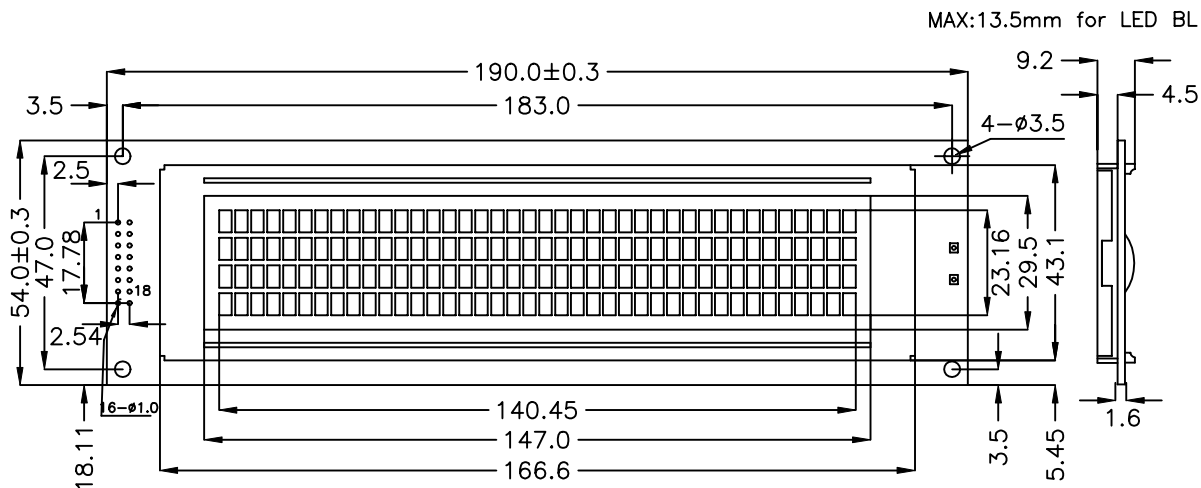


**40 CHAR.
4 LINE**

OPTIONS

- * LCD PANEL
TN or STN
- * View Angle
12H or 6H
- * Character
Eng/Jan
Eng/Rus
Eng/Eur



All dimensions in mm. Tolerance ± 0.3 mm unless otherwise specified.

MECHANICAL SPECIFICATIONS

ITEM	SPECIFICATION	UNIT
Overall Size	190Wx54.0Hx9.2T(BL13.5T)	mm
Viewing Area	147.0Wx29.5H	mm
Character Number	40Wx4H	
Character Size	2.78Wx4.89H	mm
Character Pitch	3.53Wx6.09H	mm
Dot Size	0.5Wx0.55H	mm

PIN ASSIGNMENT

PIN	SYMBOL	FUNCTION
1-8	DB7-DB0	Data Bus Line
9	E1	Enable Signal For KS0066(1)
10	RS	Instruction/Data Register Select
11	R/W	Data Read/Write
12	Vo	Contrast Adjust
13	Vss	Power Supply(GND)
14	Vdd	Power Supply(+5V)
15	E2	Enable Signal For KS0066(2)
16	NC	NC
17-18	A, K	Power Supply for LED B/L

ABSOLUTE MAXIMUM RATINGS

ITEM	SYMBOL	MIN.	MAX.	UNIT
Power Supply (Logic)	Vdd	-0.3	7.0	V
Power Supply (LCD)	Vo	Vdd-15.0	Vdd+0.3	V
Input Voltage	Vi	-0.3	Vdd	V
Operating Temperature	Topr	0	50	°C
Storage Temperature	Tstg	-20	70	°C

ELECTRICAL CHARACTERISTICS(Ta=25°C, Vdd=5V±0.25V)

ITEM	SYMBOL	MIN.	MIN.	MAX.	UNIT
Power Supply(Logic)	Vdd	4.5	5.0	5.5	V
Supply Current	Idd	2.0	—	—	mA
LCD Driving Voltage	Vdd-Vo	—	—	13.0	V
Input Voltage "H"	Vih	2.2	—	Vdd	V
Input Voltage "L"	Vil	—	—	0.6	V
Output Voltage "H"	Voh	2.4	—	—	V
Output Voltage "L"	Vol	—	—	0.4	V

LED BACKLIGHT SPECIFICATIONS

ITEM	TYP.	ITEM	TYP.
Forward Voltage	4.2V	Power Dissipation	2900mW
Forward Current	690mA	Emission Wavelength	570nm