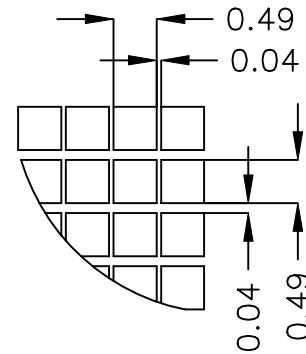
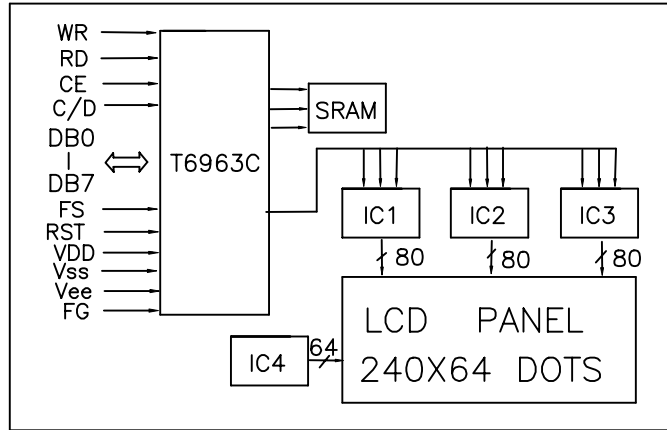
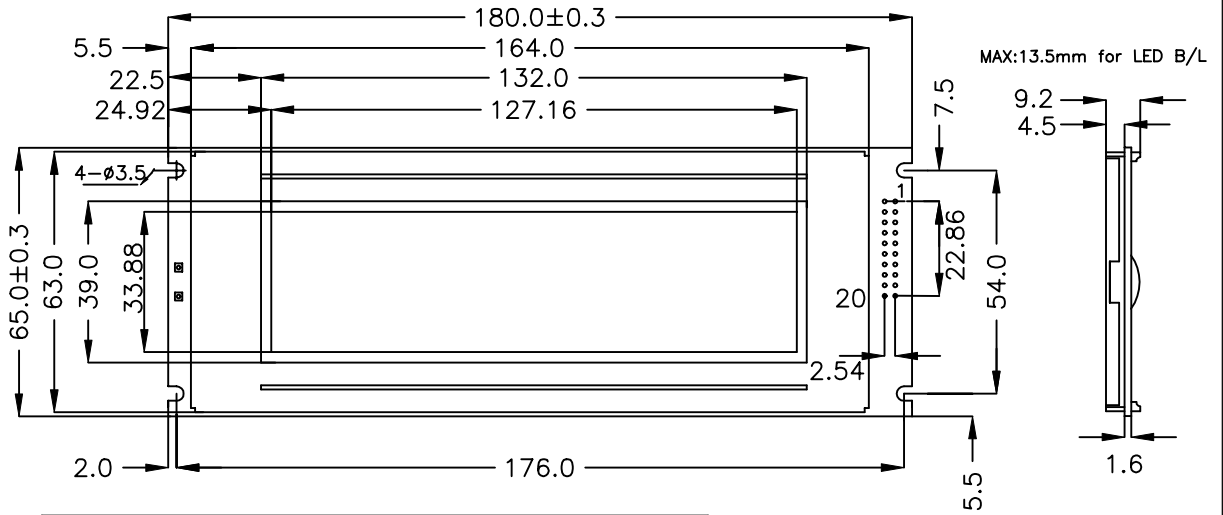


## 240 X 64 DOTS

### OPTIONS

\* LCD PANEL  
Yellow/Green  
or Gray STN

\* View Angle  
12H or 6H



All dimensions in mm. Tolerance +0.3mm unless otherwise specified.

#### MECHANICAL SPECIFICATIONS

ITEM	SPECIFICATION	UNIT
Overall Size	180Wx65.0Hx9.2T(BL13.5T)	mm
Viewing Area	132.0Wx39.0H	mm
Dot Number	240Wx64H	dots
Dot Size	0.49Wx0.49H	mm
Dot Pitch	0.53Wx0.53H	mm

#### PIN ASSIGNMENT

PIN	SYMBOL	FUNCTION
1	FG	Frame Ground
2	Vss	Power Supply(GND)
3	Vdd	Power Supply(+5V)
4	Vo	Operating Voltage for LCD
5	$\overline{WR}$	Data Write into T6963C
6	$\overline{RD}$	Data Read from T6963C
7	$\overline{CE}$	Chip Enable
8	C/ $\overline{D}$	Command/Data Selection
10	$\overline{RST}$	Reset
11-18	DB0-DB7	Data Bus Line
19	FS	Font Selection
9,20	NC	No Connection

#### ABSOLUTE MAXIMUM RATINGS

ITEM	SYMBOL	MIN.	MAX.	UNIT
Power Supply (Logic)	Vdd	-0.3	7.0	V
Power Supply (LCD)	Vo	Vdd-15.0	Vdd+0.3	V
Input Voltage	Vi	-0.3	Vdd	V
Operating Temperature	Topr	0	50	°C
Storage Temperature	Tstg	-20	70	°C

#### ELECTRICAL CHARACTERISTICS(Ta=25°C, Vdd=5V±0.25V)

ITEM	SYMBOL	MIN.	MIN.	MAX.	UNIT
Power Supply(Logic)	Vdd	4.5	5.0	5.5	V
Supply Current	Idd	2.0	—	—	mA
LCD Driving Voltage	Vdd-Vo	—	—	13.0	V
Input Voltage "H"	Vih	2.2	—	Vdd	V
Input Voltage "L"	Vil	—	—	0.6	V
Output Voltage "H"	Voh	2.4	—	—	V
Output Voltage "L"	Vol	—	—	0.4	V

#### LED BACKLIGHT SPECIFICATIONS

ITEM	TYP.	ITEM	TYP.
Forward Voltage	4.2V	Power Dissipation	4200mW
Forward Current	1000mA	Emission Wavelength	570nm