

GRAPHIC TYPE LCD MODULES



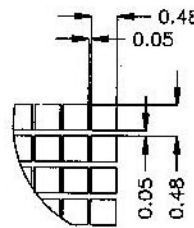
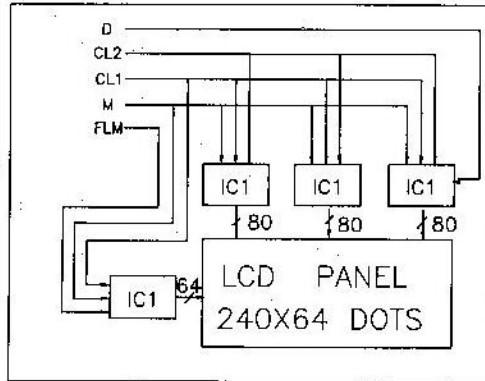
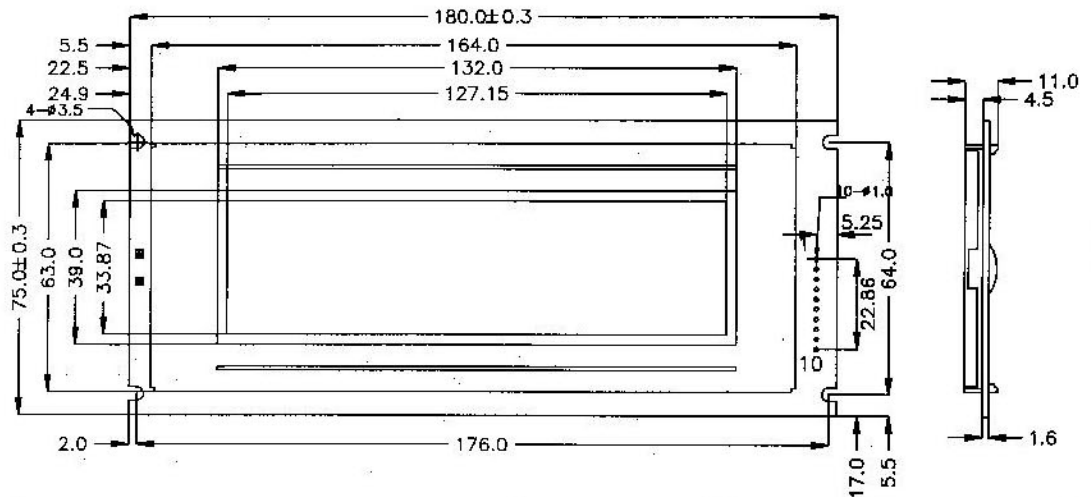
OD-DM24064A

*Display Format
240x64 dots

*Driving Method
1/64duty

*LCD Type
Yellow or gray STN

*Backlight
LED/4.2VDC
EL/100VAC,400Hz



Pin	Symbol	Description
1	D	Serial Data
2	FLM	Frame Signal
3	M	for AC driving
4	CL1	CL for Latching
5	CL2	CL for Shifting
6	NC	--
7	Vdd	Power supply
8	Vss	Ground
9	Vee	Power supply
10	VO	Contrast adjust

Absolute Maximum Ratings

ITEM	SYMBOL	CONDITION	STANDARD VALUE		UNIT
			MIN	MAX	
Supply Voltage for Logic	Vcc-Vss	Ta=25 °C	0	6.7	V
Supply Voltage for lcd	Vcc-Vee		-	18.0	V
Input Voltage	V1		-0.3	Vcc	V
Operating Temperature	Top	—	0	40	°C
storage Temperature	Tstg	—	-20	60	°C

Electrical Characteristics (Ta=25C,VDD=5.0V±0.25V,VEE=-10.0V)

ITEM	SYMBOL	CONDITION	STANDARD VALUE			UNIT	
			MIN	TYP	MAX		
Supply Voltage for	Logic	Vcc-Vss	4.75	5.0	5.25	V	
	LCD	Vcc-Vee	14.0	15.0	16.0	V	
Supply Current for	Logic	Idd	-	7.0	-	mA	
	LCD	Iee	-	7.0	-	mA	
Operating Voltage for Lcd (Recommended)		Vcc-VO	0°C	-	12.5	-	V
			25°C	-	11.5	-	V
			40°C	-	10.5	-	V
Input Voltage	H Level	VIH	H Level	0.7Vcc	-	Vcc	V
	L Level	VIL	L Level	0	-	0.3Vcc	V