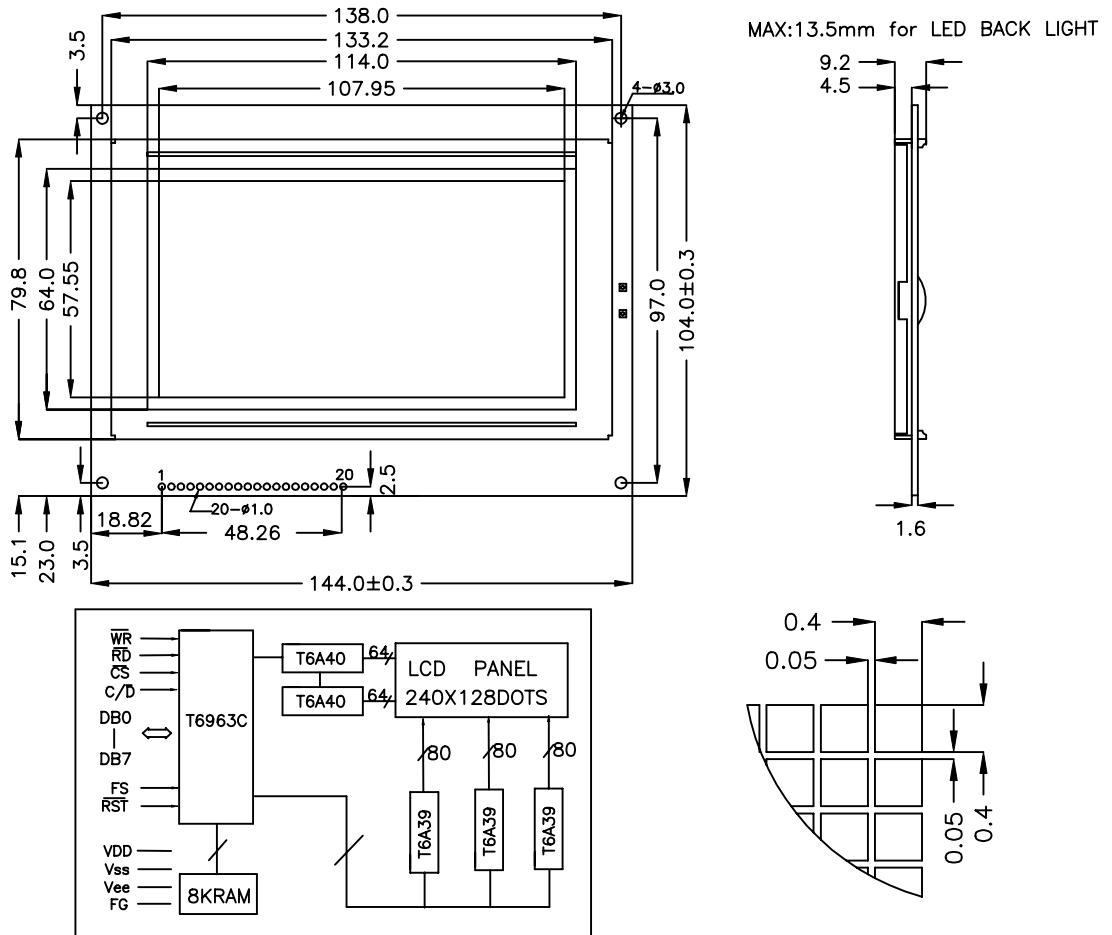


240 X128 DOTS

OPTIONS

- * LCD PANEL
Yellow/Green
or Gray STN
- * View Angle
12H or 6H



All dimensions in mm. Tolerance ± 0.3 mm unless otherwise specified.

MECHANICAL SPECIFICATIONS

ITEM	SPECIFICATION	UNIT
Overall Size	144Wx104Hx9.2T(BL13.5T)	mm
Viewing Area	114.0Wx64.0H	mm
Dot Number	240Wx128H	dots
Dot Size	0.4Wx0.4H	mm
Dot Pitch	0.45Wx0.45H	mm

PIN ASSIGNMENT

PIN	SYMBOL	FUNCTION
1	FG	Frame Ground
2	Vss	Power Supply(GND)
3	Vdd	Power Supply(+5V)
4	Vo	Operating Voltage for LCD
5	\overline{WR}	Data Write into T6963C
6	\overline{RD}	Data Read from T6963C
7	\overline{CE}	Chip Enable
8	C/D	Command/Data Selection
9	\overline{RST}	Reset
10-17	DB0-DB7	Data Bus Line
18	FS	Font Selection
19-20	A, K	Power Supply for LED BL

ABSOLUTE MAXIMUM RATINGS

ITEM	SYMBOL	MIN.	MAX.	UNIT
Power Supply (Logic)	Vdd	-0.3	7.0	V
Power Supply (LCD)	Vo	Vdd-15.0	Vdd+0.3	V
Input Voltage	Vi	-0.3	Vdd	V
Operating Temperature	Topr	0	50	°C
Storage Temperature	Tstg	-20	70	°C

ELECTRICAL CHARACTERISTICS(Ta=25°C, Vdd=5V±0.25V)

ITEM	SYMBOL	MIN.	MIN.	MAX.	UNIT
Power Supply(Logic)	Vdd	4.5	5.0	5.5	V
Supply Current	Idd	2.0	—	—	mA
LCD Driving Voltage	Vdd-Vo	—	—	13.0	V
Input Voltage "H"	Vih	2.2	—	Vdd	V
Input Voltage "L"	Vil	—	—	0.6	V
Output Voltage "H"	Voh	2.4	—	—	V
Output Voltage "L"	Vol	—	—	0.4	V

LED BACKLIGHT SPECIFICATIONS

ITEM	TYP.	ITEM	TYP.
Forward Voltage	4.2V	Power Dissipation	4350mW
Forward Current	1035mA	Emission Wavelength	570nm