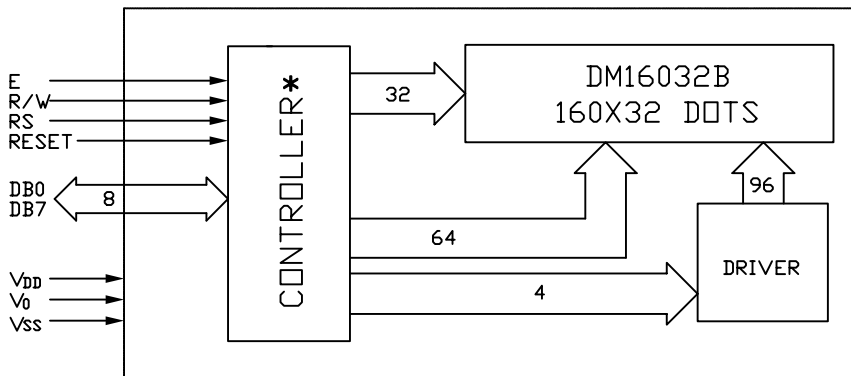
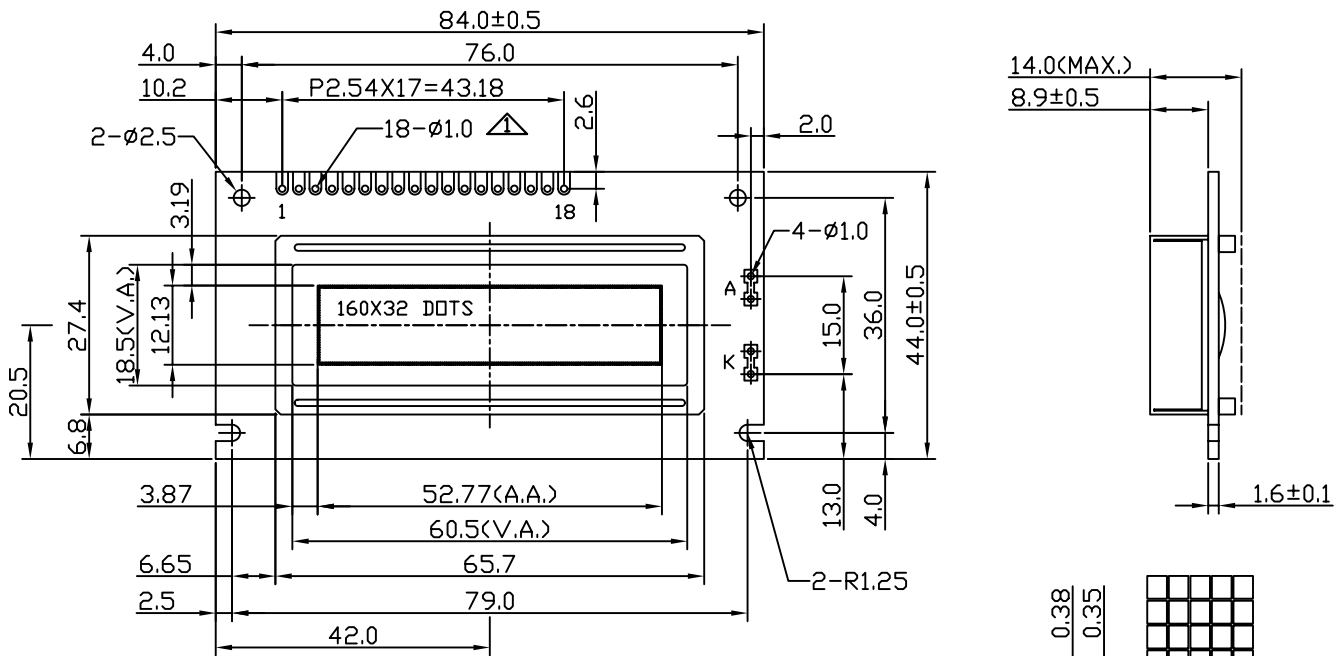


DD-DM16032B

ORIENT DISPLAY



* ST7920 OR EQUIVALENT

NOTE:

1. STN, YELLOW-GREEN, POSITIVE, TRANSFLECTIVE
2. DRIVE METHOD : 1/32 DUTY , 1/6 BIAS
3. LCD DRIVE VOLTAGE: 5.0V
4. OPERATING TEMP. : 0~50°C
5. STORAGE TEMP. : -10~60°C
6. VIEWING ANGLE: 6 O'CLOCK
7. LOGIC VOLTAGE: 5.0V
8. LCD DRIVER: ST7920+ST7921
9. 160X32 DOTS, 10X2 CHINESE CHARACTERS, 20X2 ENGLISH/EUROPE CHARACTERS
10. WITH YELLOW-GREEN LED BACKLIGHT.

16 PIN CONNECTION	1	2	3	4	5	6	7	8	9	10	11	12	13	14	15	16	17	18
	VSS	VDD	V0	RS	R/W	E	DB0	DB1	DB2	DB3	DB4	DB5	DB6	DB7	NC	RESET	LED(+)	LED(-)